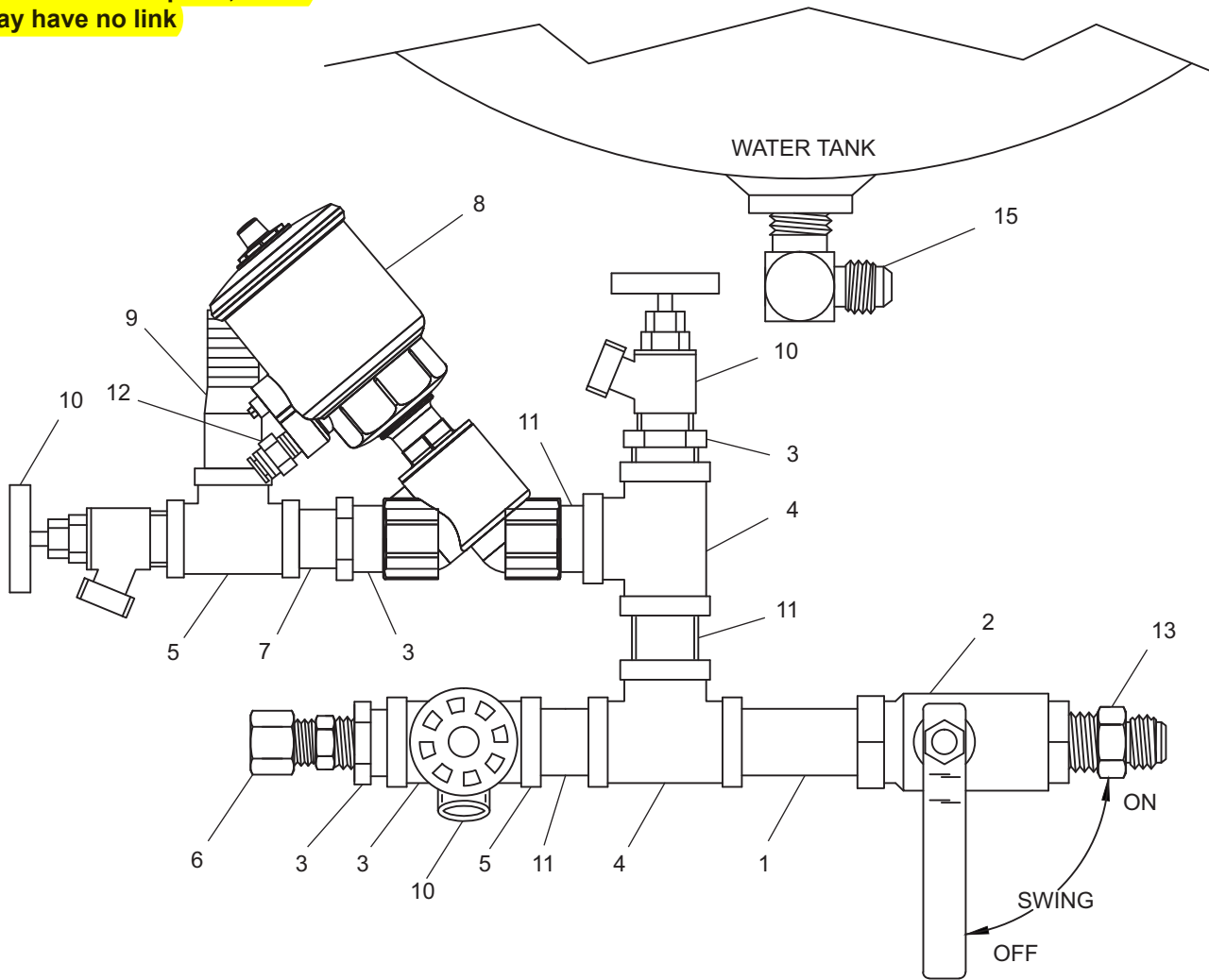


Click number attached to the part or the part numbers on the next pages to link to other parts, some parts may have no link



REF	PART NO.	DESCRIPTION	QTY	REF	PART NO.	DESCRIPTION	QTY
	<b>29255</b>	<i>Water Tank Plumbing &amp; Axle ASSY. (Used On FDB5000, All FD6000 &amp; 7000)</i>					
1	<a href="#">15116</a>	Nipple, 1.0" NPT X 3.0" .....	1	11	<a href="#">15120</a>	Close Nipple, 1.0" NPT .....	3
2	<a href="#">11926</a>	Valve, 1.0" NPT, Ball .....	1	12	<a href="#">28133</a>	Fitting, 1/8" NPT X 1/4" Tube PTC.....	1
3	<a href="#">15156</a>	Bushing, 1.0" NPT X 3/4" NPT .....	4	13	<a href="#">12128</a>	Adaptor, 1.0" NPT X -16 JIC Male .....	1
4	<a href="#">14971</a>	Tee, 1.0" NPT .....	2	14*		Hose -16 X 20" X 16	
5	<a href="#">14970</a>	Tee, 3/4" NPT .....	2			JIC ST. X 16 JIC ST. ....	1
6	<a href="#">11776</a>	Fitting, 3/4" NPT X 3/4" Tube .....	1	15	<a href="#">12149</a>	Adaptor, 1.0" NPT X -1 6 JIC 90° .....	1
7	<a href="#">15140</a>	Close Nipple, 3/4" NPT .....	1	16*	<a href="#">20808</a>	Bracket, Water Valve ASSY. ....	1
8	<a href="#">30346</a>	Valve, Water, Air Pilot, 1.0" .....	1	17*	<a href="#">20579</a>	U Bolt 1/4" X 1.25 Pipe .....	2
9	<a href="#">11952</a>	BARB, Hose Nipple, 3/4" NPT .....	1	18*	<a href="#">19352</a>	Locknut 1/4" .....	2
10	<a href="#">14218</a>	Valve, 3/4" NPT, Boiler, Water .....	3	19*	<a href="#">30464</a>	Water Valve Service Kit.....	AR

\* ITEMS 14, 16, 17, 18 & 19 ARE NOT SHOWN IN THE ILLUSTRATION

WHEN ORDERING PARTS, SPECIFY MODEL NUMBER, SERIAL NUMBER AND DESCRIPTION OF PARTS REQUIRED

	<b>WATER TANK PLUMBING, REMOTE MOUNT</b>	DATE: Released 01-2016	<b>GROUP 11</b>
		MODEL: FD	
		PAGE: 11.6	