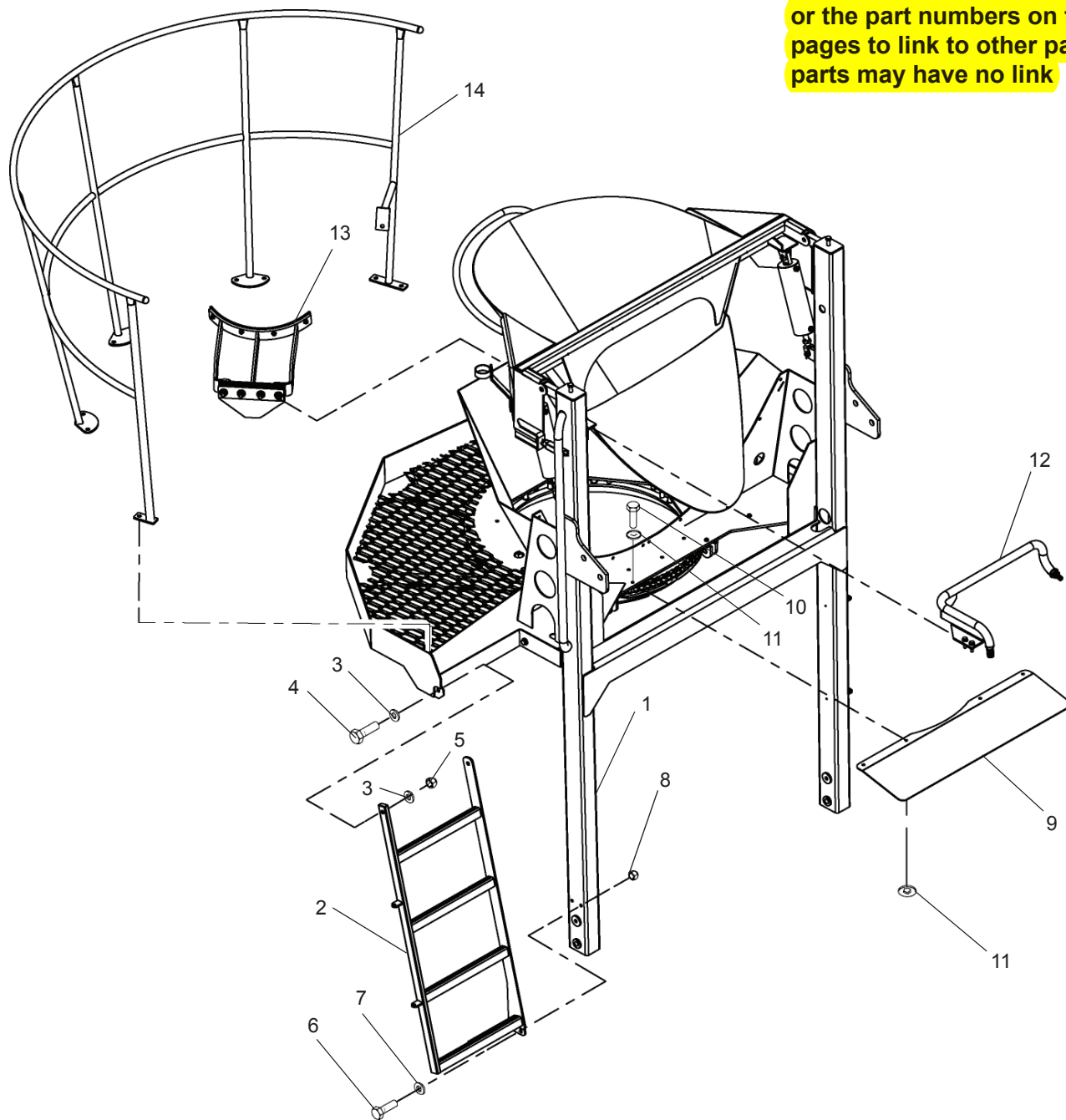


Click number attached to the part or the part numbers on the next pages to link to other parts, some parts may have no link



REF	PART NO.	DESCRIPTION	QTY	REF	PART NO.	DESCRIPTION	QTY
1	33655	WDMT, Upright, STD Cab, Full Wrap	1	9	33385	Guard, Upright Cab Shield, 2013	1
	33871	WDMT, Upright, WRKSPC, Cab Full Wrap	1	10	19029	Bolt, HHCS, 1/4"-20 X 1", SS	4
2	33375	WDMT, Upright Ladder, 2013	1	11	19053	Washer, Flat, 1/4 GR2 Z/P	8
3	19093	Washer, Flat, 1/2 A325	4	12	33541	ASSY, Barrel Water Injection Tube	1
4	19114	Bolt, HHCS, 1/2"-13 X 1-3/4", PF, GR8	2	13	34507	ASSY, HYD Chute Rest, Bolt-On, STD	1
5	19354	Nut, Auto Style, 1/2-13, GRC	2		34527	ASSY, HYD Chute Rest, Bolt-On, PAVER	1
6	19105	Bolt, HHCS, 3/8-16 X 1, GR8	2	14	33670	WDMT, Handrail, Full Wrap, Manual, MY13	1
7	19045	Washer, Flat, 3/8", GR8	2		33671	WDMT, Handrail, Full Wrap, HYDRLC, MY13	1
8	19353	Nut, Lock, Top, 3/8"-16, ZP, GRC	2				

WHEN ORDERING PARTS, SPECIFY MODEL NUMBER, SERIAL NUMBER AND DESCRIPTION OF PARTS REQUIRED

	<h2>UPRIGHT ASSEMBLY</h2>	DATE: Released 01-2016	GROUP 9
		MODEL: FD	
		PAGE: 9.1	