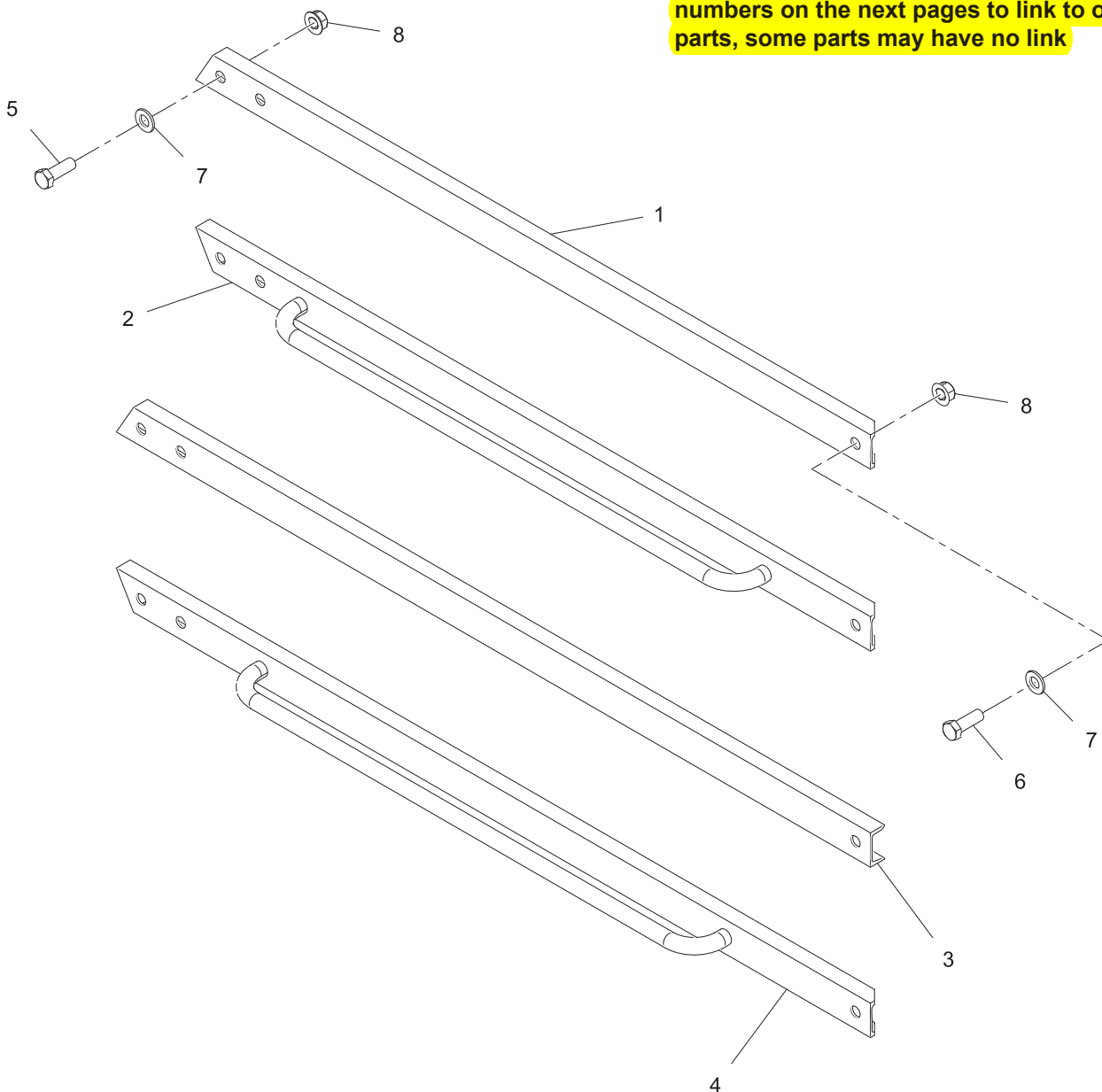


Click number attached to the part or the part numbers on the next pages to link to other parts, some parts may have no link



REF	PART NO.	DESCRIPTION	QTY	REF	PART NO.	DESCRIPTION	QTY
1	33438	WDMT, Upright SUPRT CHNL, 0" EXT, 2013, CBSD..... 1 (Used on FD3000, FD4000, FD5000GL)	1	4	33481	WDMT, Upright SUPRT CHNL, 9" EXT, 2013, STSD..... 1 (Used on FDB4000, FD6000MS FDB5000, FDB6000, FDB7000)	1
2	33479	WDMT, Upright SUPRT CHNL, 0" EXT, 2013, STSD ..... 1 (Used on FD3000, FD4000, FD5000GL)	1	5	35282	Bolt, HHCS, 7/8-9 X 2, GR8..... 4	4
				6	27685	Bolt, HHCS, 7/8-9 X 2-1/2, GR8..... 2	2
				7	23277	Washer, Fender, 7/8" (2.5), ZP..... 6	6
				8	34030	Nut, Flange, 7/8"-9, GR. G, PHOS/Oil ..... 6	6
3	33452	WDMT, Upright SUPRT CHNL, 9" EXT, 2013, CBSD..... 1 (Used on FDB5000, FDB6000, FDB7000, FDB4000, FD6000MS)	1				

WHEN ORDERING PARTS, SPECIFY MODEL NUMBER, SERIAL NUMBER AND DESCRIPTION OF PARTS REQUIRED

	<h2>UPRIGHT SUPPORTS</h2>	DATE: Released 01-2016	<b>GROUP</b>  <b>10</b>
		MODEL: FD	
		PAGE: 10.3	