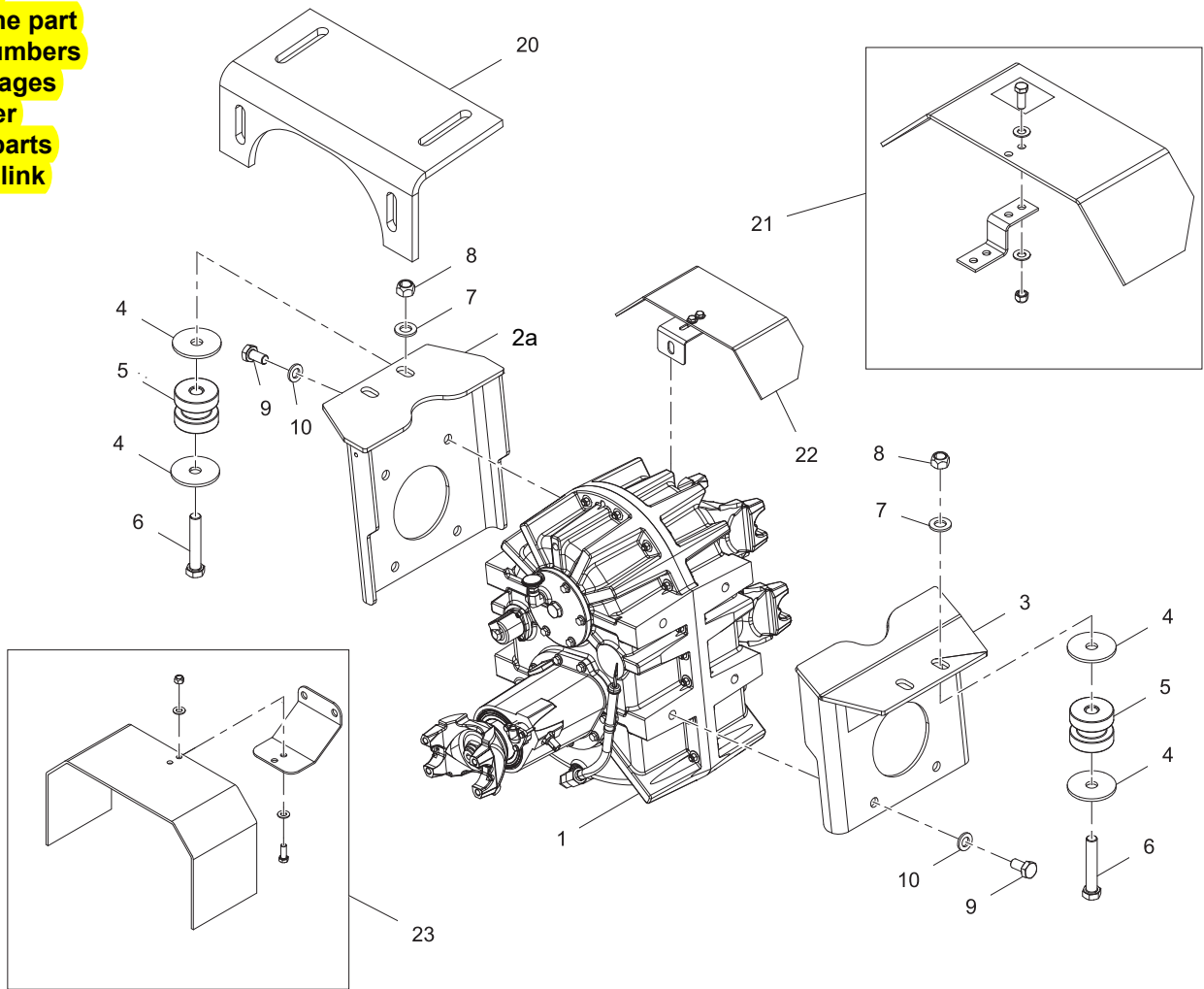


Click number attached to the part or the part numbers on the next pages to link to other parts, some parts may have no link



REF	PART NO.	DESCRIPTION	QTY	REF	PART NO.	DESCRIPTION	QTY
1	12905	T-Case, Cushman, 2SPD, 1:1.....	1	8	40051	Nut, Lock, Top, 7/8"-9, ZP, GRC	4
2	33495	WDMT, T-Case MNT, Cushman CB SD, MY13 (Used On FD3000, FD4000, FDB4000, FD000GL).....	1	9	19200	Bolt, HHCS, 3/4-10 X 1-1/2, GR8.....	8
	33796	WDMT, Bracket, T-Case, Straight (Used On FD6000MS, FDB5000, FDB6000, FDB7000).....	1	10	19039	Washer, Flat, 3/4 A325	8
3	33497	WDMT, T-Case MNT, Cushman RDS, MY13 (Used On FD3000, FD4000, FDB4000, FD000GL).....	1	11*	19557	Valve, DBL Check W/Leg	1
	33796	WDMT, Bracket, T-Case, Straight, (Used On FD6000MS, FDB5000, FDB6000, FDB7000)	1	12*	19127	Bolt, HHCS, 1/4"-20 X 1", GR8.....	1
4	29368	Washer, SNUB, Isolator, Engine, Rear, 07	8	13*	19053	Washer, Flat, 1/4", SAE, ZP	2
5	29369	Isolator, Mount, Engine, Rear, Tier 3.....	4	14*	19352	Nut, Lock, Top, 1/4"-20, ZP, GRC	1
6	30344	Bolt, HHCS, 7/8"-9 X 5", PF, GR8.....	4	15*	28607	FTG, PTC, 90° EL, 3/8"NPT X 1/4"Tube	2
7	19075	Washer, Structural, 7/ 8", ASTM, A325, PF	4	16*	33654	FTG, Tee, 3/8" NPT X 1/4" X 1/4" Tube PTC	1
				17*	13080	FTG, Branch T, Male, 3/8" NPT X 3/8" FPT	1
				18*	16915	Strap, Driveline	6
				19*	19345	Bolt, C-Bore W/Pitch, 1/2-20 X 1"	12
				20	11241	BRKT, Mount, Center Bearing	1
				21	26965	ASSY, Grease Shield, Rear.....	1
				22	34526	ASSY, Grease Shield, T-Case, 2013..	1
				23	35343	ASSY, Grease Shield, Transmission ..	1

*ITEMS 11 TO 19 ARE NOT SHOWN IN THE ILLUSTRATION

WHEN ORDERING PARTS, SPECIFY MODEL NUMBER, SERIAL NUMBER AND DESCRIPTION OF PARTS REQUIRED

	<h2>TRANSFER CASE, CUSHMAN</h2>	DATE: Released 01-2016	GROUP <h1>5</h1>
		MODEL: FD	
		PAGE: 5.1	