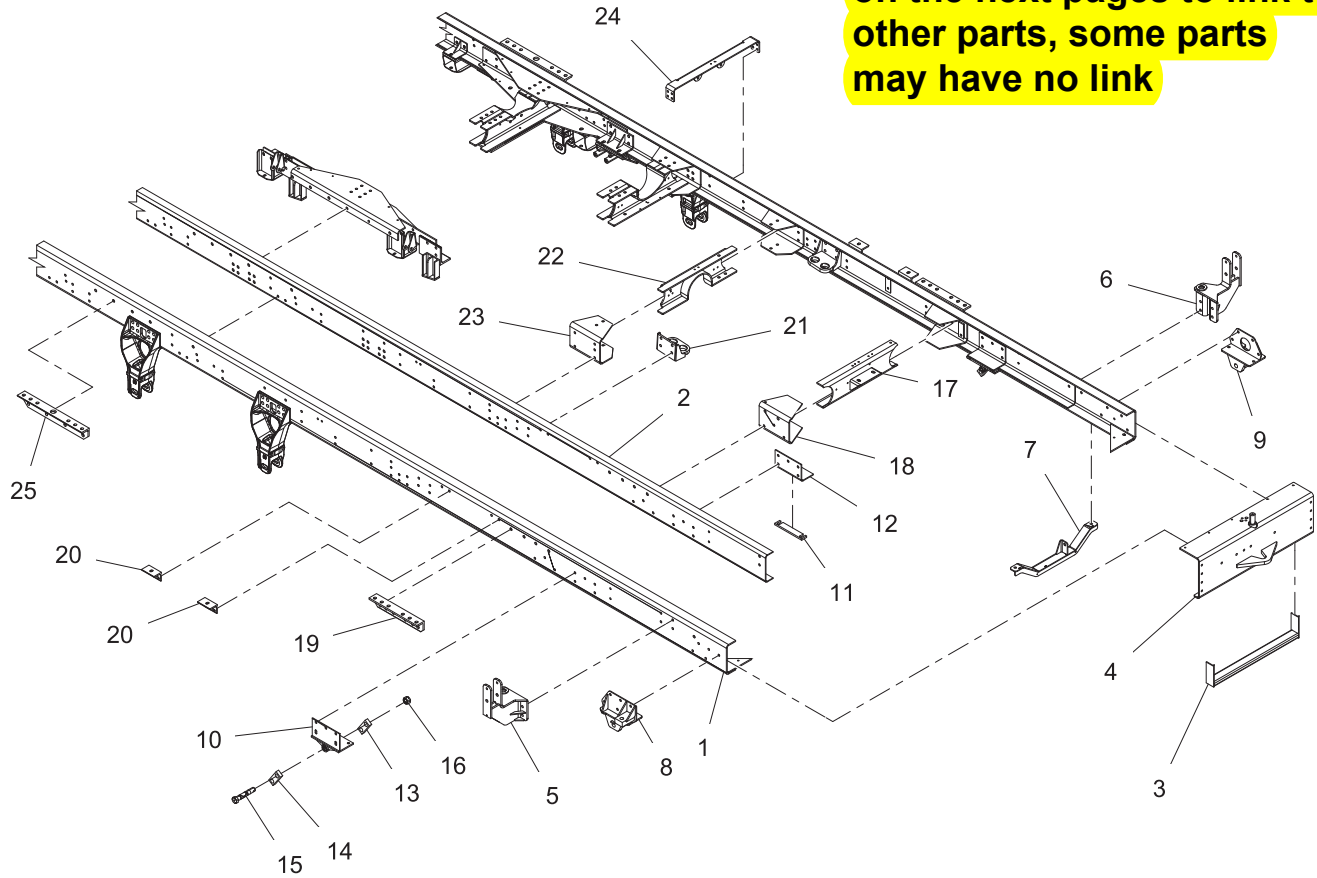


Click number attached to the part or the part numbers on the next pages to link to other parts, some parts may have no link



REF	PART NO.	DESCRIPTION	REF	PART NO.	DESCRIPTION
1	<a href="#">11200</a>	Rail, Frame, 35'4"	13	<a href="#">13131</a>	Block, Shackle, Inside, Front Axle
2	<a href="#">13412</a>	Liner, Frame	14	<a href="#">13130</a>	Block, Shackle, Outside, Front Axle
3	<a href="#">34534</a>	WDMT, Weld-On FRT Bumper Under Ride	15	<a href="#">13119</a>	Pin, Spring, Front Axle
4	<a href="#">33742</a>	WDMT, X-MEMB #1, No Tow Bar	16	<a href="#">24246</a>	Nut, Slotted HEX, 1-1/4"-7, PF
	<a href="#">33743</a>	WDMT, X-MEMB #1, Single Short W/Slot	17	<a href="#">23211</a>	WDMT, X-Member, #2
	<a href="#">33744</a>	WDMT, X-MEMB #1, Double Short W/Hole	18	<a href="#">34938</a>	12" Fishplate With 5" Shim
5	<a href="#">33483</a>	WDMT, Upright Support, CBSD, MY13	19	<a href="#">18291</a>	Angle, Front PED, Hold Down, Lower
6	<a href="#">33484</a>	WDMT, Upright Support, RDS, MY13	20	<a href="#">24288</a>	Skid, Water Tank, 3" (Angle)
7	<a href="#">33623</a>	WDMT, X-Member, Steering Gear, MY13	21	<a href="#">33493</a>	WDMT, BRKT, Transfer Case, MY13
8	<a href="#">33622</a>	WDMT, Front Spring Hanger, CBSD, MY13	22	<a href="#">30191</a>	WDMT, #3 Cross Member W/Frame Liner
9	<a href="#">33532</a>	WDMT, Front Spring Hanger, RDS, MY13		<a href="#">30190</a>	WDMT, #3 Cross Member, W/O Frame Liner
10	<a href="#">24164</a>	WDMT, Rear Spring Hanger, Taper Leaf		<a href="#">11384</a>	X-Member, #3 W/Cutout
11	<a href="#">24545</a>	Spacer, Rear Spring Hanger (WO/Liner)	23	<a href="#">33490</a>	Fishplate, HLM, W/Holes
	<a href="#">33999</a>	Shim, Rear Spring Hanger, 5/8" (W/Liner)		<a href="#">11226</a>	Fishplate, Cross Member, #2, 3 & 4
12	<a href="#">11230</a>	Fishplate, Rear Spring Hanger (W/Liner)	24	<a href="#">21688</a>	Bracket, Carrier Bearing
	<a href="#">23759</a>	Fishplate, RR Spring Hanger (No Liner)	25	<a href="#">12778</a>	Lower Pedestal Hold Down

WHEN ORDERING PARTS, SPECIFY MODEL NUMBER, SERIAL NUMBER AND DESCRIPTION OF PARTS REQUIRED

	<h2>FRAME COMPONENTS</h2>	DATE: Released 01-2016	<b>GROUP</b>  <b>1</b>
		MODEL: FD	
		PAGE: 1.1	