

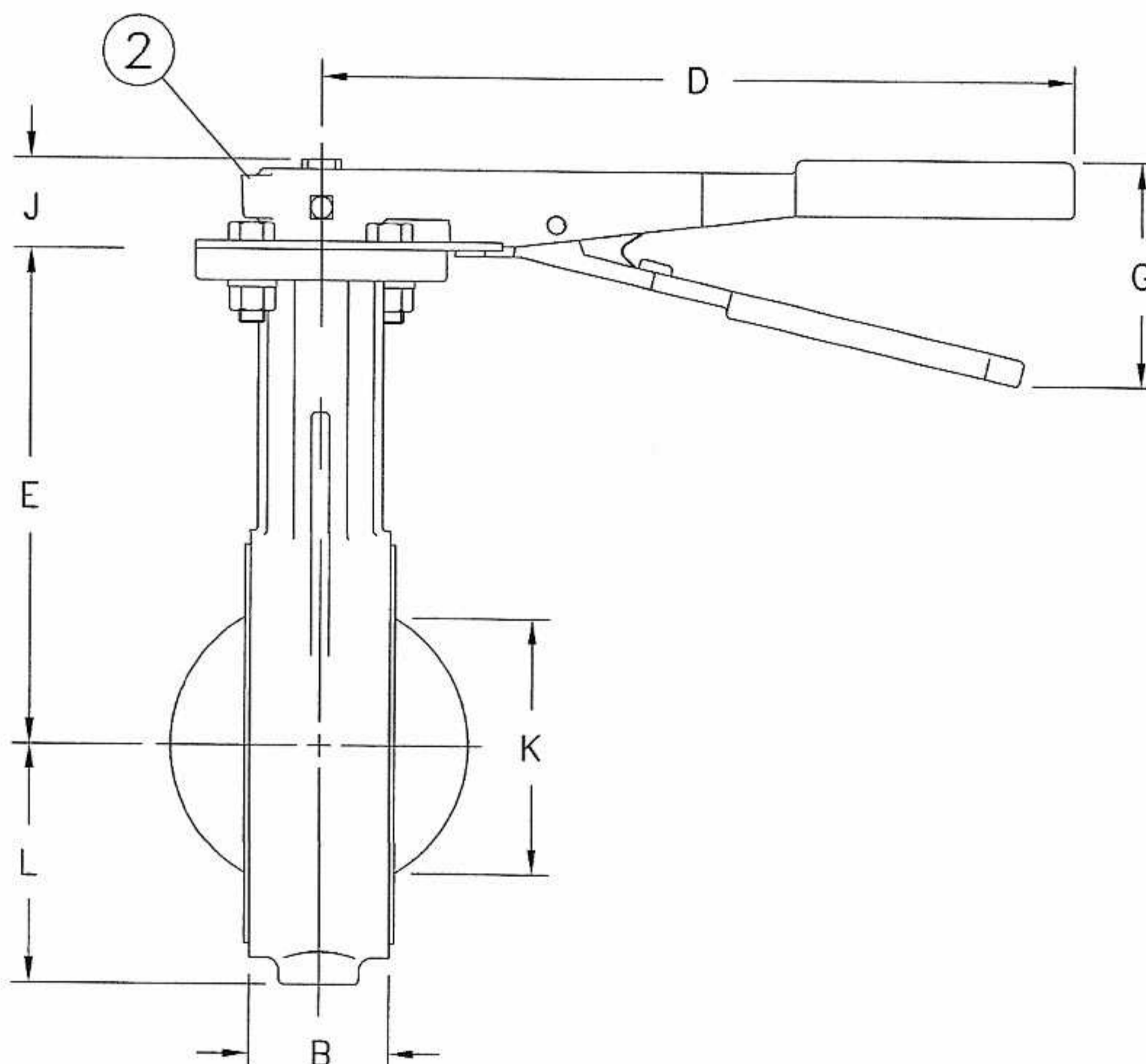
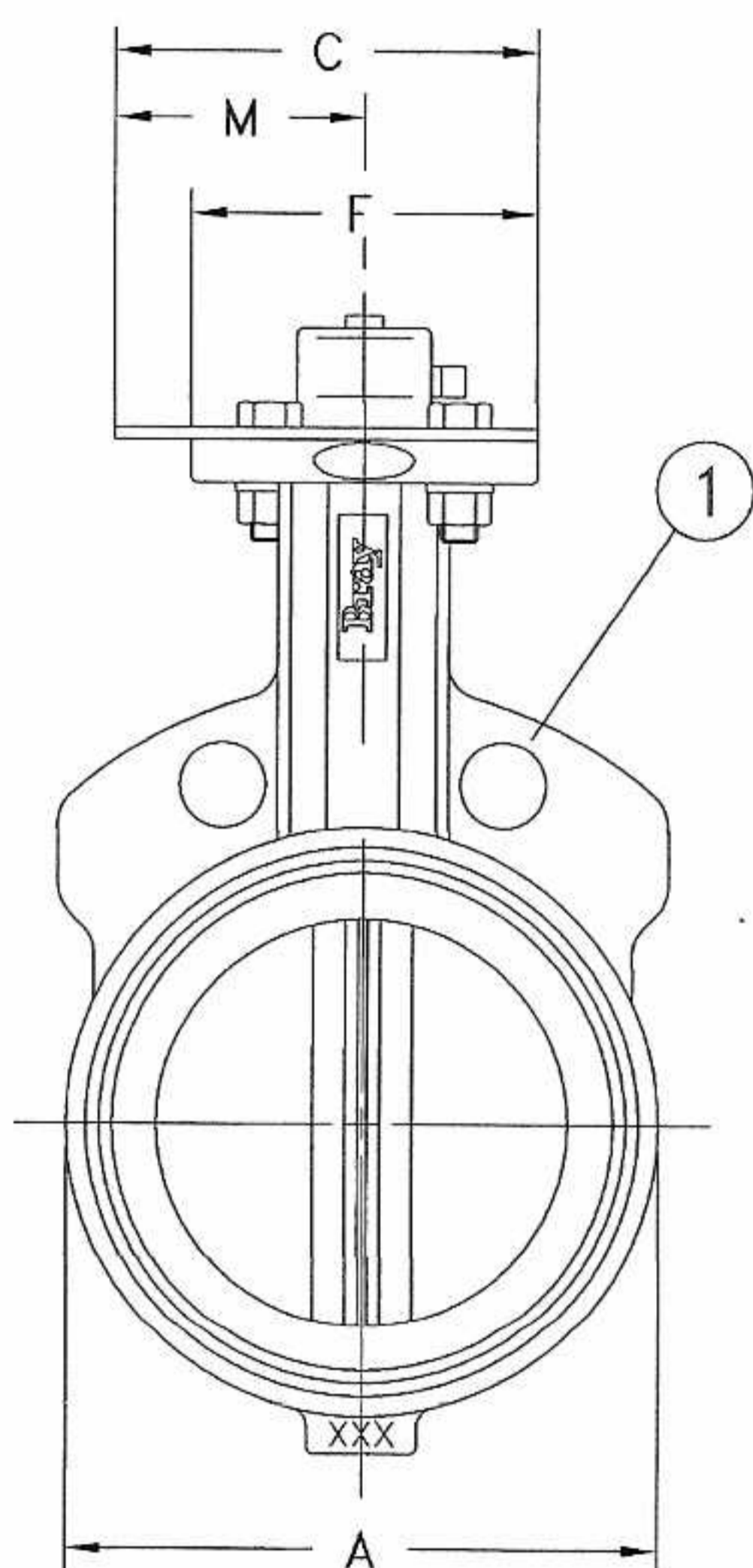
**\*ATTENTION\***

THIS DOCUMENT IS VALID IF AND ONLY IF YOU PERSONALLY DOWNLOADED IF FROM WWW.BRAY.COM  
 IF YOU RECEIVED THIS DOCUMENT FROM ANY OTHER SOURCE, PLEASE TAKE INTO CONSIDERATION THAT ALTERATIONS  
 COULD HAVE BEEN MADE, FOR AN ORIGINAL COPY, PLEASE CONTACT BRAY VALVE AT 281-894-5454

**SERIES 30**  
**ES11A-0254**  
 Date: April 2008

Valve Size	A	B	C	D	E	F	G	J	K	L	M
2"	3.69	1.62	4.32	10.62	5.50	3.54	3.16	1.25	1.32	2.22	2.55
2½"	4.19	1.75	4.32	10.62	6.00	3.54	3.16	1.25	1.91	2.47	2.55
3"	4.88	1.75	4.32	10.62	6.25	3.54	3.16	1.25	2.55	2.81	2.55
4"	6.06	2.00	4.32	10.62	7.00	3.54	3.16	1.25	3.57	3.41	2.55
5"	7.12	2.12	4.32	10.62	7.50	3.54	3.16	1.25	4.63	4.03	2.55
6"	8.12	2.12	4.32	10.62	8.00	3.54	3.16	1.25	5.45	4.53	2.55
8"	10.50	2.50	6.65	11.81	9.50	5.91	3.16	1.25	7.45	5.75	3.70
10"	12.75	2.50	6.65	11.81	10.75	5.91	3.16	2.00	9.53	7.12	3.70
12"	14.88	3.00	6.65	11.81	12.25	5.91	3.16	2.00	11.47	8.12	3.70

Note: K dim is disc chordal dimension at valve face.



2	HANDLE KIT	1
1	VALVE	1
ITEM	NAME	QTY

Valve Size \_\_\_\_\_ Pressure Rating \_\_\_\_\_  
 Flg. Drilling \_\_\_\_\_  
 Customer/Project \_\_\_\_\_  
 Inq./P.O. No. \_\_\_\_\_  
 Bray Order No. \_\_\_\_\_  
 Certified Correct By \_\_\_\_\_ Date \_\_\_\_\_

DIMENSIONAL DRAWING (INCHES)  
 SREIES 30, SIZES 2" THRU 12" BUTTERFLY VALVES  
 WITH SERIES 01 HANDLE KITS

**Bray** CONTROLS  
 A Division of BRAY INTERNATIONAL, Inc.

SHEET 1 OF 1 REV. 1  
 DRAWING NO. ES11A-0254