

### 3.1 General description of the equipment

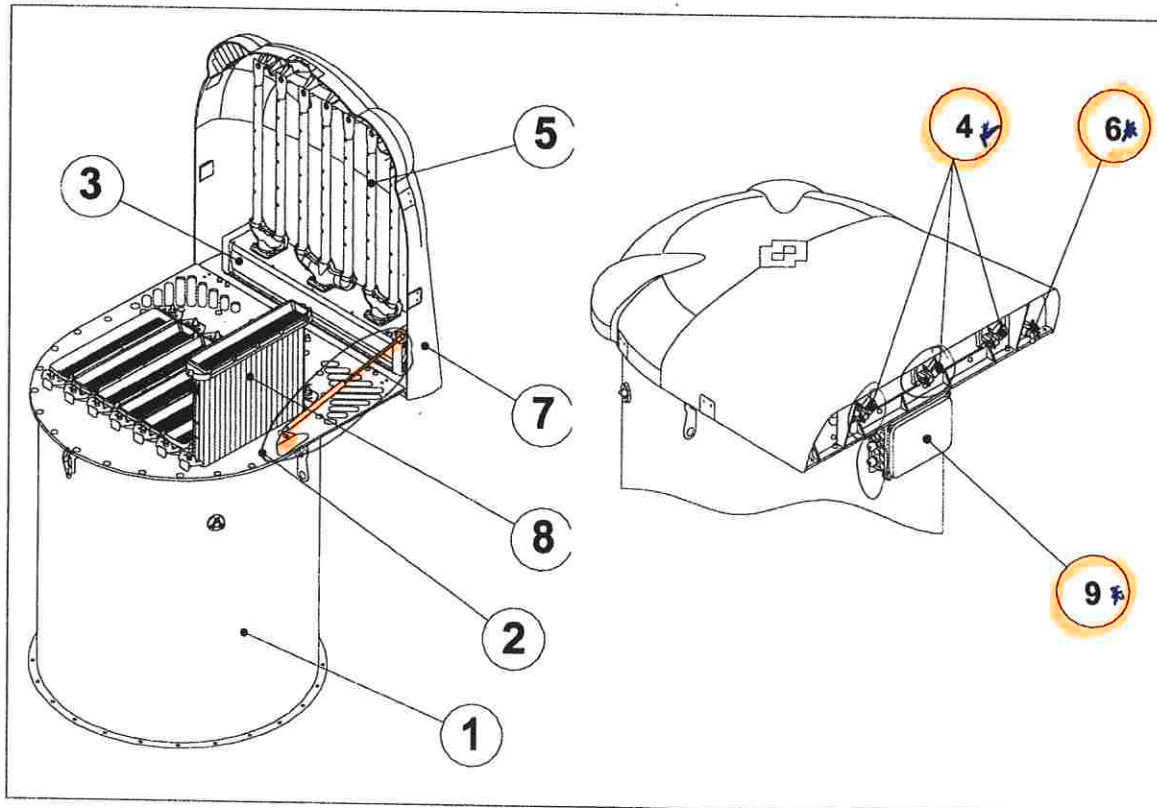
SILOTOP® is a cylindrically shaped dust collector for venting of pneumatically filled silos.

The stainless steel body contains vertically mounted POLYPLEAT® filter elements. The air jet cleaning system is integrated in the hinged weather protection cover.

Dust separated from the air flow by POLYPLEAT® drops back into the silo after an integrated automatic reverse air jet cleaning system inside the weather protection cover has removed it from the filter elements.

SILOTOP® is designed for being integrated with other systems in the context of a plant in order to obtain a clearly defined application.

### 3.2 Main components



- 1) Filter body
- 2) Seal frame
- 3) Air tank
- 4) Solenoid valves
- 5) Blow pipes

- 6) Condensation drain cock
- 7) Filter cover
- 8) POLYPLEAT® filter elements
- 9) Electronic timer