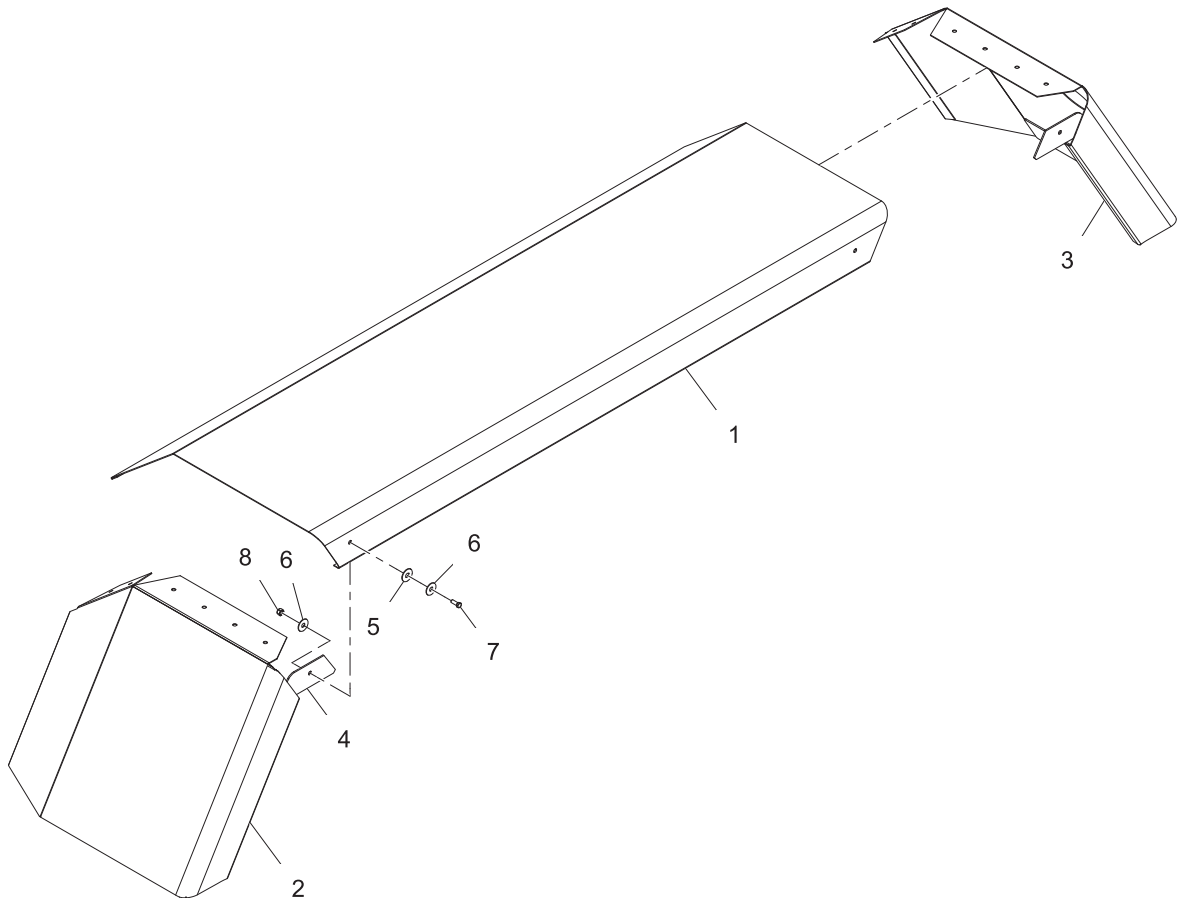



Click number attached to the part  
 or the part numbers on the next  
 pages to link to other parts,  
 some parts may have no link



REF	PART NO.	DESCRIPTION	QTY	REF	PART NO.	DESCRIPTION	QTY
1	<a href="#">33544</a>	Fender, Rear, ALUM, 139", 2012 .....	1	4	<a href="#">23820</a>	Gusset, Rear, Fender End Cap.....	2
	<a href="#">33651</a>	Fender, Rear, ALUM, 89", 2012 .....	1	5	<a href="#">19308</a>	Washer, Flat, 3/8 PVC .....	9
	<a href="#">33741</a>	Fender, Rear, ALUM, 107", MY13.....	1	6	<a href="#">22288</a>	Washer, Fender, 3/8" X 1-1/4" .....	18
2	<a href="#">33546</a>	WDMT, Fender End Cap, RDS- Front, 2012 .....	1	7	<a href="#">19105</a>	Bolt, HHCS, 3/8"-16 X 1", PF, GR8.....	9
	<a href="#">33545</a>	WDMT, Fender End Cap, CBS- Front, 2012.....	1	8	<a href="#">19353</a>	Nut, Lock, Top, 3/8"-16, ZP, GRC .....	9
3	<a href="#">33549</a>	WDMT, Fender End Cap, RDS- RR, 2012.....	1				
	<a href="#">33550</a>	WDMT, Fender End Cap, CBS- RR, 2012.....	1				

WHEN ORDERING PARTS, SPECIFY MODEL NUMBER, SERIAL NUMBER AND DESCRIPTION OF PARTS REQUIRED

	<b>REAR FENDER 2010-2015</b>	DATE: Released 01-2016	<b>GROUP 7</b>
		MODEL: FD	
		PAGE: 7.3	