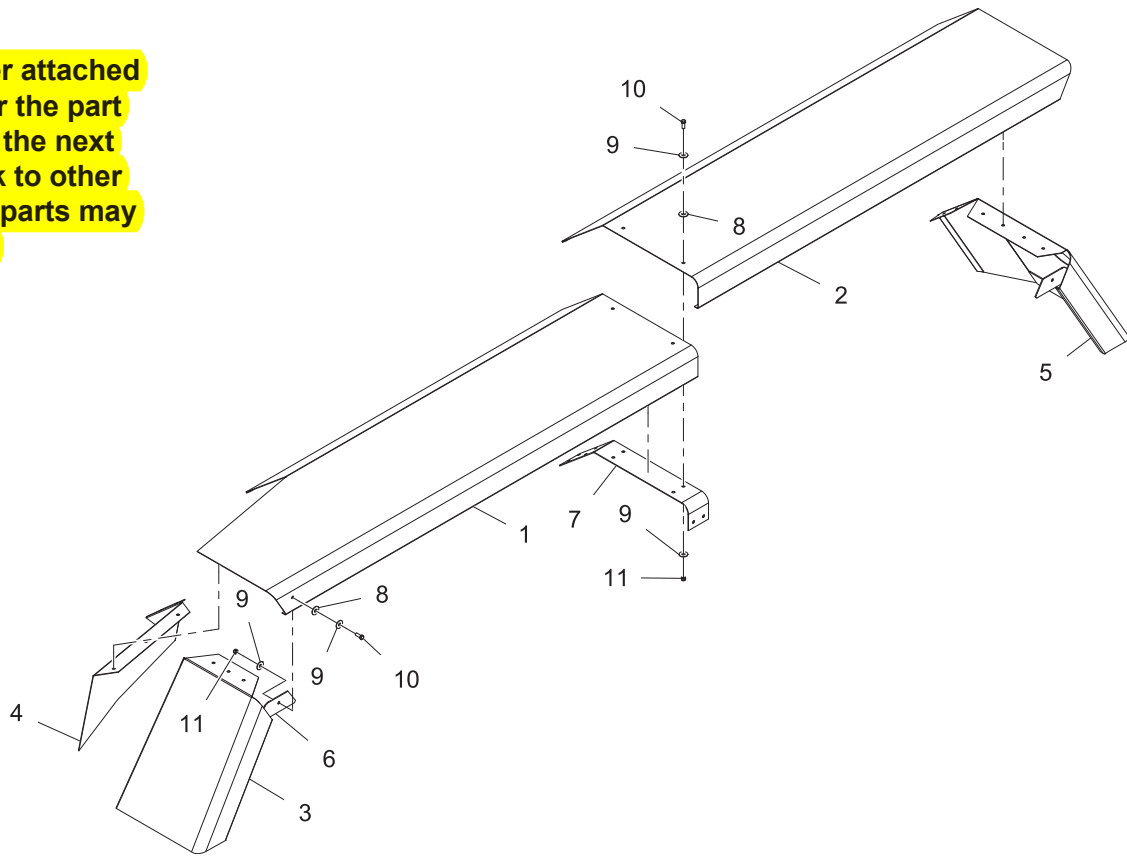


Click number attached to the part or the part numbers on the next pages to link to other parts, some parts may have no link



REF	PART NO.	DESCRIPTION	QTY	REF	PART NO.	DESCRIPTION	QTY
1	33747	Fender, Rear, 85", W/150GL Cutout, RDSD	1		33781	WDMT, FNDR End Cap, W/200GL Cutout, RDSD	1
	33748	Fender, Rear, 85", W/150GL Cutout, CBSD	1		33780	WDMT, FNDR ENDCAP, W/200GL Cutout, CBSD	1
	33764	Fender, Rear, 85", W/200GL Cutout, RDSD	1	4	33759	Cap, Inner FNDR, W/150GAL Cutout, RDSD	1
	33765	Fender, Rear, 85", W/200GL Cutout, CBSD	1		33758	Cap, Inner FNDR, W/150GAL Cutout, CBSD	1
	33749	Fender, Rear, 107", W/150GL Cutout, RDSD	1		33753	Cap, Inner FNDR, W/200GAL Cutout, RDSD	1
	33750	Fender, Rear, 107", W/150GL Cutout, CBSD	1		33752	Cap, Inner FNDR, W/200GAL Cutout, CBSD	1
	33766	Fender, Rear, 107", W/200GL Cutout, RDSD	1	21664		Inner Cap, Front, Rear Fender, RDSD	1
	33767	Fender, Rear, 107", W/200GL Cutout, CBSD	1	21665		Inner Cap, Front, Rear Fender, CBSD	1
2	33705	Fender, Rear, RDSD Rear, 93", MY13	1	5	33550	WDMT, Fender End Cap, CBSD-RR, 2012	1
	33706	Fender, Rear, CBSD Rear, 93", MY13	1		33549	WDMT, Fender End Cap, RDSD-RR, 2012	1
	33721	Fender, Rear, RDSD Rear, 118", MY13	1	6	23820	Gusset, Rear, Fender End Cap	2
	33722	Fender, Rear, CBSD Rear, 118", MY13	1	7	34077	Plate, Rear Fender Splice, 2013	1
				8	19308	Washer, Flat, 3/8 PVC	9
				9	22288	Washer, Fender, 3/8" X 1-1/4"	18
3	33755	WDMT, FNDR, End, W/150GAL Cutout, RDSD	1	10	19105	Bolt, HHCS, 3/8"-16 X 1", PF, GR8	9
	33754	WDMT, FNDR, End, W/150GAL Cutout, CBSD	1	11	19353	Nut, Lock, Top, 3/8"-16, ZP, GRC	9

WHEN ORDERING PARTS, SPECIFY MODEL NUMBER, SERIAL NUMBER AND DESCRIPTION OF PARTS REQUIRED

	REAR FENDER 2010-2015	DATE: Released 01-2016	GROUP 7
		MODEL: FD	
		PAGE: 7.5	