



ACCESSORIES
BOTTOM RING
WAM®

04.13

SILOTOP® 1
Series R03

FIL.100.--.T.4L 10

BOTTOM RING

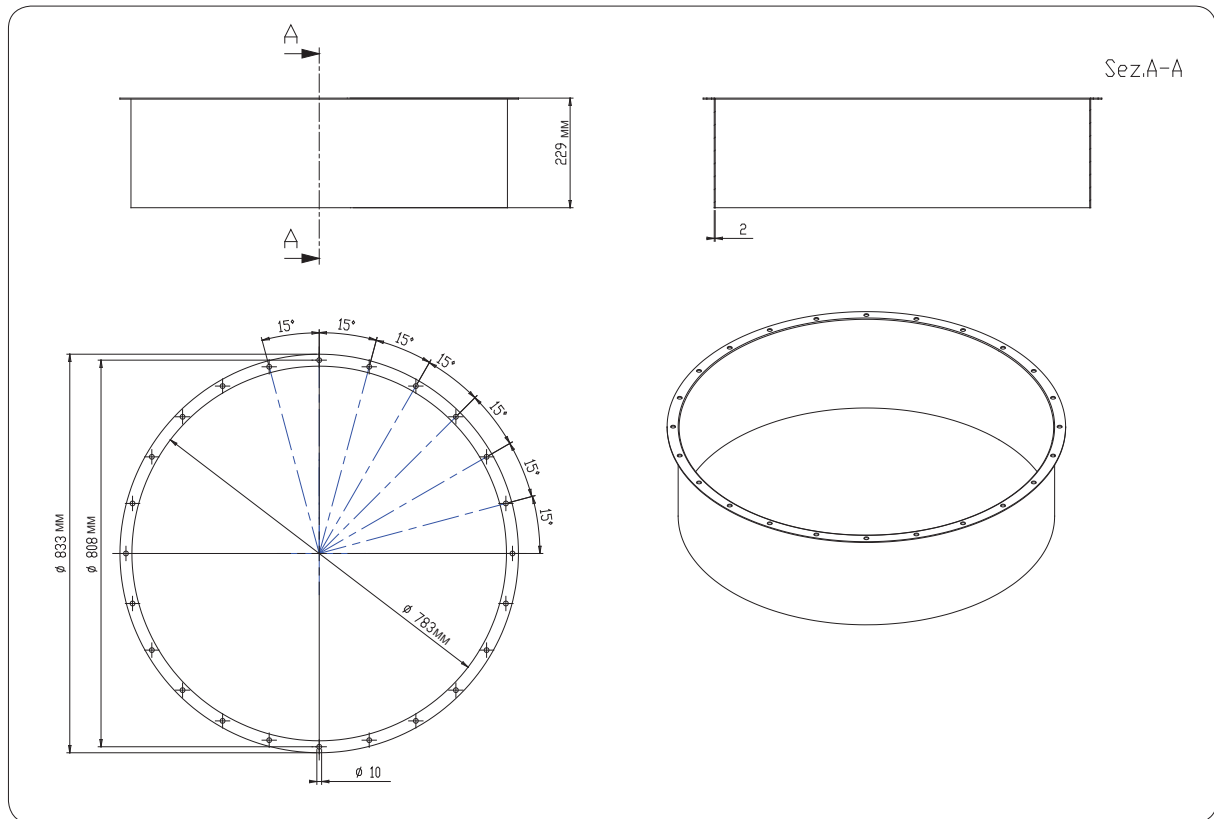
Used to connect the filter with a hopper, silo etc. The ring is welded on the silo, hopper or cell and then bolted to the filter.

FINISHING:

- Carbon steel powder- coated

RAL 7001 (silver grey)

- AISI 304 stainless steel



CODE Fe

U	F	N	8	0	0	1
---	---	---	---	---	---	---

CODE AISI 304

U	F	N	8	0	0	2
---	---	---	---	---	---	---