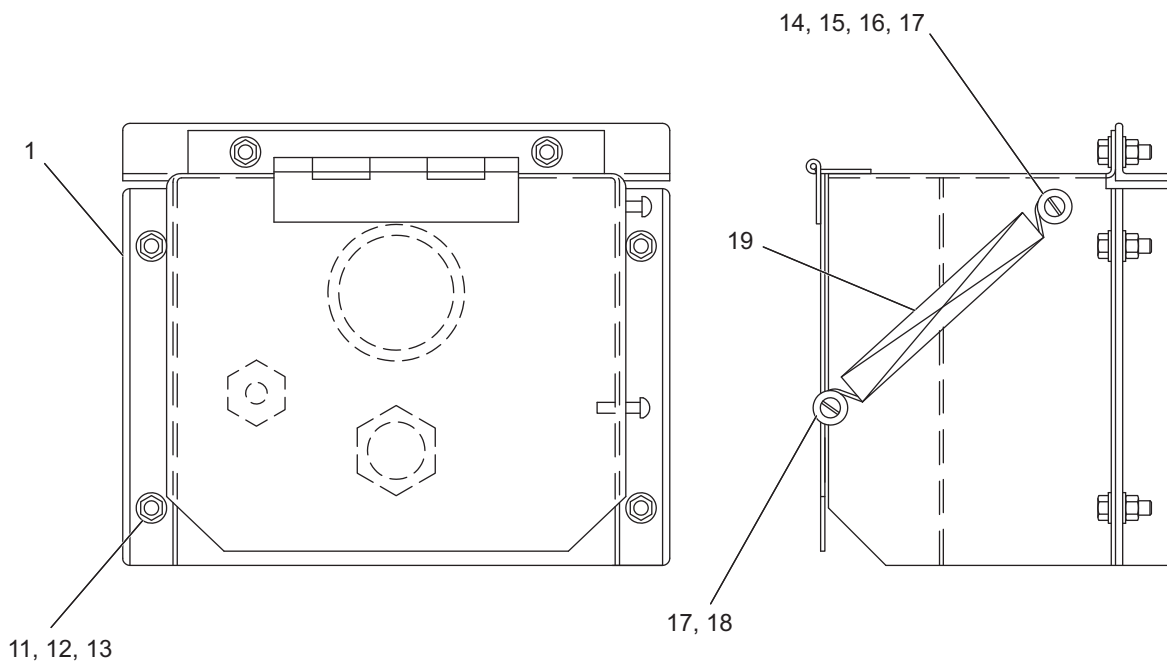
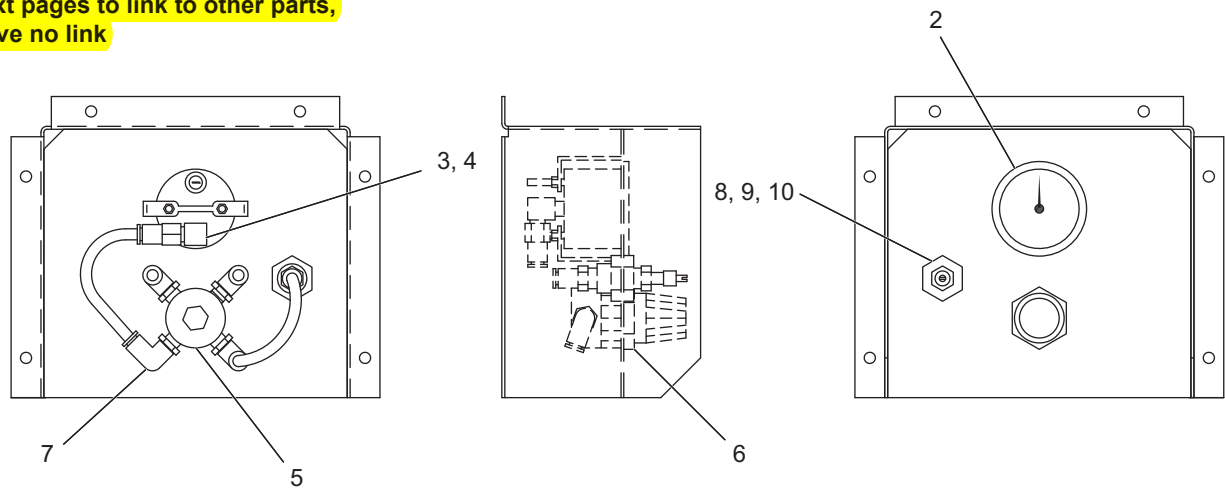


Click number attached to the part or the part numbers on the next pages to link to other parts, some parts may have no link



REF	PART NO.	DESCRIPTION	QTY	REF	PART NO.	DESCRIPTION	QTY
	43167	ASSY, Pusher Air Control Box Maryland Portable					
1	32047	WDMT, Cover, EXT Lift CNTL PNL, 1VLV.....	1	9	17656	FTG, Bulkhead, 1/4NTP X 1/4NTP	1
2	11490	Gauge, Air Pressure.....	1	10	29292	FTG, PTC, 1/4NTP X 1/4" Tube	1
3	28734	FTG, 1/8NTP Female X 1/4" Tube, PTC	1	11	19126	Bolt, HHCS, 1/4-20 X 3/4, GR8.....	6
4	13041	FTG, ST EL, 1/8FTP X 1/8NTP	1	12	19352	Nut, Auto Style, 1/4-20, GR2	6
5	13578	Regulator, Air, 0-125 PSI.....	1	13	19053	Washer, Flat, 1/4 GR2 ZP	12
6	13572	Nut, Air Regulator.....	1	14	32009	Nut, NYLOCK, 10-32, ZP	1
7	28090	FTG, EL, Push To CONN, 1/8NPT X 1/4"	4	15	32010	SHCS, 10-32 X 5/8", ZP.....	1
8	34070	Valve, SCHRADER, X 1/4" NTP.....	1	16	19138	Nut, KEPS, 10-32, GR2, BLK	1
				17	19055	Washer, Flat, #10, ZP	4
				18	19226	Screw, PPHM, 10-32 X 3/4", ZP	1
				19	13954	Spring, Throttle Return.....	1

WHEN ORDERING PARTS, SPECIFY MODEL NUMBER, SERIAL NUMBER AND DESCRIPTION OF PARTS REQUIRED

	PUSHER AIR CONTROL BOX	DATE: Released 01-2016	GROUP 8
		MODEL: FD	
		PAGE: 8.7	