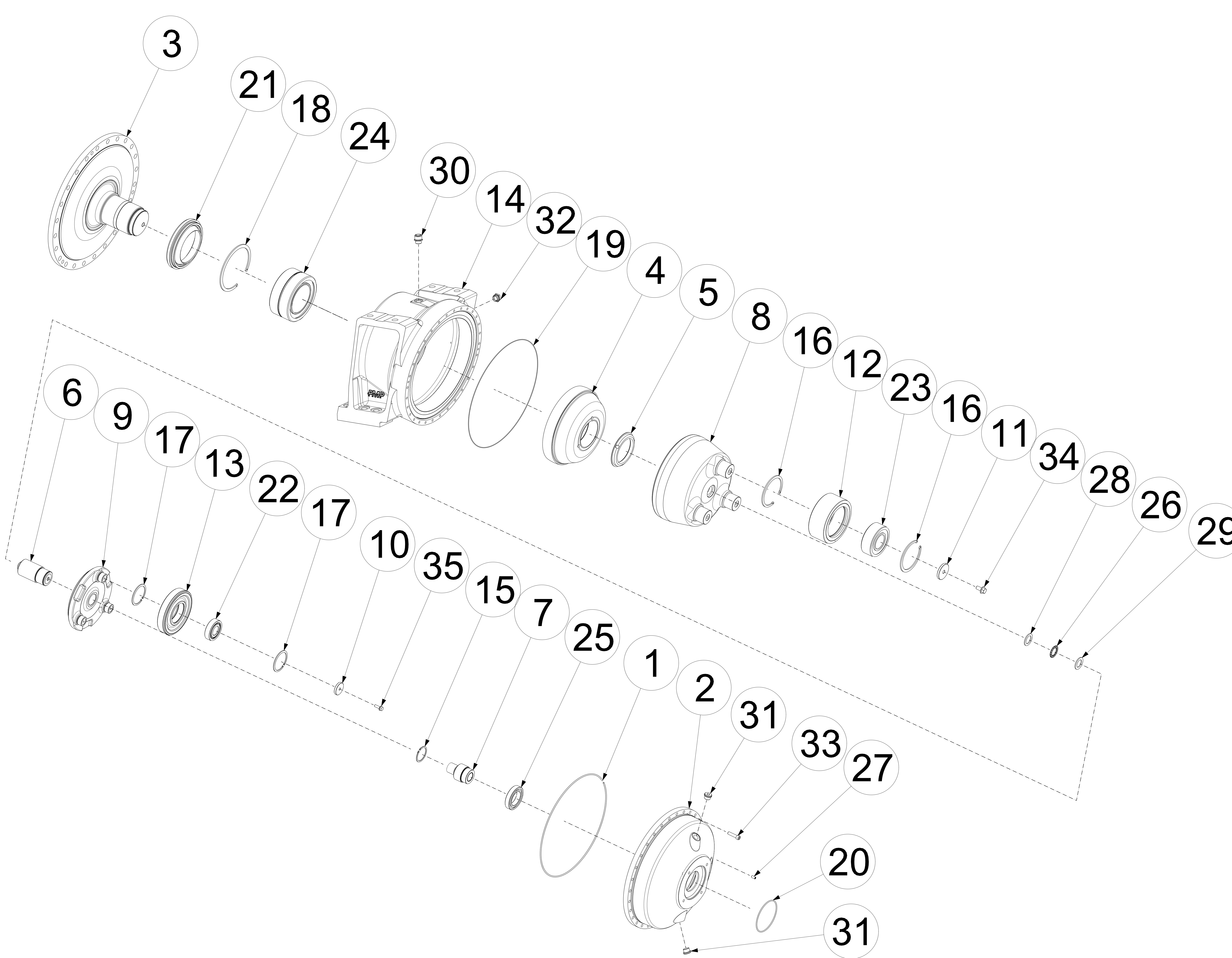


1 2 3 4 5 6 7 8 9 10 11 12 13 14 15 16

A
B
C
D
E
F
G
H
J
K
L
M

A
B
C
D
E
F
G
H
J
K
L
M

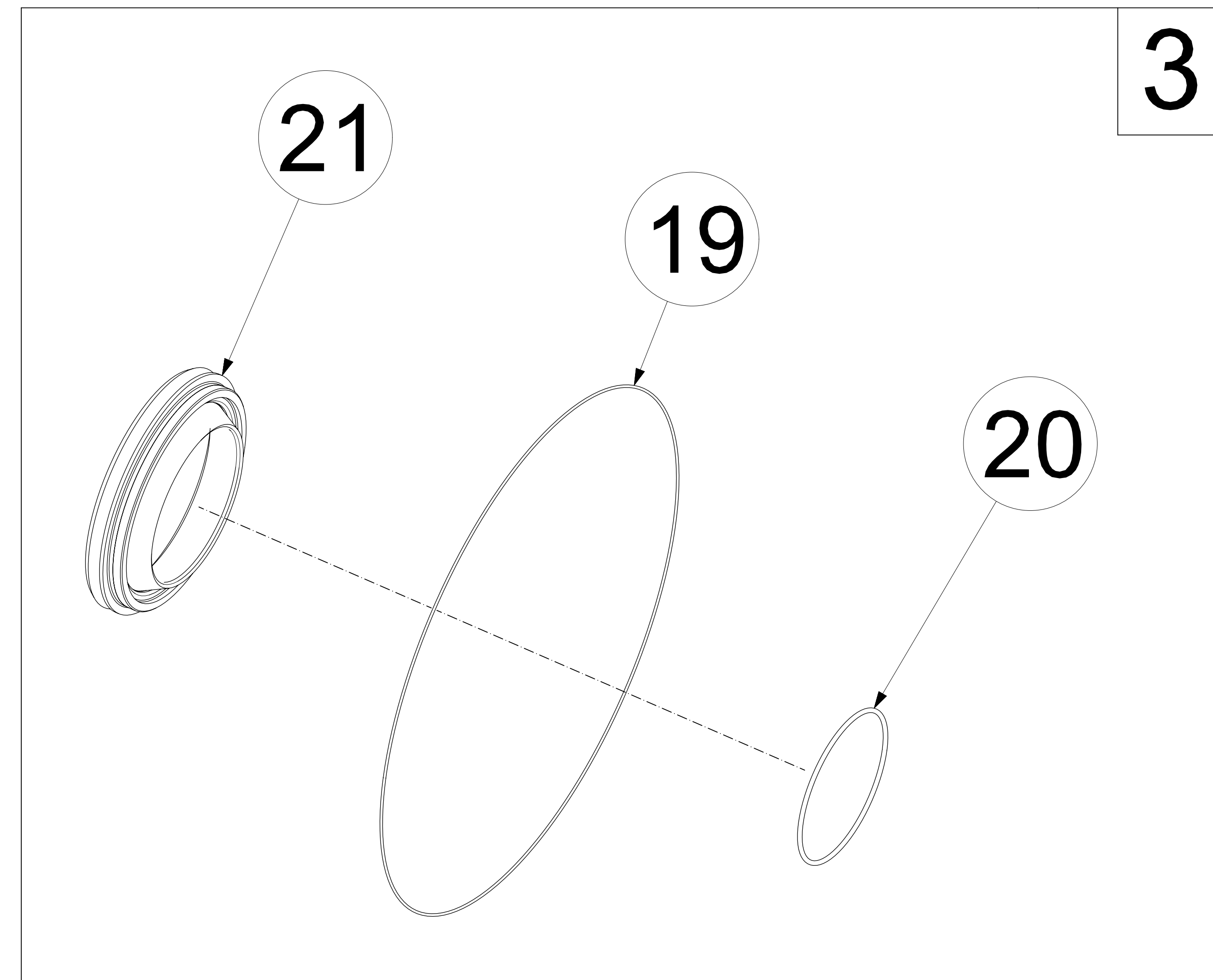
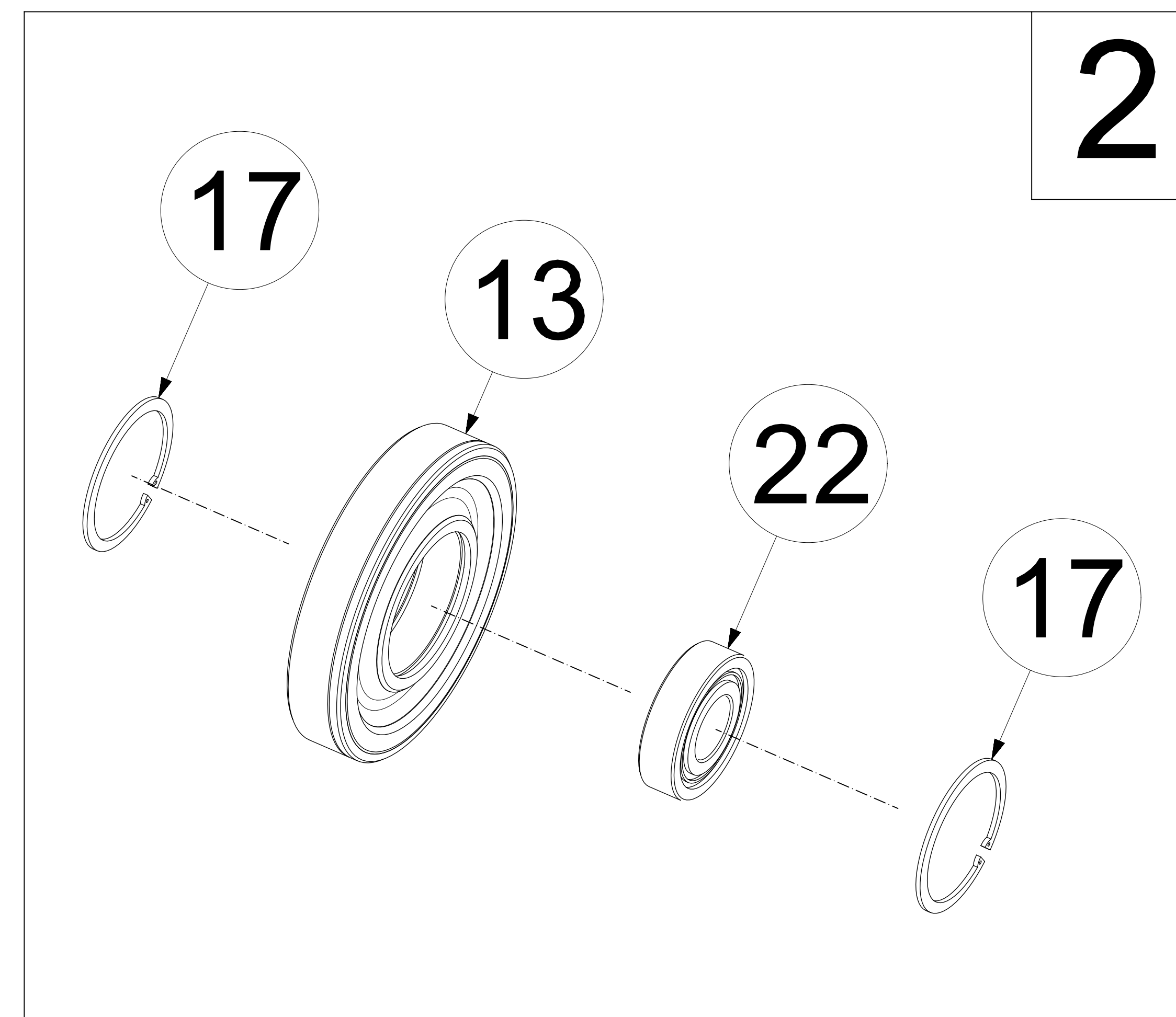
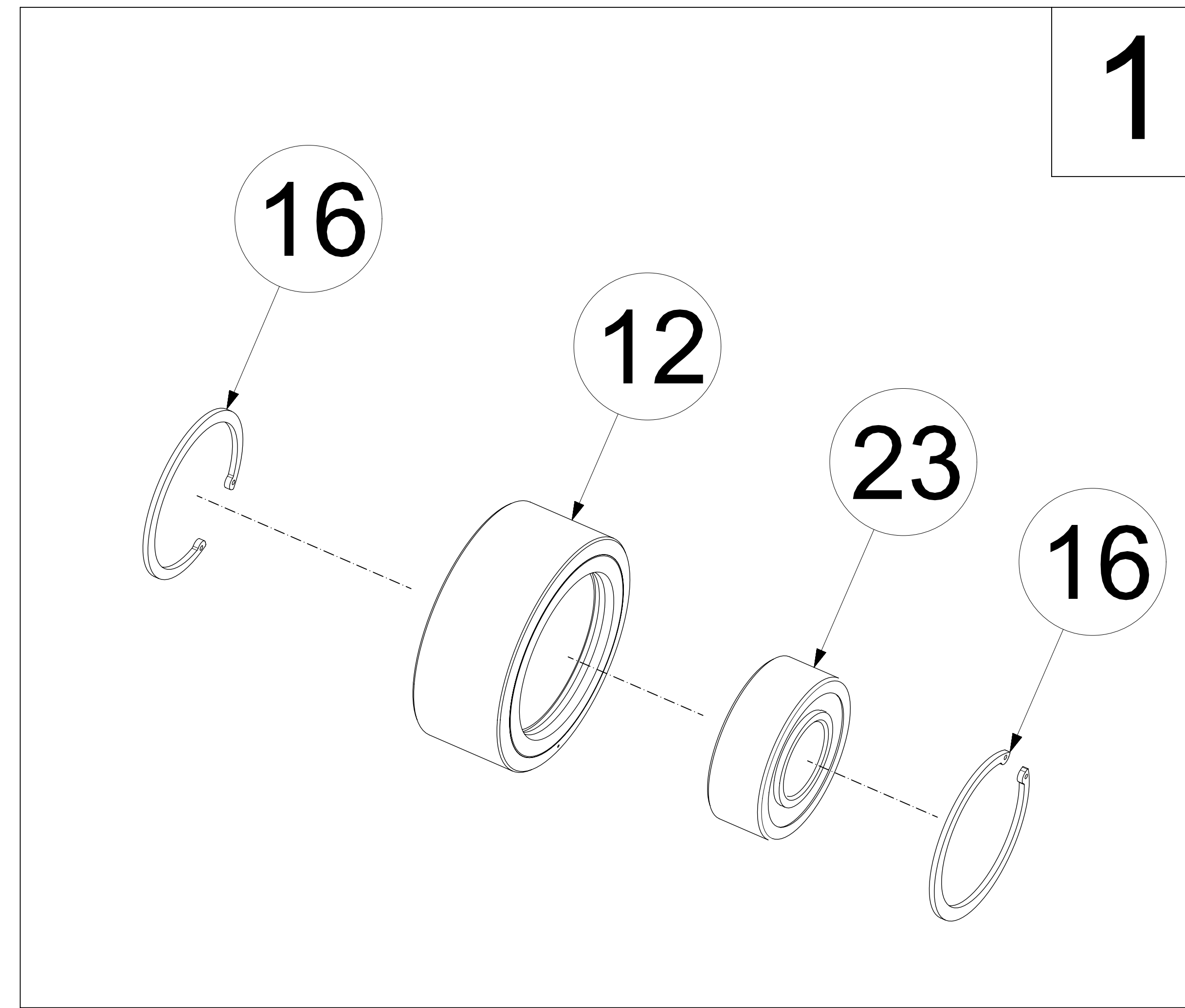


35	3	VT2.0003	Screw HHCS M8x25 10.9
34	3	VT2.0001	Screw HHCS M12x25 10.9
33	30	VC1.0010	Screw SHCS M10x40 8.8
32	1	TAP.0011	Side glass M22x2.5 + washer
31	2	TAP.0007	Plug M22x1,5 + washer
30	1	TAP.0004	Plug M22x1.5 + washer
29	1	RAL.0006	Thrust washer
28	1	RAL.0001	Thrust washer
27	1	GRA.0001	Grub screw
26	1	GAR.0003	Thrust bearing
25	1	CR1.0051	Ball bearing
24	1	COR.0031	Roller bearing
23	3	COR.0025	Roller bearing
22	3	CC1.0025	Roller bearing
21	1	AT9.0046	Seal
20	1	AT5.0166	O-Ring OR Ø124.0x3.2 nbr
19	1	AT5.0128	O-Ring OR Ø 425.10x2.62 nbr
18	1	AE1.0008	Snap ring for hole UNI7437 Ø 180
17	6	AE1.0006	Snap ring for hole UNI 7437 Ø80
16	6	AE1.0001	Snap ring for hole UNI7437 Ø120
15	1	AE0.0010	Snap ring for shaft UNI7435 Ø56
14	1	839.0066	Housing
13	3	835.0093	Planet gear
12	3	835.0047	Planet gear
11	3	810.0002	Washer
10	3	810.0001	Washer
9	1	750.0092	Planetary carrier
8	1	750.0042	Planetary carrier
7	1	735.0180	Sun gear
6	1	735.0134	Sun gear
5	1	470.0011	Locking nut
4	1	460.0013	Clutch gear
3	1	383.0077	Output flange
2	1	214.0170	Front cover
1	1	040.0044	Snap ring
Item	Q.ty	Code	Description

PMP INDUSTRIES

Scale: 305-15%
 Drawing: PMB7.1 SP-120-C4-21N-CM-0
 Description: Gearbox exploded view
 Date: 11/09/2015
 Project Code: B71.1204.1 EV

1 2 3 4 5 6 7 8 9 10 11 12 13 14 15 16



35	3	VT2.0003	Screw HHCS M8x25 10.9
34	3	VT2.0001	Screw HHCS M12x25 10.9
33	30	VC1.0010	Screw SHCS M10x40 8.8
32	1	TAP.0011	Side glass M22x2.5 + washer
31	2	TAP.0007	Plug M22x1,5 + washer
30	1	TAP.0004	Plug M22x1,5 + washer
29	1	RAL.0006	Thrust washer
28	1	RAL.0001	Thrust washer
27	1	GRA.0001	Grub screw
26	1	GAR.0003	Thrust bearing
25	1	CR1.0051	Ball bearing
24	1	COR.0031	Roller bearing
23	3	COR.0025	Roller bearing
22	3	CC1.0025	Roller bearing
21	1	AT9.0046	Seal
20	1	AT5.0166	O-Ring OR Ø124.0x3.2 nbr
19	1	AT5.0128	O-Ring OR Ø 425.10x2.62 nbr
18	1	AE1.0008	Snap ring for hole UNI7437 Ø 180
17	6	AE1.0006	Snap ring for hole UNI 7437 Ø80
16	6	AE1.0001	Snap ring for hole UNI7437 Ø120
15	1	AE0.0010	Snap ring for shaft UNI7435 Ø56
14	1	839.0066	Housing
13	3	835.0093	Planet gear
12	3	835.0047	Planet gear
11	3	810.0002	Washer
10	3	810.0001	Washer
9	1	750.0092	Planetary carrier
8	1	750.0042	Planetary carrier
7	1	735.0180	Sun gear
6	1	735.0134	Sun gear
5	1	470.0011	Locking nut
4	1	460.0013	Clutch gear
3	1	383.0077	Output flange
2	1	214.0170	Front cover
1	1	040.0044	Snap ring
Item	Q.ty	Code	Description

3	K7B.0305	Gearbox seals
2	K7B.0210	Planetary gear assy
1	K7B.0204	Planetary gear assy
KIT N°	CODE OF KIT	DESCRIPTION

PMP INDUSTRIES

305-1376 1:5 2 1 A0

Revision: PMB7.1 SP-120-C4-21N-CM-0

Customer Code: Date: 01/09/2015

Project Code: B71.1204.1 EV