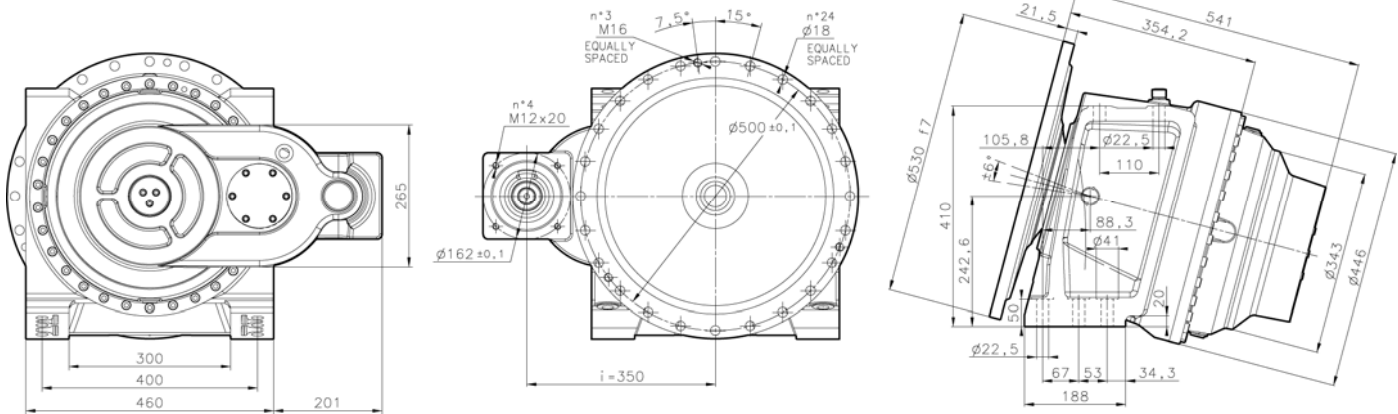


D76: PMB MIXER DRIVES PMB 7 R



GEARBOX DATA

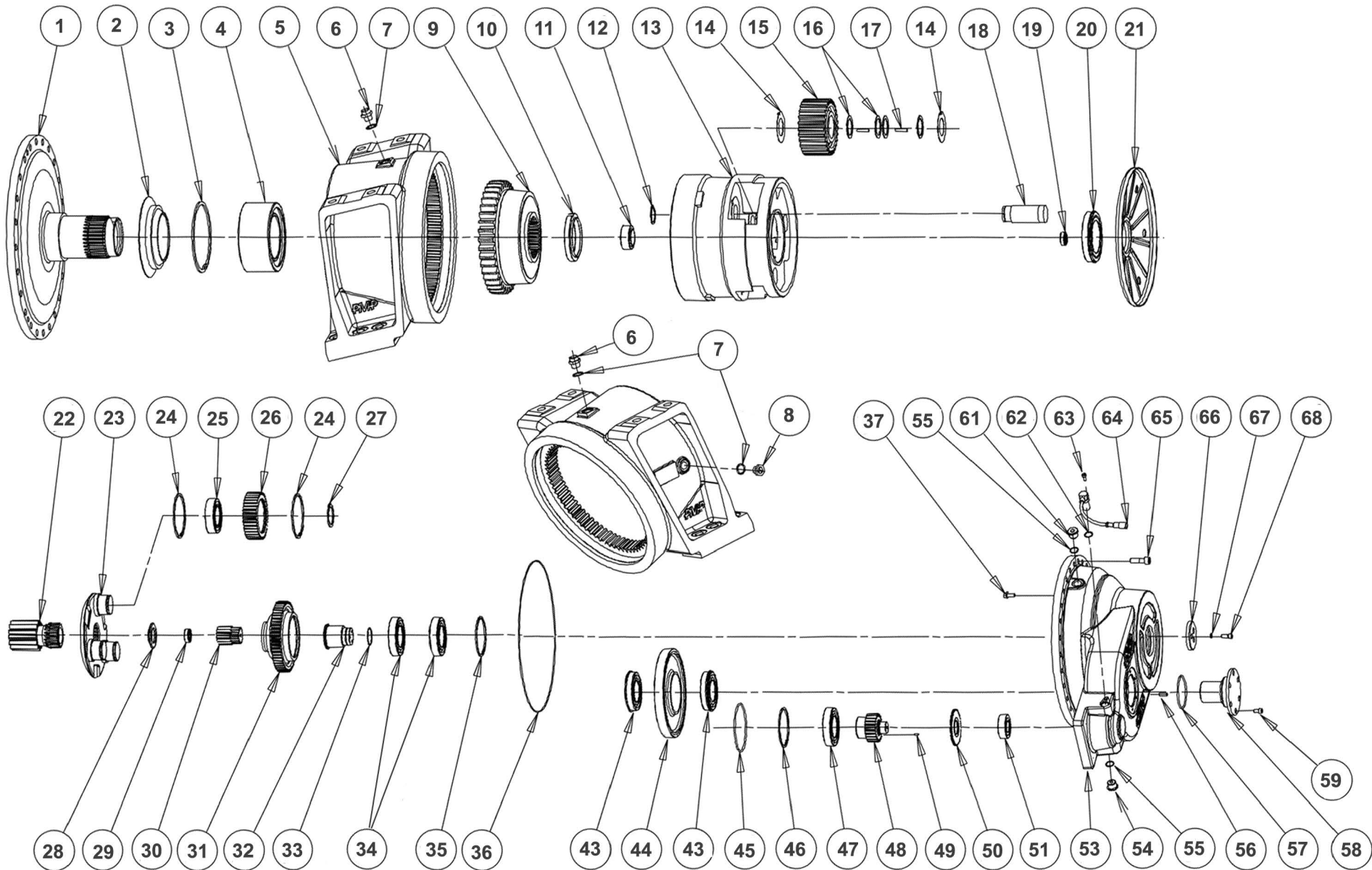
Max. Output Torque	T_{2max} [Nm]	75000
Max. Input Speed	n_{1max} [rpm]	2500
Reduction Ratio	i [.]	139.6
Max. Radial Load	F_{Rmax} [kN]	170
Max. Axial Load	F_{Amax} [kN]	66
Weight	[kg]	350

SERVICE BRAKE DATA

Oil Quantity	V_{oil} [l]	15
Oil Type	-	SAE85W/90-API GL5

DRUM INSTALLATION ANGLE

7 m ³	0	Max 15°
8 m ³ –9 m ³	0	Max 13°
10 m ³	0	Max 12°
12 m ³	0	Max 11°



Loc#	Part#	Description	Qty	Alt Part#
1	383.001	Flange, Output	1	
2	AT9.0046	Seal, Output, Sealing Collar	1	
3	AE1.0008	Ring, Snap, Retaining	1	
4	COR.0004	Bearing, Output	1	
5	839.0023	Housing, Output, Large	1	
6	TAP.0004	Breather	1	
7	RO1.0008	Washer	2	
8	TAP.0011	Gauge, Sight (Sight plug)	1	
9	460.0002	Bellgear, Clutch Body Gear	1	
10	470.0001	Locknut, Ding	1	
11	SSF.0001	Bearing, Swivel Pilot, Swivel Joint	1	
12	AE0.0009	Snap Ring, Large Planetary Gear Shaft	1	
13	750.0013	Carrier, Large Planetary	1	
14	798.0007	Washer, Thrust	6	
15	835.0004	Gear, Large Planetary	3	
16	040.0004	Washer, Intermediate, Needle bearing retainer	12	
17	RUL.0001	Bearing, Needle, Roller	138	
18	060.0014	Shaft, Small Planetary Gear	3	
19	CR1.0003	Bearing, Thrust, Ball	1	
20	CR1.0006	Bearing, Disk Cover Bearing	1	
21	173.0002	Disk Cover, (Hubcap)	1	
22	735.0009	Gear, Sun, Driving Pinion	1	
23	750.0007	Carrier, Small Planetary	1	
24	AE1.0015	Ring, Spacer, Small Planetary Gear Bearing	6	
25	COR.0014	Bearing, Small Planetary	3	
26	835.0007	Gear, Small Planetary	3	
27	AE0.0027	Snap Ring, Small Planetary Gear	3	
28	395.0014	Washer, Thrust, Flanged	1	
29	CR1.0005	Bearing, Thrust, Sun Gear	1	
30	735.0027	Pinion, Drive, (Sun Gear), Input for Axle Shaft	1	
31	250.0072	Gear, Crown, Input	1	
32	060.0021	Shaft, Axle, Crown Gear	1	
33	AT5.0011	O-Ring	1	

Loc#	Part#	Description	Qty	Alt Part#
34	CR1.0025	Bearing, Input Axle Shaft (back to back)	2	
35	AE1.0014	Snap Ring, Retaining Ring	1	
36	AT5.0129	O-Ring	1	
37	VT2.0002	Bolt, M8X20	3	
43	CR1.0041	Bearing, Idler Gear (one each side)	2	
44	520.0068	Gear, Idler	1	
45	AT5.0062	O-Ring	1	
46	AE1.0014	Snap Ring, Input Gear Bearing	1	
47	CR1.0025	Bearing, Input Gear	1	
48	735.0101	Gear, Input, Pinion	1	
49	SP4.0009	Pin, Elastic, Input Gear	1	
50	320.0025	Gear, Flat, toothed wheel	1	
51	CC1.0007	Bearing, input pinion shaft	1	
52	214.0097	Housing, Input, without sensor hole	1	
53	214.0108	Housing, Input, with sensor hole	1	
54	YAP.0042	Plug	1	
55	RO1.0008	Washer	2	
56	GRA.0001	Screw, Set	1	
57	AT5.0108	O-Ring	1	
58	060.0029	Axle, Idler Bearing, w/flanged cap	1	
59	VC1.0054	Bolt, M8X14	6	
61	TAP.0007	Plug, M22X1.5	2	
62	AT5.0054	O-Ring	1	
63	VC1.0053	Bolt, M6X14	1	
64	ACC.0018	Sender, Pulse Pickup Sensor	1	
65	VC1.0007	Bolt, M12X40	30	
66	810.0008	Cover Washer	1	
67	RO4.0003	Washer	3	
68	VC1.0017	Bolt, M8X20	3	