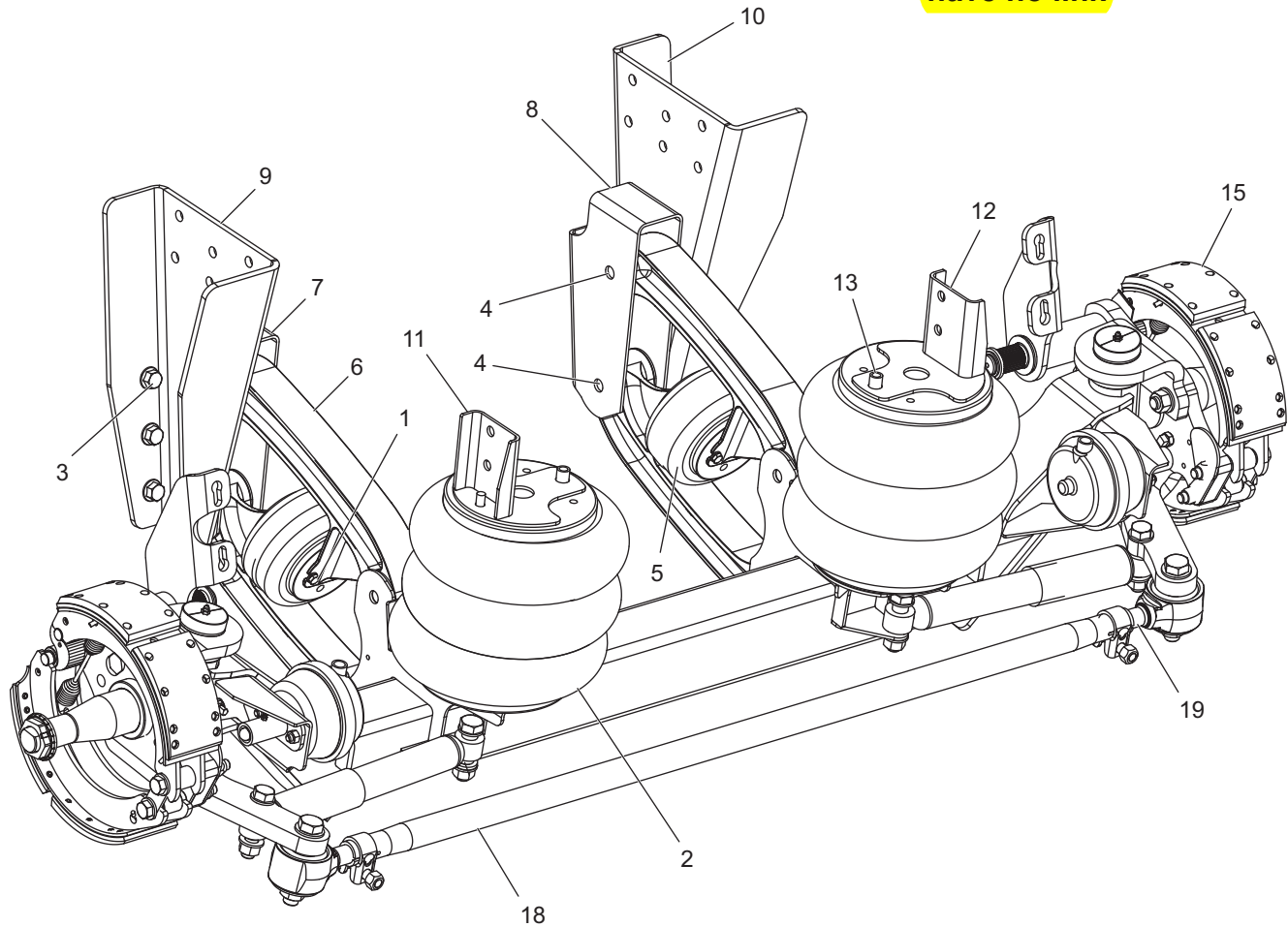


Click number attached to the part or the part numbers on the next pages to link to other parts, some parts may have no link



REF	PART NO.	DESCRIPTION	REF	PART NO.	DESCRIPTION
1		Air Spring Bolt Kit (Lift)	11		Upper A/S Plate PATT-A
2	20209	Air Spring (Ride)	12		Upper A/S Plate PATT-A
3		Bushing Saddle, Bolt Kit	13		Air Spring Bolt Kit (Ride)
4		Pivot Bolt Kit	14*		ST Axle ASSY, Model Specific
5	28219	Air Spring (Lift)	15		Brake Assembly
6		Beam Assembly, Nodular	16*	34137	Axle King Pin Kit (Each)
7		Bushing Saddle PATT-A	17*	34136	King Pin (Each)
8		Bushing Saddle PATT-A	18		Compliant Tie Rod ASM SC13
9		Side Rail	19		Tie Rod Catch
10		Side Rail			

*ITEMS 14, 16 & 17 ARE NOT SHOWN IN THE ILLUSTRATION

WHEN ORDERING PARTS, SPECIFY MODEL NUMBER, SERIAL NUMBER AND DESCRIPTION OF PARTS REQUIRED



**LIFT AXLE
HENDRICKSON COMPOSITILITE**

DATE: Released 01-2016
MODEL: FD
PAGE: 2.10

GROUP
2