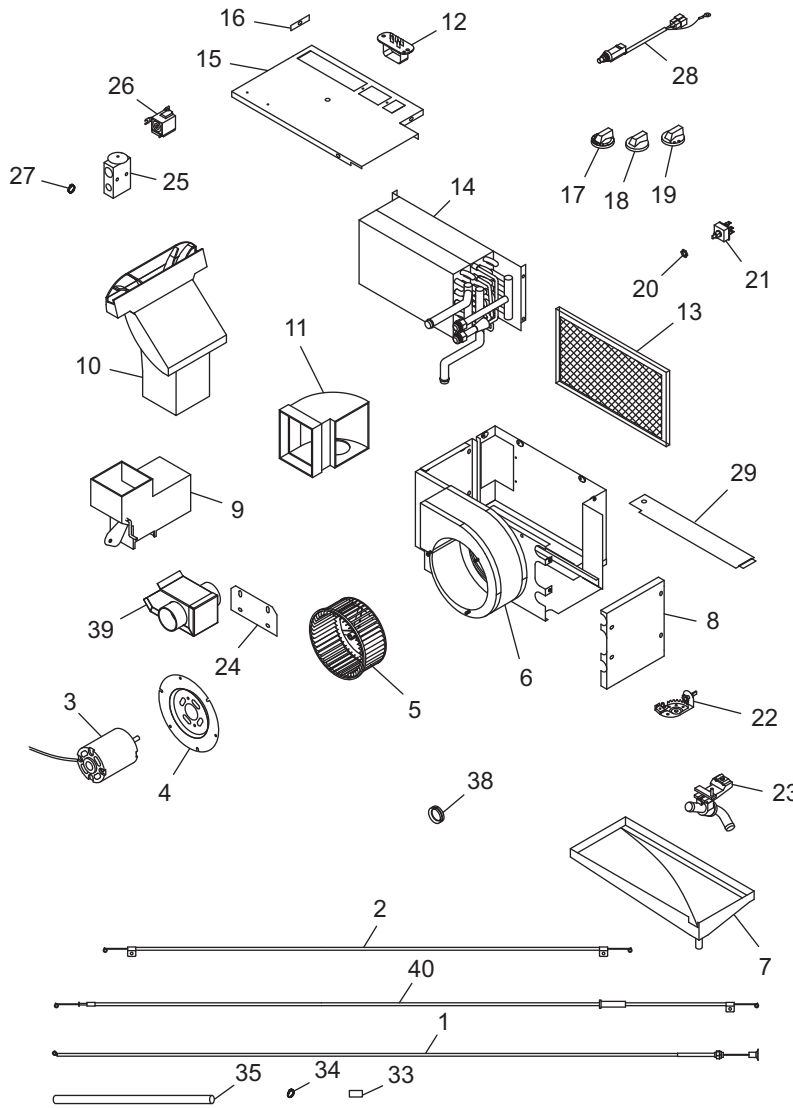


Click number attached to the part or the part numbers on the next pages to link to other parts, some parts may have no link



REF	PART NO.	DESCRIPTION	REF	PART NO.	DESCRIPTION
1	30074	51" Push/ Pull Cable	21	19965	Switch, 3 SPD, 4 PSN
2	27301	32" DBL Loop CBL	22	27032	CBL Rotary Control, CBL ST
3	19967	MTR, 12 V, PM, REV	23	30629	Valve, Heat, Barrel Type
4		Modified LRG Motor MNT	24		BKT, Mount
5	19969	WHL, GALV, 5.75 X 2.42, CW, Fergus	25	20058	VALVE, A/C, EXPANSION, DP594
6		ASY, Body Wrap	26	19975	T-STAT, Preset FREEZEPRTR
7	19974	ASY, Drain Pan	27		O-Ring, #6, R134A, HNBR
8		End Panel	28	19972	Switch, PSH BTN, A/C Bottom
9	19903	ASY, Elbow W/Door & EXH	29		Air Block
10	19963	Duct, Exhaust Diffuser	30*		REFRGT Label
11	19964	Small Duct 90°	31*		Louvre 2" Ball BLK
12	21831	Resistor, 4 Speed	32*		Adapter 2"HS For 3404 Kazoo
13	19970	Filter, 7 X 12 X 0.375, EXP AL	33		Tube
14	19968	Coil, HT/EVAP, 10.25 X 6 X 4.38	34		Hose Clamp, 0.5"
15		ASY, Cover	35		Drain Hose, 12"
16		BKT, Filter Retainer	36*		Cork Tape, 30"
17	28055	Knob, Red Blue, TEMP CTL	37*		Tinnerman Clip
18	28056	Knob, Cab-BI Level-DEF	38		Grommet 1"
19	28057	Knob, Plastic, SPD CTL	39	19903	Defrost Plenum
20		Panel Nut	40	30633	Cable, ADJ, 47", SG. Loop

*ITEMS 30,31, 32, 36 & 37 ARE NOT SHOWN IN THE ILLUSTRATION

WHEN ORDERING PARTS, SPECIFY MODEL NUMBER, SERIAL NUMBER AND DESCRIPTION OF PARTS REQUIRED

	HVAC, HEATER/DEFROST, AC STANDARD CAB	DATE: Released 01-2016	GROUP 6
		MODEL: FD	
		PAGE: 6.22	