

M
PP **MPPARTS**
MIXER & PLANT PARTS MFG, LLC



FRONT DISCHARGE MIXER PARTS

2024



CALL (800) 607-9837
FAX (586) 601-1904



WWW.MPPARTS.COM



1843 TUCKER STREET
ROCK HILL, SC 29730





I know how frustrating it can be to have a mixer truck or a concrete plant down. As changes take place in the ready mix concrete industry, you have enough headaches finding mixer technicians and truck drivers. At Mixer & Plant Parts, we understand you want to speak with knowledgeable people who know concrete batch plants and front discharge concrete mixer trucks and how important it is for the right parts to show up at your operation on time every time.

You've probably tried to call and place orders with large corporations and wonder if the person on the other end of the phone even understands what you are asking for. You may have even wondered if they even care about you as a human being.

Well, we've built Mixer & Plant Parts to deliver the peace of mind you need and to stay "Ready Mix Tough" when customer service is weakening all around you. We've built a "Ready Mix Tough" team who is:

- For YOU
- For Each Other
- For the Community - AND -
- For Making a Difference in the World

Meet Jake, Marc, and John who manage the excellent teams in our distribution centers in Grand Rapids, MI, Arlington, TX, and Rock Hill, SC and ensure your parts are assembled, picked, packed and shipped with extraordinary care.

Meet Jamie, the manager of our amazing sales team who have years of experience in the ready mix concrete and heavy duty trucking industry and are here to guide you to the right parts and deliver the peace of mind you and your company deserves. These folks are phenomenal at guiding customers to the right parts for their front discharge mixers, rear discharge mixers, and heavy duty trucks

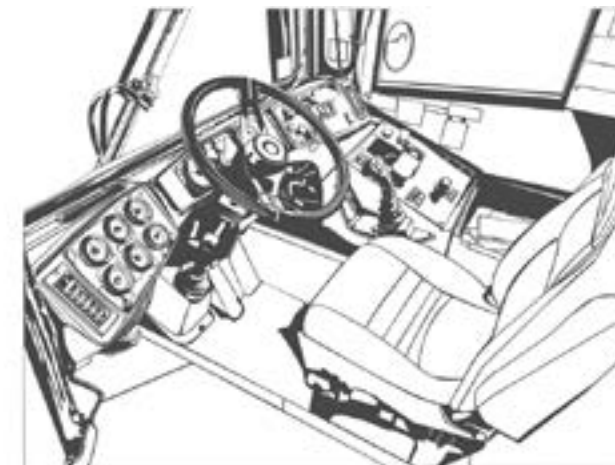
I'm also pleased to introduce Dan, leading a great team in our accounting department who work with your owners and bookkeepers to align our books and to deliver your invoices and statements on time every time.

Also please say hello to our operations, development, marketing, and information technology teams with Hannah, Mandy, Andrew, and myself - who are dedicated to leading our continually MProving organization with generosity and Love...yep...I said Love. Our goal is that in every interaction with MPParts, you'll feel a sense of belonging, recognition, peace of mind and receive an incredibly remarkable experience you can't wait to tell your friends and family about.

Brandon Syler - CEO, MPParts
brandon@mpparts.com

WEIGHTS AND MEASURES

UNIT	MAY BE SEEN AS
Feet	Foot, Ft, '
Gallon	Gal
Gigabytes	Gigs, Gbs, GB
Holes	Hls, HL
Inches	In, "
Inner Diameter	ID
Leafs	Lf
Length	L, lgth, Long
Liters	L, Ltrs
Millimeters	mm
Ounces	Oz
Outer Diameter	OD
Pieces	Pc, Pcs
Pounds	lbs
Quart	qt
Threads	Thrd
Tons	tonne
Voltage	V
Watts	W



**LH/RH is always from driver perspective.
So LH = roadside and RH = curbside**

.....
**Left Side can be seen as:
Left Side, LS, Left Hand, LH, Roadside, RDS**

.....
**Right Side can be seen as:
Right Side, RS, Right Hand, RH, Curbside, CBS**

Any reference to OEM names or OEM product identification numbers/descriptions/model numbers is for identification only and does not indicate that it is an OEM part. When ordering, customers have the option to order using industry references, OEM references or MPParts references.

MANUAL CHUTES

ASSEMBLIES

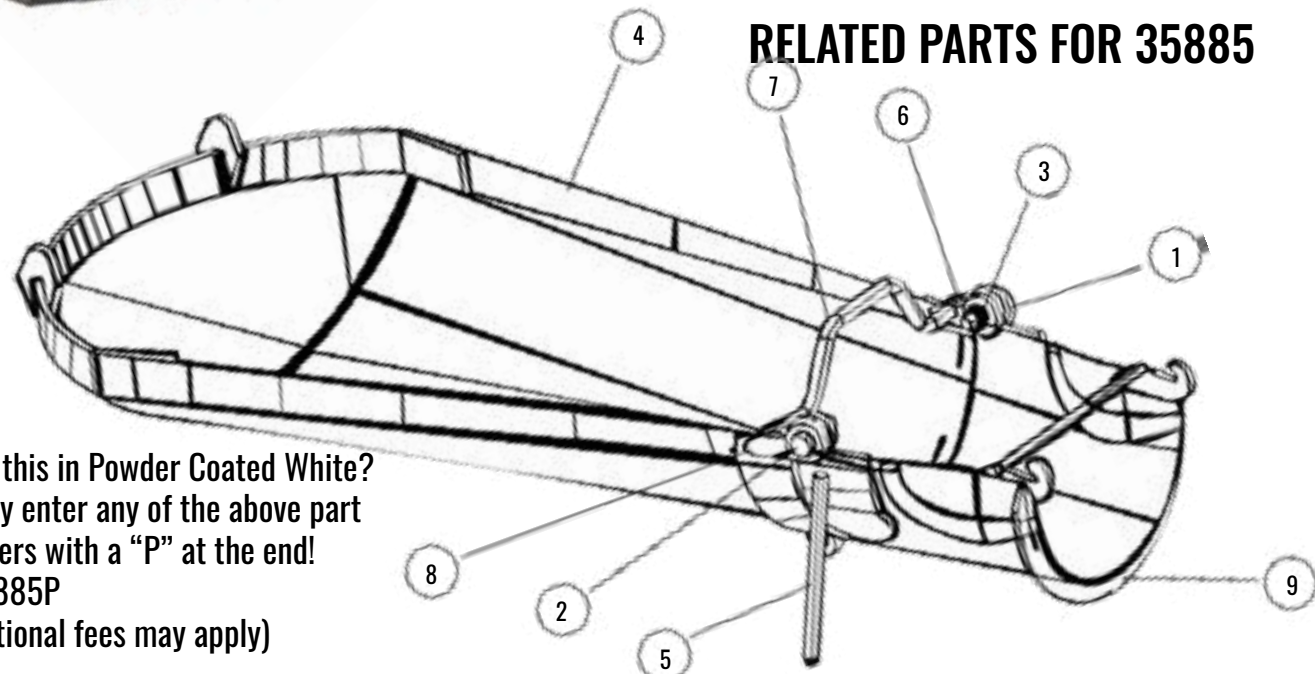
PART #	BRAND	DESCRIPTION	LINK
35885	Terex	Main and Flip Chute Assembly	link
22935	Terex	Main and Fold Back Chute Assembly	link
17157	Terex	Main and Fold Back Chute Assembly	link

for 16in Standard Extension Chutes



PART #	BRAND	DESCRIPTION	LINK
30104	HMC	Main and Flip Chute Assembly	link

RELATED PARTS FOR 35885



Want this in Powder Coated White?
Simply enter any of the above part numbers with a "P" at the end!
ie 35885P
(Additional fees may apply)

REF	PART #	BRAND	DESCRIPTION	QTY	LINK
1	12665	Terex	Flip Chute Hinge	2	link
2	19215	Terex	Grade 8 Hex Head Cap Screw 1-8 x 3.5	2	link
3	19355	Terex	1in #8 Thread Grade C Zinc Plated Hex Lock Nut	2	link
4	22848	Terex	44in Main Chute For Manual or Hydraulic Assemblies	1	link
5	22939	Terex	Chute Handle Weldment	2	link
6	22941	Terex	Manual Flip Hinge Spacer	2	link
7	30225	Terex	Main Chute Manual Support Bracket	1	link
8	31669	Terex	Roadside Flip Chute Hinge	2	link
9	36135	Terex	Manual Flip Chute Section	1	link



Main Chute Liner
PART # 19515
[link](#)

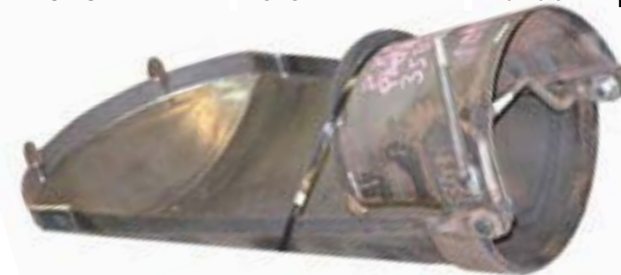
PRO TIP!

Standard extension chutes that fit the flips are usually 16" wide and paver chutes are usually 18" wide.

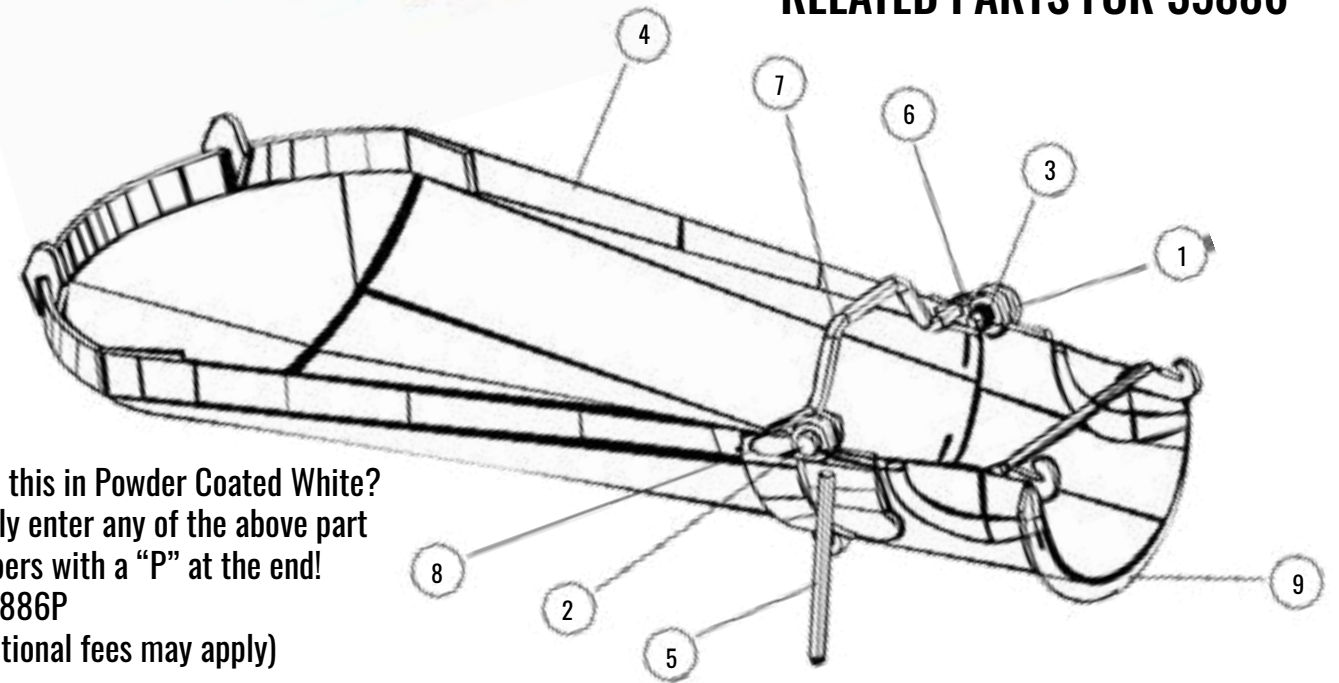
MANUAL CHUTES

PART #	BRAND	DESCRIPTION	LINK
35886	Terex	Manual Flip Paver Main Chute Weldment	link
22943	Terex	Manual Flip Paver Main Chute Weldment	link

for 18in Standard Extension Chutes



RELATED PARTS FOR 35886



Want this in Powder Coated White?
Simply enter any of the above part numbers with a "P" at the end!
ie 35886P
(Additional fees may apply)

REF	PART #	BRAND	DESCRIPTION	QTY	LINK
1	12665	Terex	Flip Chute Hinge	2	link
2	19215	Terex	Grade 8 Hex Head Cap Screw 1-8 x 3.5	2	link
3	19355	Terex	1in #8 Thread Grade C Zinc Plated Hex Lock Nut	2	link
4	22848	Terex	44in Main Chute For Manual or Hydraulic Assemblies	1	link
5	22939	Terex	Chute Handle Weldment	2	link
6	22941	Terex	Manual Flip Hinge Spacer	2	link
7	30225	Terex	Main Chute Manual Support Bracket	1	link
8	31669	Terex	Roadside Flip Chute Hinge	2	link
9	36135	Terex	Manual Flip Chute Section	1	link



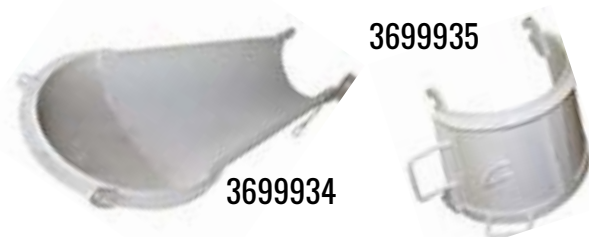
Main Chute Liner
#19515
[link](#)



Foldback Flip Chute Liner
#20829
[link](#)

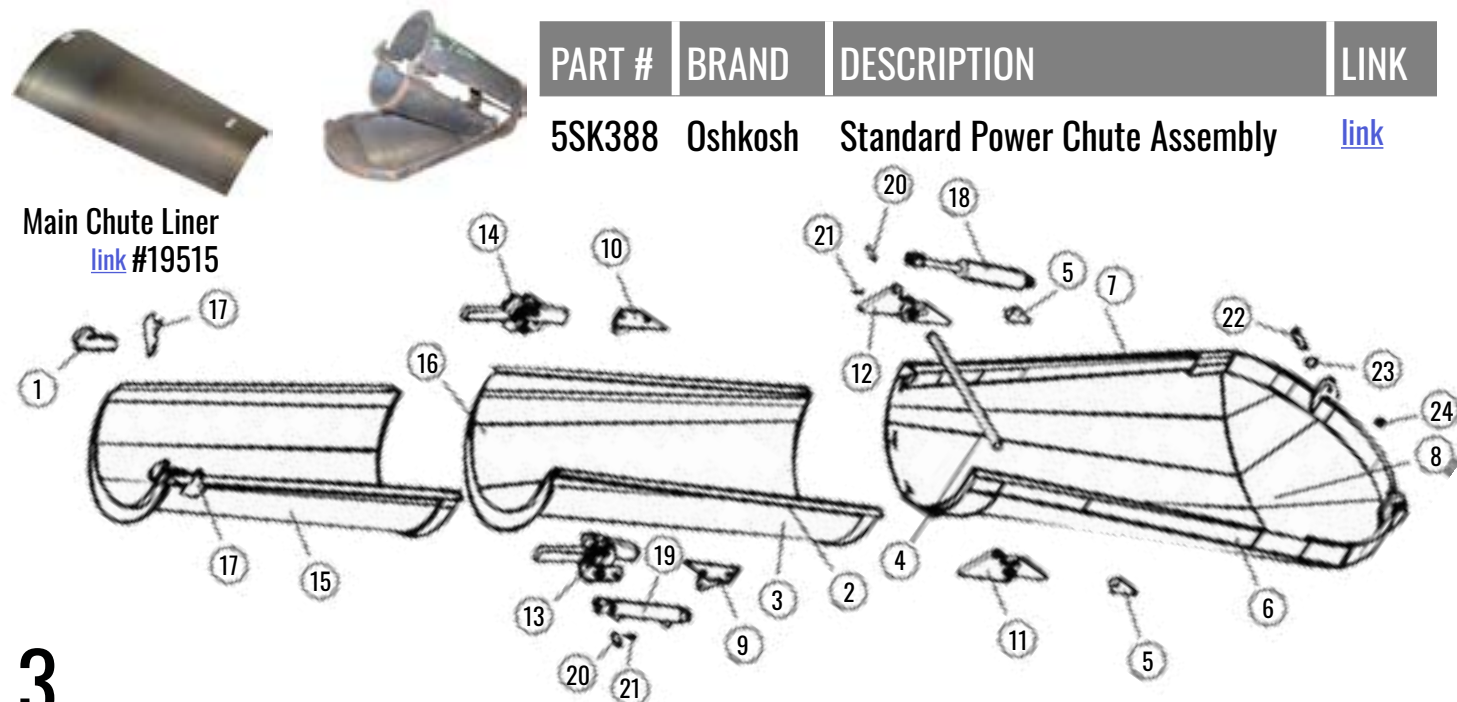
MANUAL CHUTES

ITEM	PART #	BRAND	DESCRIPTION	UOM	QTY	LINK
1	3641566	Oshkosh	Main & Flip Chute Assembly	2	1	link
2	3699934	Oshkosh	Manual Flip Main Chute	2	1	link
3	3699935	Oshkosh	Foldback-Foldover Chute	2	1	link
4	125625A	Oshkosh	Grade 8 Hex Head Cap Screw - 7/8-9 x 4in	1	2	link
5	3641481	Oshkosh	7/8-9 Grade 8 Flanged Locknut	2	2	link
6	48708AX	Oshkosh	7/8in SAE Flat Washer Aftermarket Replacement	2	4	link
7	1755400	Oshkosh	Short Straight Grease Fitting - 1/4-28in	1	2	link



POWER CHUTES

PART #	BRAND	DESCRIPTION	LINK
37787	Terex	Standard Power Chute Assembly	link
35889	Terex	Standard Power Chute Assembly	link
22967	Terex	Standard Power Chute Assembly	link
32180	HMC	Standard Aluminum Extension Chute	link



POWER CHUTES

RELATED PARTS FOR 37787 & 29797

REF	PART #	BRAND	DESCRIPTION	QTY	LINK
1	12664	Terex	Main Chute Hook	2	link
2	19014	Terex	Grade 2 Hex Nut 5/16in-18	2	link
3	19091	Terex	Nut	2	link
4	20585	Terex	Main Chute Hinge Support Rod	1	link
5	21840	Terex	Main Chute Hydraulic Cylinder Lug	2	link
6	21849	Terex	Left Side Hydraulic Main Chute Rail	1	link
7	21850	Terex	Right Side Hydraulic Main Chute Rail	1	link
8	21847	Terex	44in Main Chute For Manual or Hydraulic Assemblies	1	link
9	22863	Terex	Weldment,#2 Sec Roadside Hydraulic Pivot Base	1	link
10	22864	Terex	Weldment,#2 Sec Curbside Hydraulic Pivot Base	1	link
11	28744	Terex	Left Hand Main-Flip Hydraulic Chute Hinge Assembly	1	link
12	28745	Terex	RH and LH Main-Flip Hydraulic Chute Hinge Assembly	1	link
13	28746	Terex	Hydraulic Chute Hinge Assembly LH Flip 2-3	1	link
14	28747	Terex	Hydraulic Chute Hinge Assembly RH Flip 2-3	1	link
15	35879/ 35880	Terex	#3 Paver Hydraulic Flip Chute Weldment	1	link / link
16	35881	Terex	#2 Chute Section Weldment	1	link
18	31683	Terex	Power Chute Cylinder Offset Ports	2	link
19	16099	Terex	Hydraulic Power Chute Cylinder for Chute Fold Assembly	2	link
20	19205	Terex	.5in x 1.5in Clevis Pin	8	link
21	19060	Terex	Cotter Pin 1/8in x 1in	8	link
22	19097	Terex	Shoulder Bolt For Mounting Main Chutes to the Chute Race	2	link
23	19039	Terex	Structural Washer - 3/4in ASTM	2	link
24	19351	Terex	5/8in Grade C Top Lock Nut	2	link

PART #	BRAND	DESCRIPTION	LINK
29797	Terex	Power Chute Assembly with 4th Manual Flip, Cylinders, and Hoses	link

SEE ABOVE FOR RELATED PARTS.

POWER CHUTES

PART #	BRAND	DESCRIPTION	LINK
3646506P	Oshkosh	Standard Powder Coated White Chute Assembly	link
3362819P	Oshkosh	Standard Powder Coated White Chute Assembly	link
3646506	Oshkosh	Standard Chute Assembly	link
MCN3646506	Oshkosh	Standard Chute Assembly	link



RELATED PARTS FOR 3646506

PART #	BRAND	DESCRIPTION	QTY	LINK
3667977	Oshkosh	#1 Hydraulic Power Main Chute Aftermarket Replacement	1	link
3363935	Oshkosh	Hydraulic #2 Power Chute (Bushing Style) Aftermarket Replacement	1	link
3351887	Oshkosh	Hydraulic #3 Power Chute Aftermarket Replacement	1	link
3318758	Oshkosh	Spring Bushing Aftermarket Replacement	2	link
3318778	Oshkosh	Hydraulic Foldover Lock Aftermarket Replacement	1	link
27937AX	Oshkosh	Hex Head Cap Screw 1/2-13X2 1/2 Aftermarket Replacement	1	link
02005354	McNeilus	Grade 8 Plated Flatwasher Aftermarket Replacement	2	link
60860AX	Oshkosh	Hex Locknut 1/2-13 Aftermarket Replacement	1	link
3307311	Oshkosh	Power Chute Shoulder Bolt 1 x 2-1/2 x 3/4-10 Aftermarket	2	link
110312A	Oshkosh	Locknut 3/4-10 Aftermarket Replacement	2	link
3281946	Oshkosh	Spring Bushing 7/8 x 3/4 x 3/4 Aftermarket Replacement	4	link
3307312	Oshkosh	Shoulder Bolt for Power Chutes Aftermarket Replacement	2	link
3138632	Oshkosh	Power Chute Washer 3/4" ID x 1-1/4" OD x 1/8" Thick Aftermarket	2	link
110311A	Oshkosh	Locknut 5/8-11 Flanged Hex Grade 8 Aftermarket Replacement	2	link
3323624	Oshkosh	Hydraulic Power Chute Lever Arm Aftermarket Replacement	2	link
3281945	Oshkosh	Spring Bushing 5/8 x 1/2 x 3/4 Aftermarket Replacement	8	link
3307313	Oshkosh	Power Chute Shoulder Bolt 1/2 x 1 3/4 Aftermarket Replacement	2	link
720HX2	Oshkosh	Flat Washer 1/2" SAE Aftermarket Replacement	6	link
115307A	Oshkosh	Grade 8 Flanged Locknut 3/8-16 Aftermarket Replacement	6	link
3281944	Oshkosh	Spring Bushing 5/8 x 1/2 x 1/2 Aftermarket Replacement	4	link
10061076	Schwing	Cone Seal	2	link
500444002	White	White Hydraulics Re-Seal Kit	2	link

POWER CHUTES

PART #	BRAND	DESCRIPTION	LINK
30105	HMC	3 Piece Standard Power Chute Assembly	link
30106	HMC	4 Piece Standard Power Chute Assembly	link
30102	HMC	3 Piece Paver Power Chute Assembly	link
30103	HMC	4 Piece Paver Power Chute Assembly	link
33450	HMC	Standard Manual Main Chute	link
30750	HMC	Hydraulic Main Chute	link
31170	HMC	Paver #2 Power Chute	link
31160	HMC	Paver #3 Power Chute	link
31150	HMC	Standard #2 Power Chute	link
34120	HMC	Standard #3 Power Chute	link
31250	HMC	Paver #4 Power Chute	link
32840	HMC	Standard #4 Power Chute	link
30104	HMC	Main and Flip Chute Assembly	link
32650	HMC	Manual Flip Chute for 16in Wide Standard Extension Chutes	link
33320	HMC	Manual Flip Chute for 18in Wide Paver Extension Chutes	link
31350	HMC	18in Aluminum Paver Chute With Liner	link
32190	HMC	18in Aluminum Paver Chute	link
31310	HMC	18in Chute Spout	link



EXTENSIONS

STEEL EXTENSION CHUTES

PART #	BRAND	DESCRIPTION	LINK
12666	Terex	Standard Steel Extension Chute	link
12666P	Terex	White Powder Coated Steel Extension Chute	link
15316	Terex	18in Wide Paver Extension Chute	link
15316P	Terex	18in Wide Paver Extension Chute - Powder Coated	link

05020	McNeilus	Universal Steel Extension Chute Liner	link
-------	----------	---------------------------------------	----------------------

ALUMINUM EXTENSION CHUTES

PART #	BRAND	DESCRIPTION	LINK
12674	Terex	Standard Aluminum Extension Chute	link
12674P	Terex	Standard Aluminum Extension Chute - Powder Coated	link
20299	Terex	Unpainted Aluminum Extension Chute with Liner	link
20299P	Terex	Aluminum Standard Extension Chute Powder Coated with Liner	link
23521	Terex	Unpainted Premium Chute Extension with Liner	link
18068	Terex	18in Aluminum Paver Chute	link
18068P	Terex	Aluminum Paver Extension Chute - 18in Wide Powder Coated White	link
18068L	Terex	18in Aluminum Paver Chute With Liner	link

20105	Terex	Aluminum Extension Chute Liner - 4ft Standard	link
-------	-------	---	----------------------



HOPPERS

HOPPERS

PART #	BRAND	DESCRIPTION	LINK
17028	Terex	36in - 42in Charge Hopper without Kick	link

29480	Terex	One Piece Hopper Liner	link
-------	-------	------------------------	----------------------



PART #	BRAND	DESCRIPTION	LINK
17103	Terex	Complete Air Charge Hopper with Cylinders	link

17029	Terex	Charge Hopper Body Liner	link
-------	-------	--------------------------	----------------------

30238	Terex	Hopper Lower Lip Liner	link
-------	-------	------------------------	----------------------

23276	Terex	Greaseable Flip Hopper Hinge Assembly	link
-------	-------	---------------------------------------	----------------------

23043	Terex	Flip Hopper Air Cylinder with 3in Bore	link
-------	-------	--	----------------------

PART #	BRAND	DESCRIPTION	LINK
22791	Terex	36in - 42in Charge Hopper with Kick	link

24374	Terex	Charge Hopper Liner	link
-------	-------	---------------------	----------------------

22789	Terex	44in Charge Hopper With Kicker	link
-------	-------	--------------------------------	----------------------

PART #	BRAND	DESCRIPTION	LINK
543007	Indiana Phoenix	Charge Hopper	link

34070	Indiana Phoenix	Hopper Air Cylinder	link
-------	-----------------	---------------------	----------------------

30180	Indiana Phoenix	1 Piece Charge Hopper Liner	-
-------	-----------------	-----------------------------	---



PART #	BRAND	DESCRIPTION	LINK
17151	Terex	44in Charge Hopper without Kicker	link

29480	Terex	One Piece Hopper Liner	link
-------	-------	------------------------	----------------------

PART #	BRAND	DESCRIPTION	LINK
2285630W	Oshkosh	'95-'98 Charging Hopper	link

2285630WL	Oshkosh	'95-'98 Hopper Liner	link
-----------	---------	----------------------	----------------------

2224280	Oshkosh	Add Water Pipe	link
---------	---------	----------------	----------------------

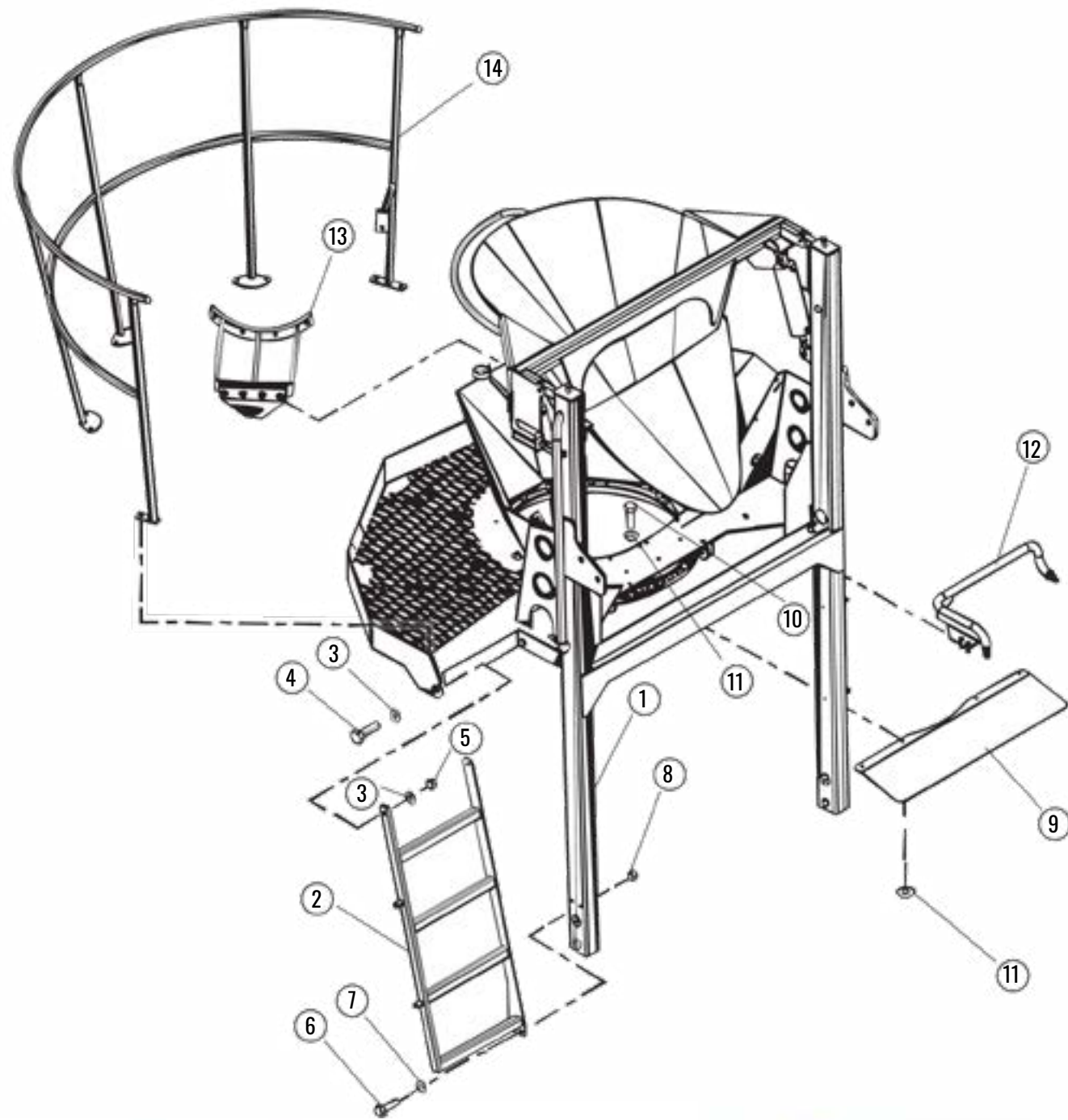


PART #	BRAND	DESCRIPTION	LINK
3281206	Oshkosh	'99-Current Hopper	link

2196040	Oshkosh	Hopper Air Cylinder	link
---------	---------	---------------------	----------------------

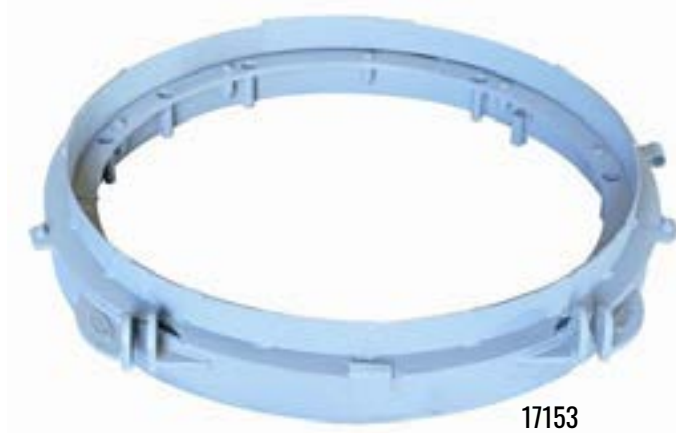
2224280	Oshkosh	Add Water Pipe	link
---------	---------	----------------	----------------------

UPRIGHTS



UPRIGHTS

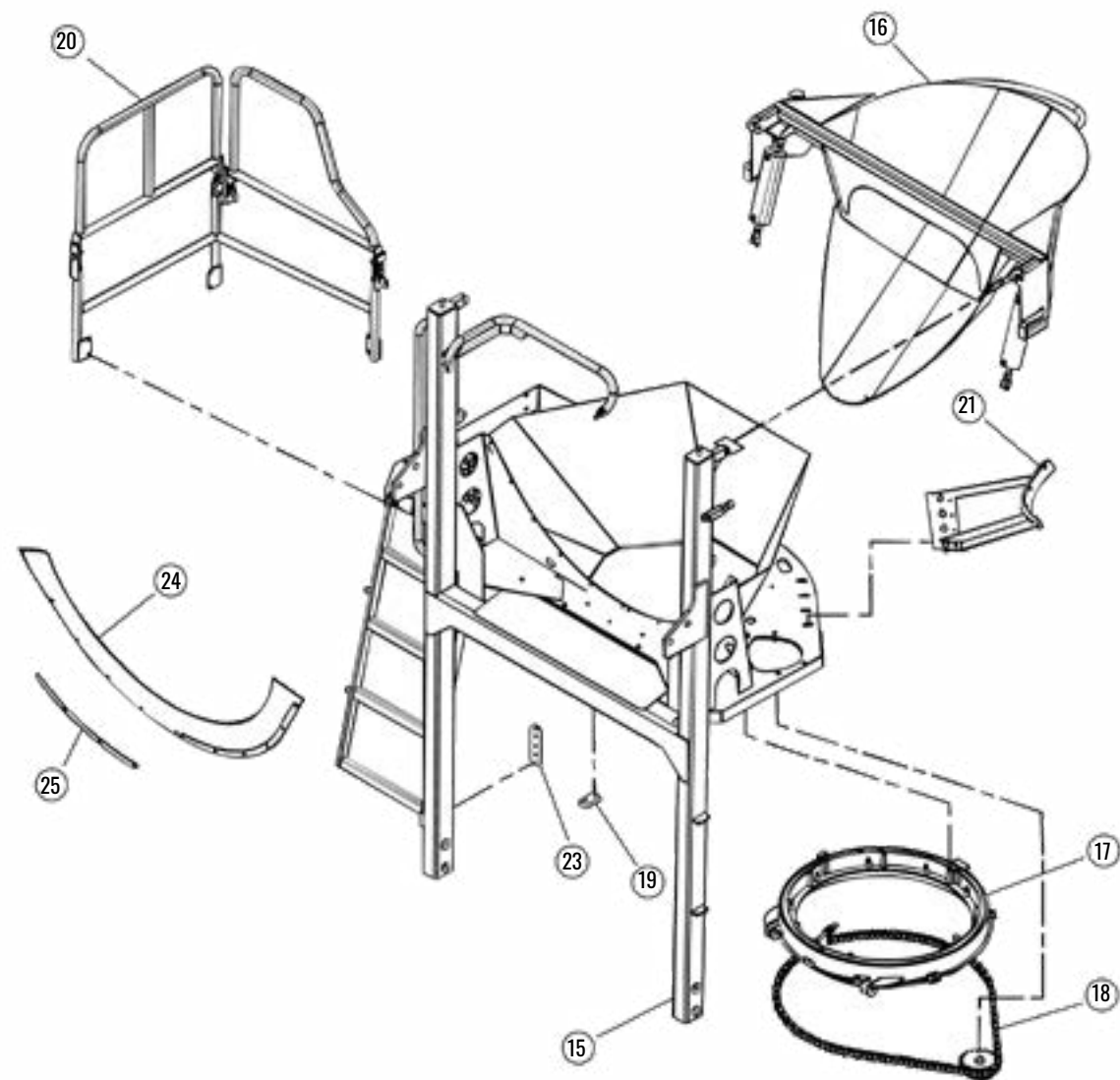
REF	PART #	BRAND	DESCRIPTION	QTY	LINK
1	33655	Terex	Upright Assembly with Tilt-down Railing - Post 2014	1	link
2	33375	Terex	Upright Ladder	1	link
3	19093	Terex	Structural Washer	4	link
4	19114	Housby	Main Chute Pivot Pin	2	link
5	19354	Terex	Autostyle Nut	2	link
6	19105	Terex	3/8in x 1in Grade 8 Hex Head Cap Screw Bolt	2	link
7	19045	Terex	Flat Washer - 3/8in GR2	2	link
8	19353	Terex	3/8in Zinc Plated Grade C Top Lock Nut	2	link
9	33385	Terex	Upright Plastic Cab Shield Guard 2013	1	link
10	19029	Terex	1/4in-20 Stainless Steel Hex Head Cap Screw Bolt	4	link
11	19053	Terex	1/4in Zinc Plated SAE Flat Washer	8	link
12	33541	Terex	Add Water Injection Tube Assembly	1	link
13	34507/34527	Terex	Hydraulic Chute Rest Saddle - Full Wrap Handrail/ Handrail Paver	1	link / link
14	36449	Terex	Full Wrap Handrail	1	link



PART #	BRAND	DESCRIPTION	LINK
22394	Terex	44in Collection Chute Upright with Railing	link
22748	Terex	Catwalk Fold Down Railing Assembly	link
17104	Terex	Catwalk	link
17031	Terex	42in Upright with Folding Rail	link

PART #	BRAND	DESCRIPTION	LINK
17153	Terex	Ball Bearing Main Chute Race for 44in Drum Opening	link
13503	Terex	Ball Bearing (1)	link
		36in 113 Bearings	
		42in 125 Bearings	
		44in 160 Bearings	

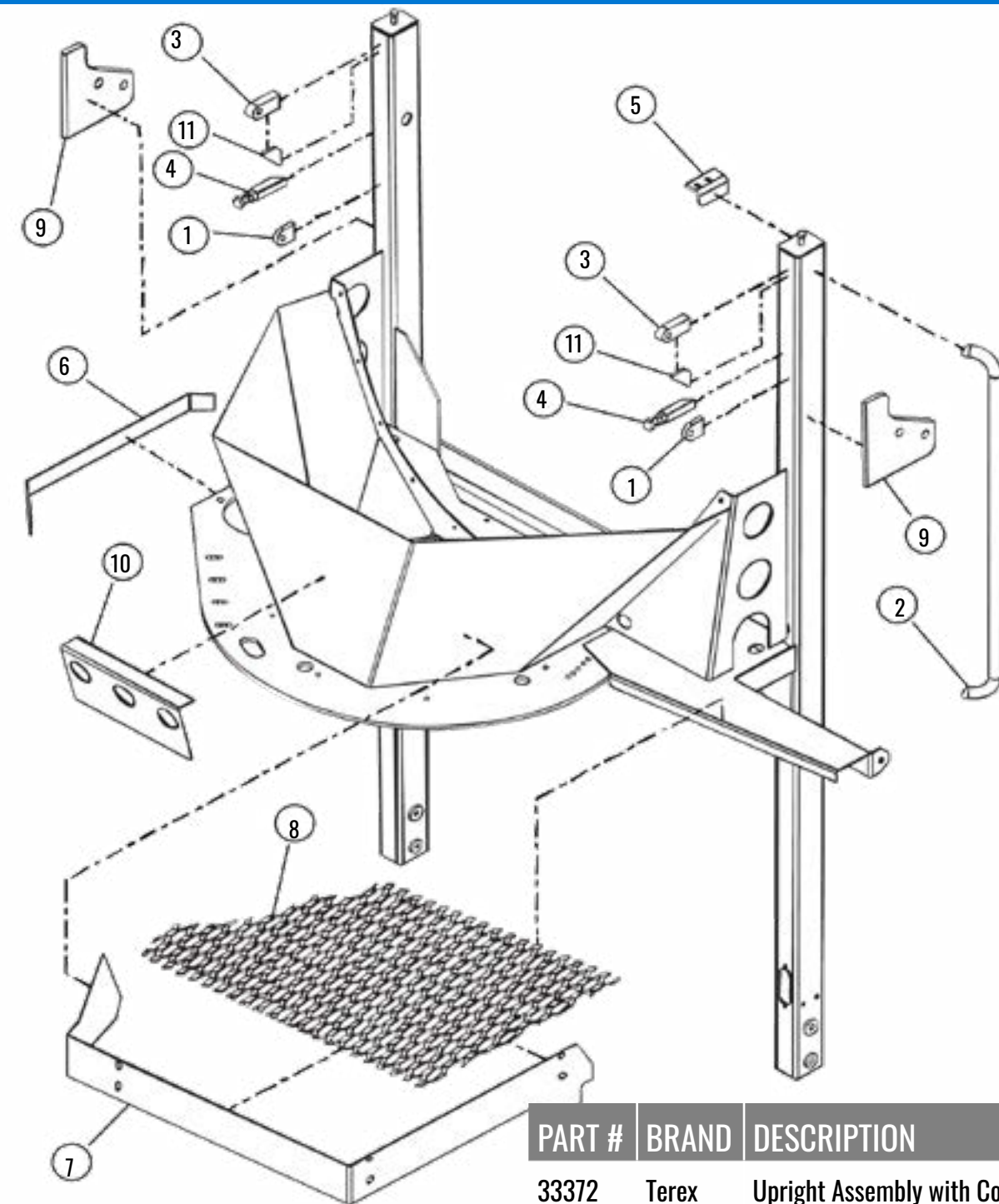
UPRIGHTS



* Items 22, 26, & 27 are not shown in the illustration.

REF	PART #	BRAND	DESCRIPTION	QTY	LINK
15	33372	Terex	Standard Cab Upright Assembly with Collector	1	link
16	31630	Terex	Air Charge Hopper Assembly With Cylinders	1	link
17	32253	Terex	2010 Main Chute Race Assembly	1	link
19	32280	Terex	Chute Rotation Stop Block Plate	2	link
20	33586	Terex	Fold-down Catwalk Railing - Post 2013	1	link
21	34299	Terex	Hydraulic Chute Rest Saddle - Folding Handrail	1	link
23	34607	Terex	Grease Zerk Mounting Plate	1	link
24	30279	Terex	One Piece Drum Wiper Post 2013 Trucks	1	link
25	30237	Terex	Drum Wiper Strap with Holes for 30279 Drum Wiper	2	link
26*	29374	Terex	One Piece Main Chute Boot	1	link
27*	12649	Terex	Chute Boot Clamp For 29374	1	link

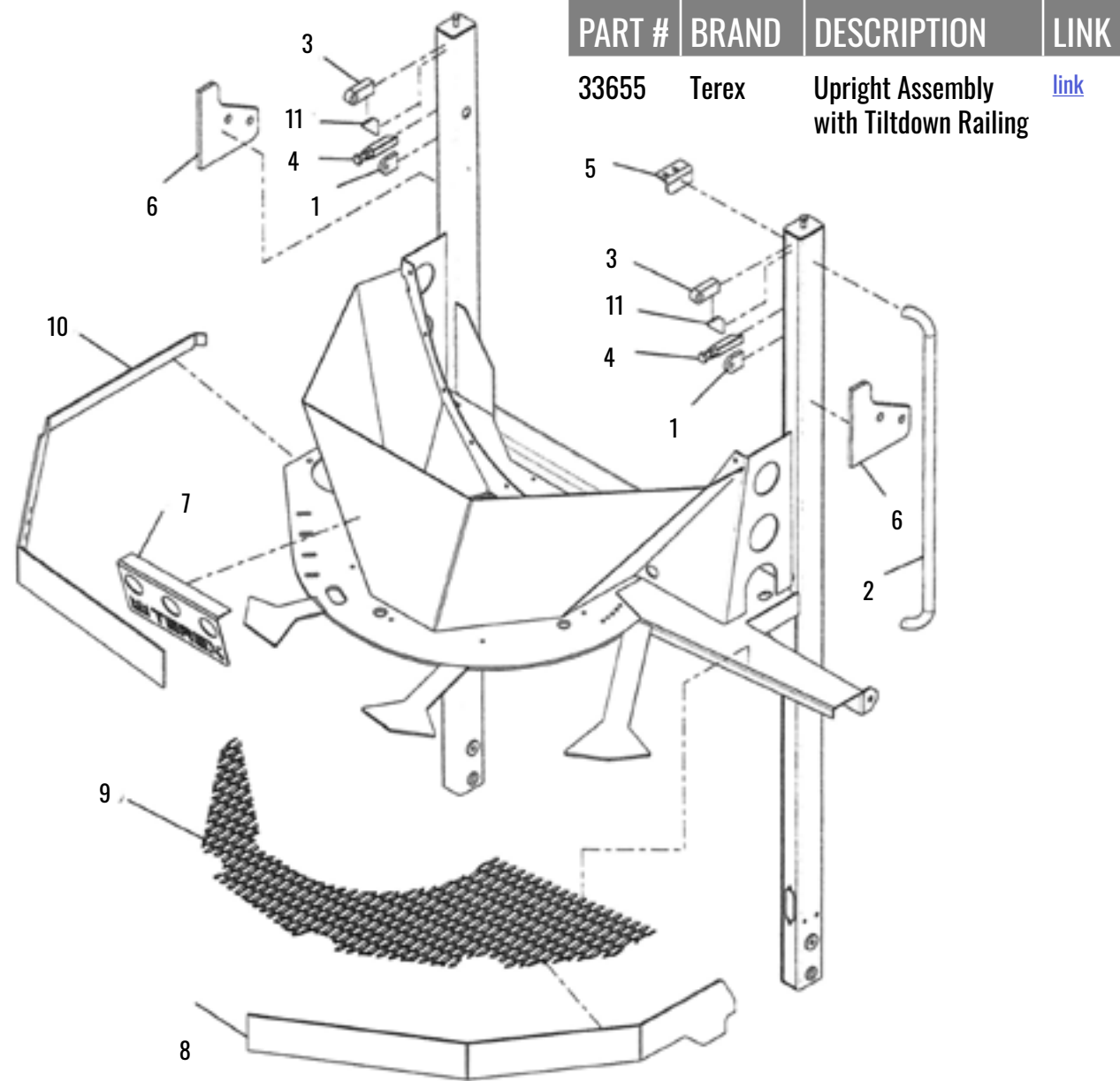
UPRIGHTS



PART #	BRAND	DESCRIPTION	LINK
33372	Terex	Upright Assembly with Collector	link

REF	PART #	BRAND	DESCRIPTION	QTY	LINK
1	23835	Terex	Air Cylinder Pivot Base	2	link
2	24077	Terex	Grab Handle Upright Tube	1	link
3	24078	Terex	Charge Hopper Pivot Block	2	link
4	24084	Terex	Charge Hopper Stop	2	link
7	33383	Terex	Upright Catwalk Wrap Strap	1	link
8	33386	Terex	Catwalk Upright Standard Cab	1	link

UPRIGHTS



PART #	BRAND	DESCRIPTION	LINK
33655	Terex	Upright Assembly with Tiltdown Railing	link

REF	PART #	BRAND	DESCRIPTION	QTY	LINK
1	23835	Terex	Air Cylinder Pivot Base	2	link
2	24077	Terex	Upright Grab Handle Tube	1	link
3	24078	Terex	Charge Hopper Pivot Plock	2	link
4	24084	Terex	Charge Hopper Stop	2	link
8	33659	Terex	MY!3 Full Wrap Catwalk Strap	1	link
9	33660	Terex	Full Wrap Standard Cap Upright Catwalk	1	link
10	33694	Terex	2013 Curbside Full Wrap Catwalk Strap	1	link

UPRIGHTS



3320112



30440

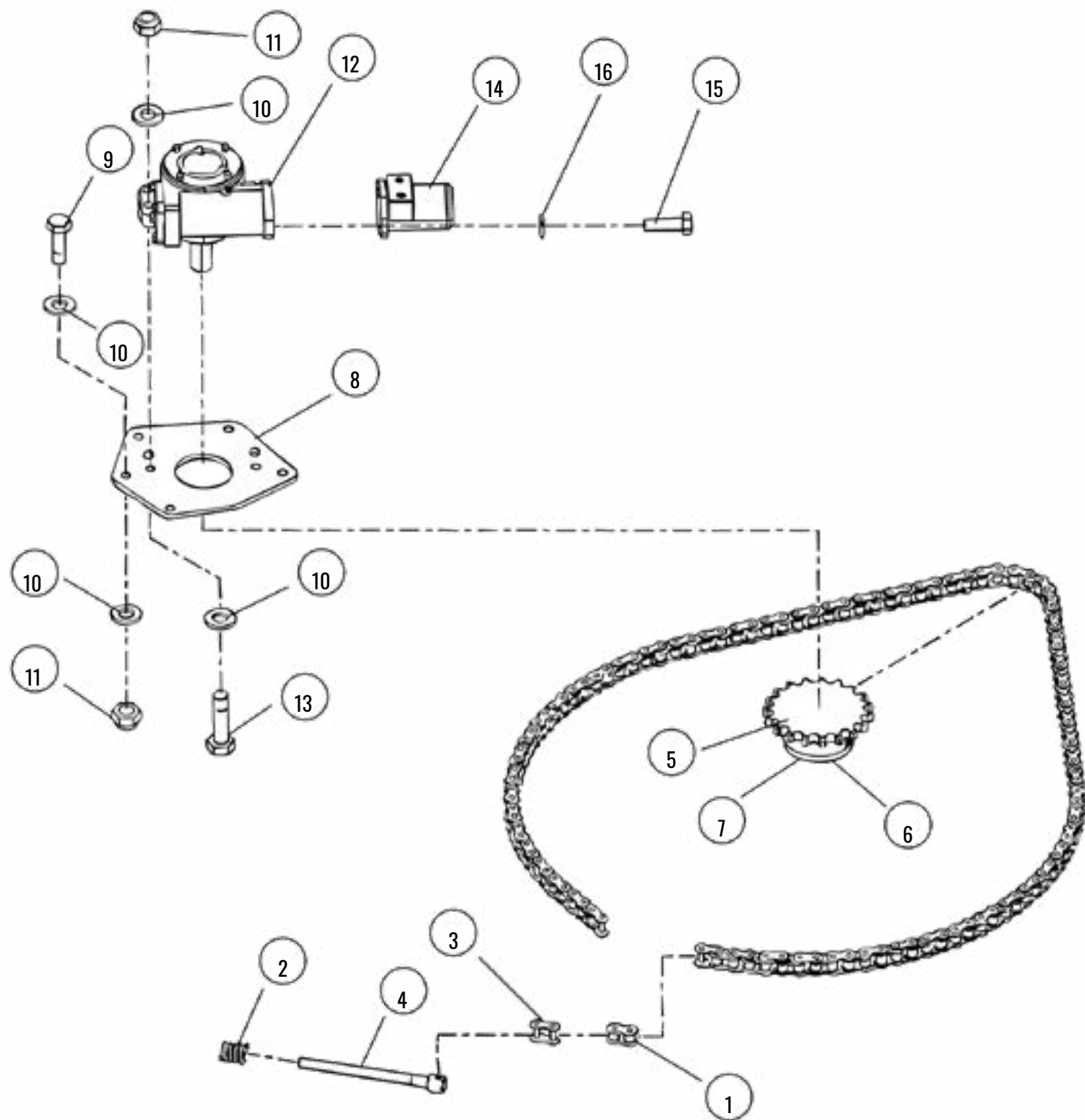
PART #	BRAND	DESCRIPTION	LINK
3320112	Oshkosh	Discharge Hopper - Collector Chute	link
3334973	Oshkosh	Rubber Drum Wiper	link

PART #	BRAND	DESCRIPTION	LINK
30660	Terex	36in - 42in Charge Hopper with Kick	link
30440	Indiana Phoenix	One Piece Drum Wiper	link

PART #	BRAND	DESCRIPTION	LINK
30660	Terex	44in Bare Upright Assembly (Includes Chute Race)	link
521008	Indiana Phoenix	44in Chute Race	link

CHUTE SWINGS

ASSEMBLIES



PART #	DESCRIPTION	LINK
	Chute Swing Assembly	--

CHUTE SWINGS

REF	PART #	BRAND	DESCRIPTION	QTY	LINK
1	14478	Terex	Mixer Chute Swing Chain #80 - Sold Per Foot	10ft	link
2	11709	Terex	Chute Swing Chain Spring	1	link
4	22946	Terex	Chute Swing Chain Tensioner Adjustment Bolt	1	link
5	14480	Terex	19 Tooth Sprocket	1	link
6	30088	Terex	Tulsa Gear Shaft Key	1	link
7	16874	Terex	Split Taper Bushing	1	link
8	33380	Terex	Chute Swing Gearbox Mounting Plate	1	link
9	19156	Terex	Grade 8 Hex Head Cap Screw Bolt 5/8-11 x 1-3/4in	5	link
10	19086	Terex	5/8in ASTM Structural Washer	18	link
11	19351	Terex	5/8in Grade C Top Lock Nut	9	link
12	12651	Terex	Tulsa Winch Chute Swing Gearbox	1	link
13	19121	Terex	Grade 8 Hex Head Cap Screw Bolt 5/8in-11 x 2.5in	4	link
14	33405	Terex	Hydraulic Chute Swing Motor	1	link
15	19113	Terex	Grade 8 Hex Head Cap Screw Bolt .5in x 1.5in	2	link
17	12203*	Terex	8-10 JIC 90 Degree Elbow Standard Third O-Ring Fitting	2	link

*Item 17 is not shown in the illustration.



PART #	BRAND	DESCRIPTION	LINK
2178720	Oshkosh	Chute Race Segment*	link
3202884	Oshkosh	Chute Race Segment*	link

*Need 6 per Chute Race

PART #	BRAND	DESCRIPTION	LINK
2178730	Oshkosh	Chute Race Plastic Ring	link
3202885	Oshkosh	Chute Race Plastic Ring	link

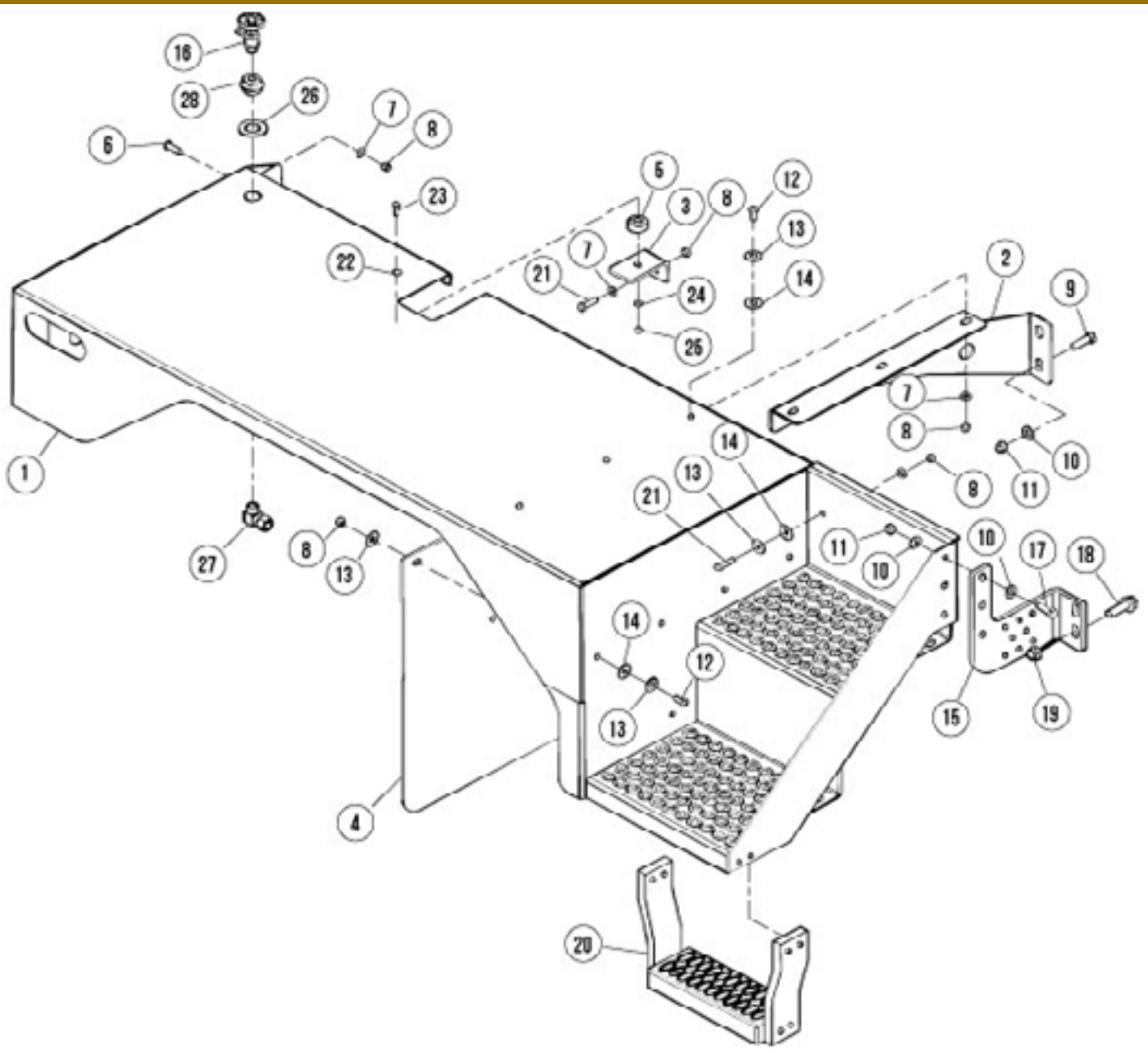
SPARE PARTS FOR OSHKOSH 82F CHUTE TURNTABLE & GEARBOX

PART #	BRAND	DESCRIPTION	QTY	LINK
3694690	Oshkosh	Chute Swing Gearbox Turntable 2006+	1	link
740HX1	Oshkosh	Grade 5 .5-13 x 1 Hex Head Cap Screw	4	--
355AX	Oshkosh	Lock Washer	4	link
2182010	Oshkosh	Hydraulic Chute Swing Motor (Seal Kit is 3HD185)	1	link
420AX1	Oshkosh	Grade 5 .38-16 x 1 Hex Head Cap Screw	4	link
65270AX	Oshkosh	#242 Locktite		--
27621AX	Oshkosh	85W 140 Gear Lubricant	3	--
32676AX	Oshkosh	Chute Swing Gearbox Mounting Plate	20	--
32677AX	Oshkosh	Stainless Steel .25-20 LKNY Hex Nut	40	--
1937720	Oshkosh	Capscrew	20	--
3202882	Oshkosh	Lower Turntable	1	link
3202890	Oshkosh	Mixer Chute Swing Chain #80	1	link
2178700	Oshkosh	Chute Swing Chain Tensioner Adjustment Bolt	2	link
3239FX	Oshkosh	.62in-18 Thread Zinc Jam Nut	4	link
3200657	Oshkosh	Upper Turntable	1	link
14691FX	Oshkosh	.25-28 Straight Grease Zerk	3	--
3202884	Oshkosh	Chute Race Segment	6	link
3202885	Oshkosh	Chute Race Plastic Ring	1	link
3202886	Oshkosh	Chute Race Segment Swivel Retainer Plate	3	link
715HX1	Oshkosh	3/8-16X1 1/4" Grade 5 Hex Cap Screw	12	link
351AX	Oshkosh	3/8in Zinc Plated Split Lock Washer	12	link
3212328	Oshkosh	Chute Swing Chain Spring	2	link
2289HX	Oshkosh	1.12 Inner Diameter Cushion Clip	1	--
3HD185	Oshkosh	Seal Kit for 2182010 Hydraulic Chute Swing Motor		link

PART #	BRAND	DESCRIPTION	LINK
365103	Indiana Phoenix	Brass Gear for Chute Swing Gearbox	link
735111	Indiana Phoenix	Hydraulic Chute Swing Motor	link
30060	Indiana Phoenix	Mixer Chute Chain #80	link
30551	Indiana Phoenix	Chute Swing Gearbox Sprocket	link
30580	Indiana Phoenix	Mixer Chute Chain #80 Master Link	link

PAGE
INTENTIONALLY
LEFT
BLANK

FENDERS



PART #	BRAND	DESCRIPTION	LINK
--------	-------	-------------	------

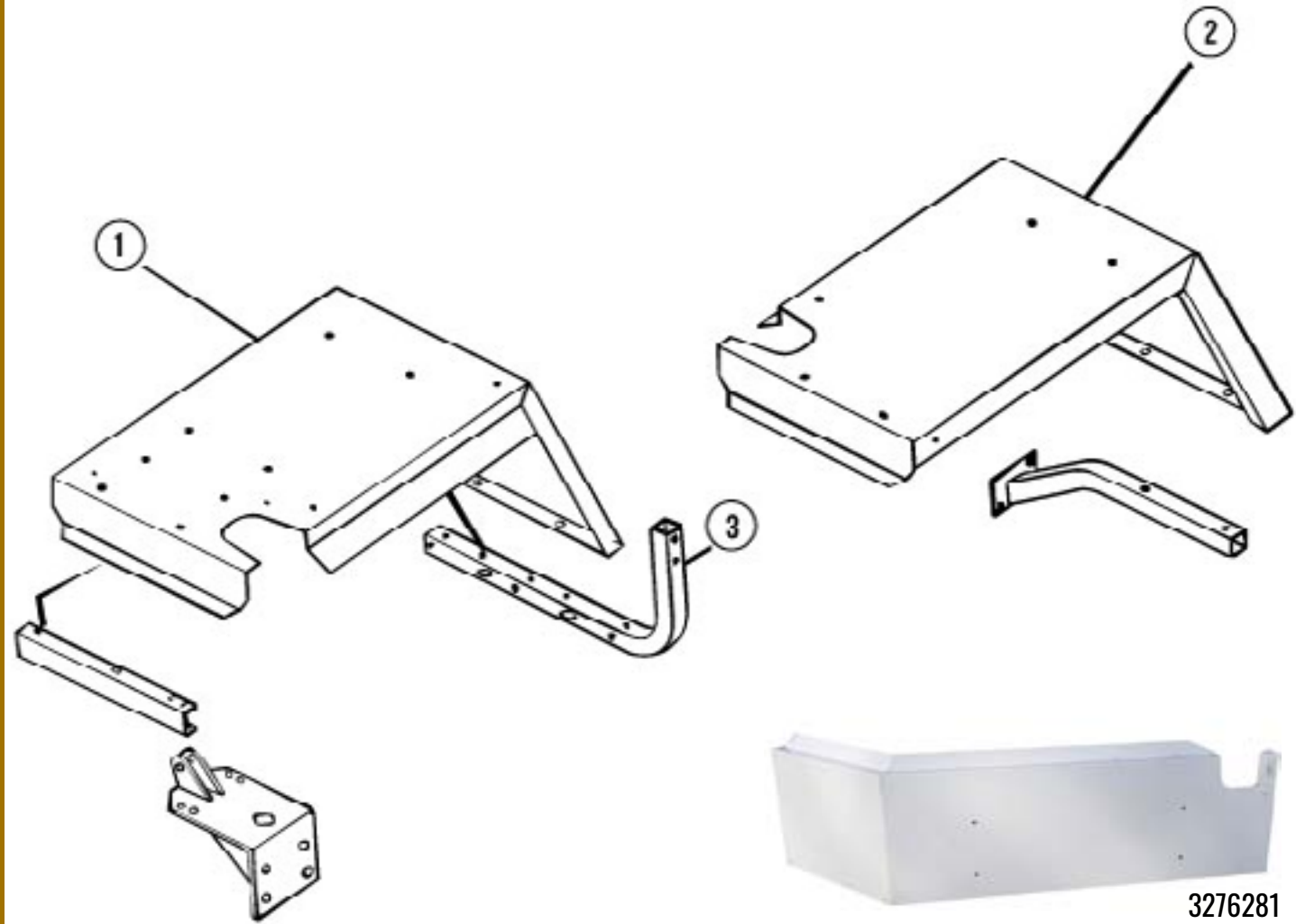


FENDERS

REF	PART #	BRAND	DESCRIPTION	LINK
1	34263	Terex	Left Side Front Fender MY14	link
2	33435	Terex	Front Fender Support	link
3	33446	Terex	Front Fender Support MY13	link
4	33809	Terex	Left Hand Front Fender Mudflap	link
5	33872	Terex	Rubber Bumper	link
6	19142	Terex	Button Socket Head Machine Screw	link
7	19272	Terex	3/8in SAE HHS PF Flat Washer	link
8	19353	Terex	3.8in-16 Zinc Plated Grade C Top Lock Nut	link
10	19093	Terex	Structural Washer	link
11	19354	Terex	Autostyle Nut	link
12	19123	Terex	3.8in-16 x 1in PF BHCSC Bolt	link
13	22288	Terex	3.8in x 1-1/4in Zinc Plated Fender Washer	link
14	19308	Terex	3.8in Flat PVC Fender Washer	link
15	33436 / 34905	Terex	Left Hand Rear Front Fender Support Bracket MY13 / MY14	link / link
16	13106	Terex	Brass Washdown Hose Water Valve	link
17	19113	Terex	.5in x 1.5in Grade 8 HHCS Bolt	link
18	14464	Terex	5/8in x 18 x 2in PO Flange Bolt	link
19	14461	Terex	5/8in-18 Grade 8 Flange Lock Nut	link
20	33461	Terex	Cab Step for Post 2013 Mixers	link
21	19109	Terex	3.8in-16 x 1-1.2in Grade 8 PF HHCS Bolt	link
22	19053	Terex	1.4in SAE Zinc Plated Flat Washer	link
23	19029	Terex	1/4in-20 x 1-1/4in Stainless Steel HHCS Bolt	link
24	19015	Terex	1/4in Stainless Steel Flat Washer	link
25	19352	Terex	1/4in-20 Zinc Plated Lock Nut	link
27	11789	Terex	3/4in TOD x 1/2in NPT 90 Degree Elbow Fitting	link
28	12231	Terex	1/2in NPT Brass Bulkhead Pipe Fitting	link



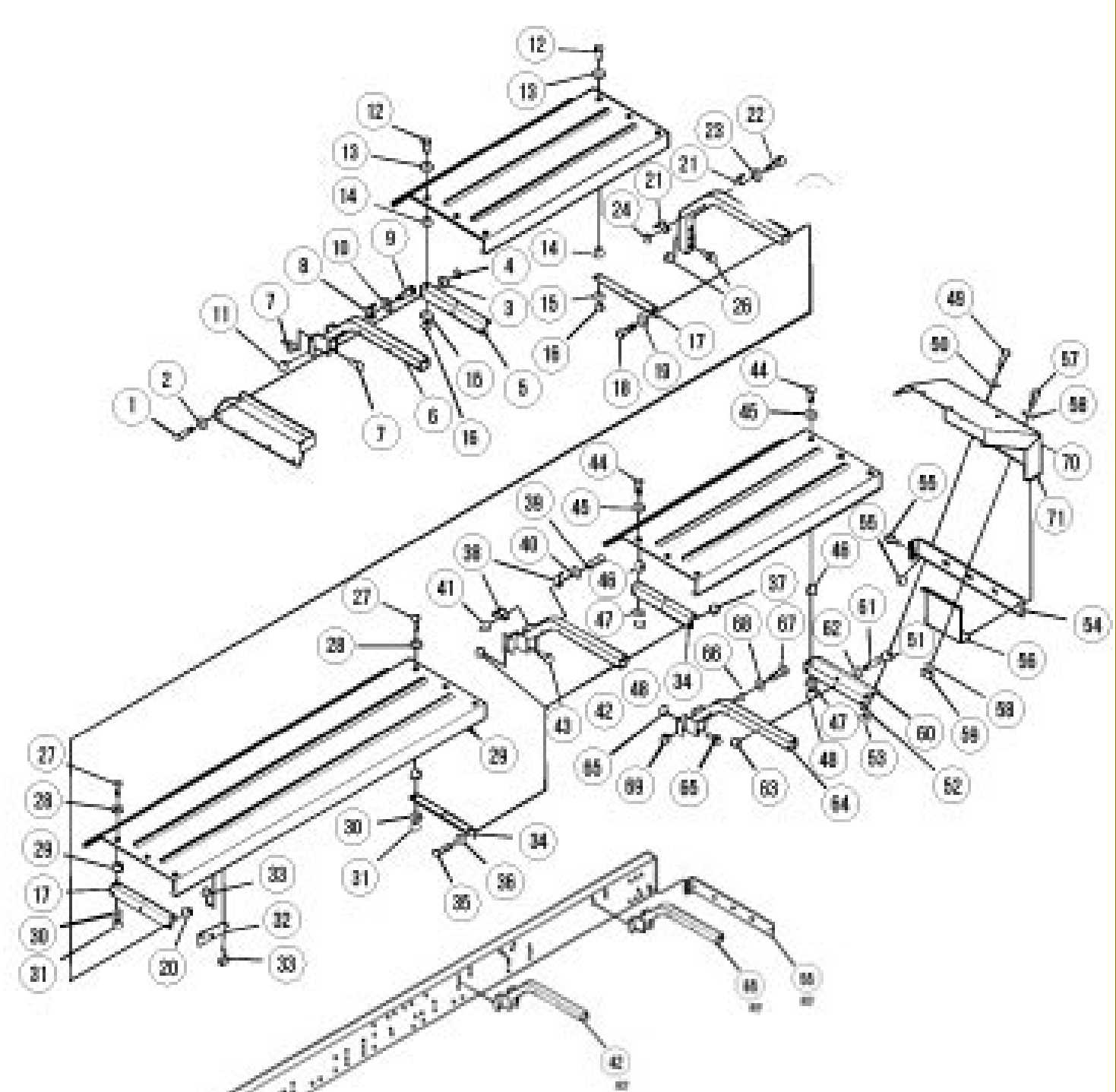
FENDERS



REF	PART #	BRAND	DESCRIPTION	LINK
1	3276285	Oshkosh	Right Hand 32 CA Aluminum Fender	link
	3276283	Oshkosh	Right Hand 32 CA Steel Fender	link
	3276281	Oshkosh	Right Hand 20 CA Aluminum Fender	link
	3276279	Oshkosh	Right Hand 20 CA Steel Fender	link
2	3276286	Oshkosh	Left Hand 32 CA Aluminum Fender	link
	3276284	Oshkosh	Left Hand 32 CA Steel Fender	link
	3276282	Oshkosh	Left Hand 20 CA Aluminum Fender	link
	3276280	Oshkosh	Left Hand 20 CA Steel Fender	link
3	2188670	Oshkosh	Front Fender Brace Tube	link



FENDERS



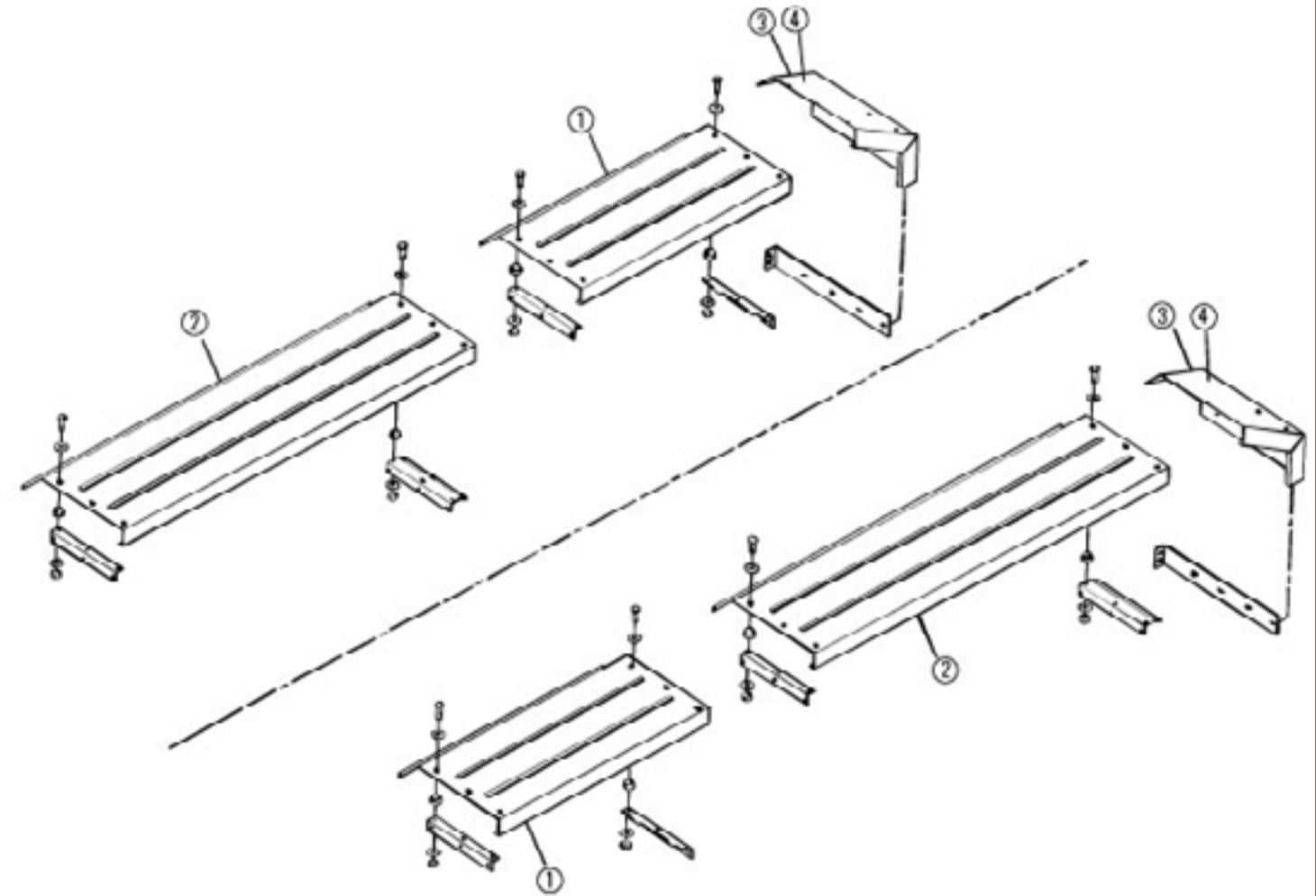
NOTES ON THIS ASSEMBLY			
N1	Fender Tube to Fender	N8	Fender Tube to Fender
N2	Forward Fender Tube	N9	Fender Tube to Fender
N3	Fender Tube to Fender	N10	Center Rearward Fender Tube
N4	Fender Tube to Fender	N11	Fender End to Frame
N5	Fender Tube to Fender	N12	Fender Tube to Fender / Fender End
N6	Center Forward Fender Tube	N13	Rearward Fender Tube
N7	Side Marker Bracket	N14	Fender Tube to Fender End

FENDERS

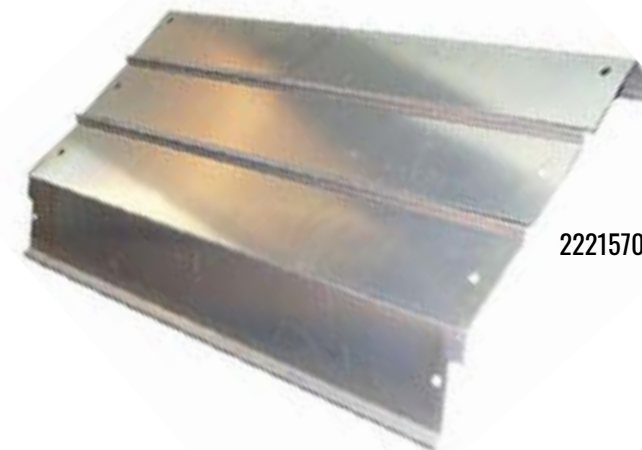
REF	NOTE	PART #	BRAND	DESCRIPTION	LINK
6	N2	2207860W	Oshkosh	Bracket Assembly Tube	link
14		2014020	Oshkosh	Rubber Isolator	link
17	N4	2050030	Oshkosh	Long Fender Support	link
25	N6	2088860	Oshkosh	Tube Bracket	link
29		2014020	Oshkosh	Rubber Isolator	link
32	N7	2024490	Oshkosh	Side Marker Light Bracket	link
34	N8	2050030	Oshkosh	Long Fender Support	link

REF	NOTE	PART #	BRAND	DESCRIPTION	LINK
42	N10	2207860W	Oshkosh	Bracket Assembly Tube	link
51		2014020	Oshkosh	Rubber Isolator	link
54	N11	2049840	Oshkosh	Fender End Bracket	link
56		2049850	Oshkosh	Tail Light Shield	link
60	N12	2066090	Oshkosh	Fender End Support	link
64	N13	2207860W	Oshkosh	Bracket Assembly Tube	link
70/71		3446174/3446175	Oshkosh	Right Hand/ Left Hand Steel Fender End Cap	link/ link

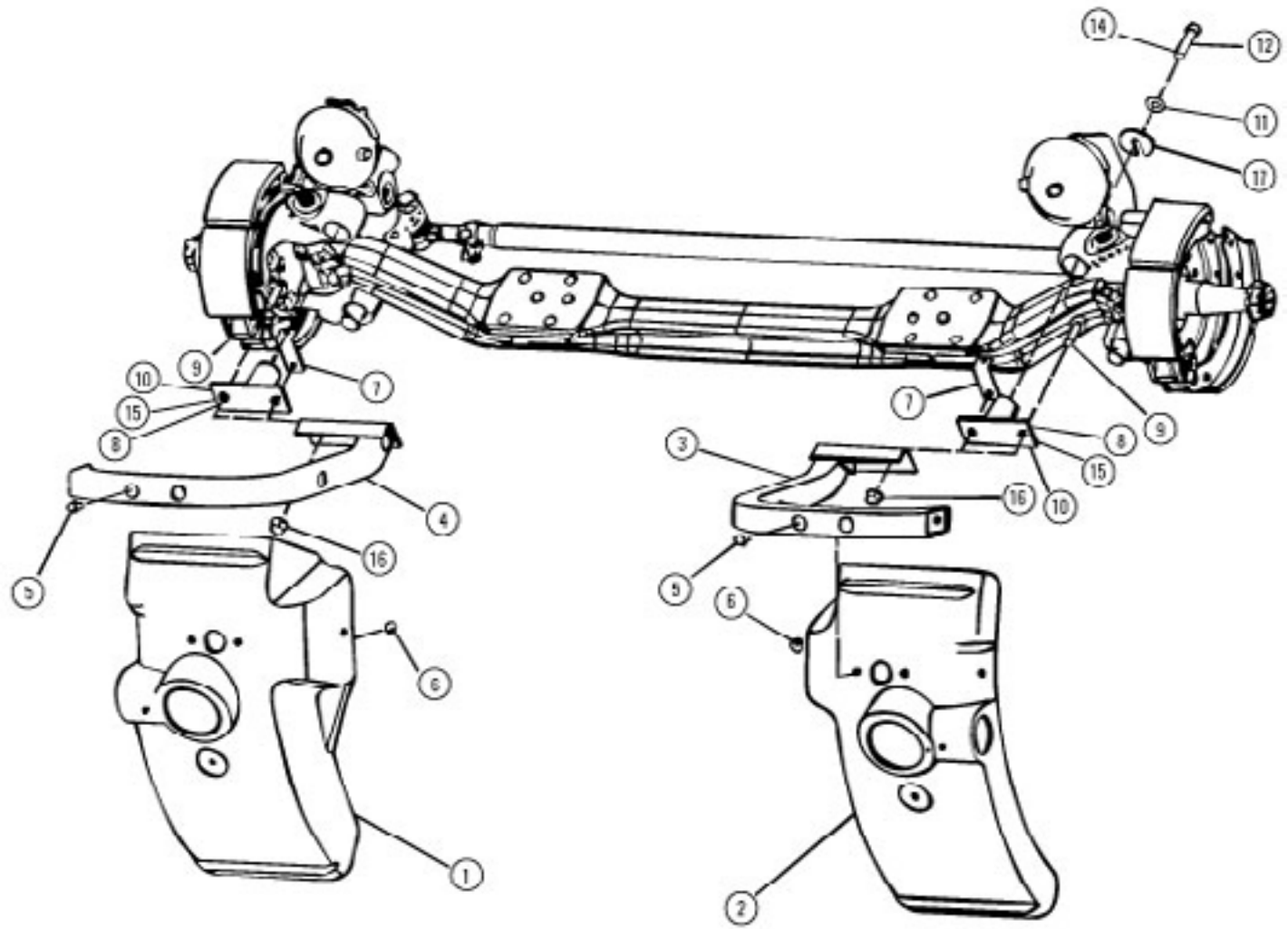
FENDERS



REF	PART #	BRAND	DESCRIPTION	QTY	LINK
1	2221570	Oshkosh	53in Aluminum Fender	2	link
	3126701	Oshkosh	55.63in Aluminum Fender	2	link
2	2221580	Oshkosh	89in Aluminum Fender	2	link
	2082740	Oshkosh	Right Hand Aluminum Fender End	1	link
3	3446174	Oshkosh	Right Hand Steel Fender End	1	link
	2082750	Oshkosh	Left Hand Aluminum Fender End	1	link
4	3446175	Oshkosh	Left Hand Steel Fender End	1	link



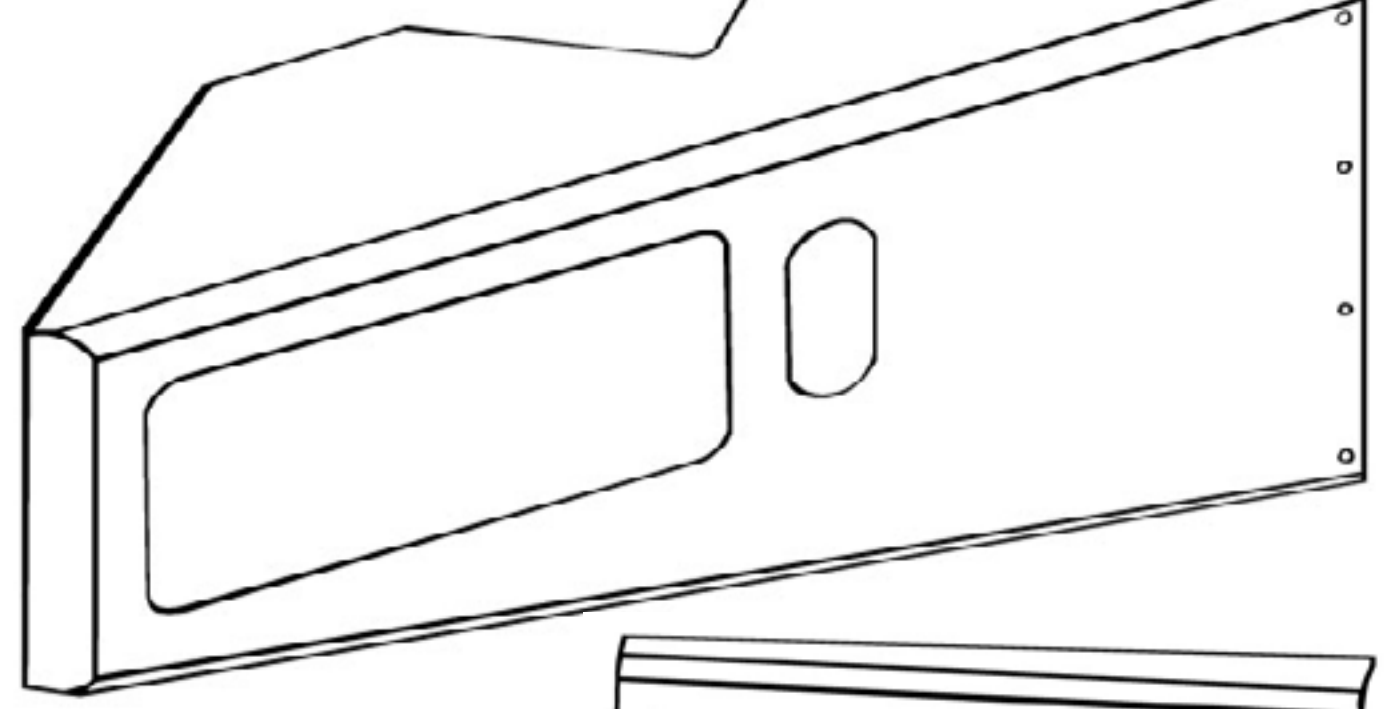
FENDERS



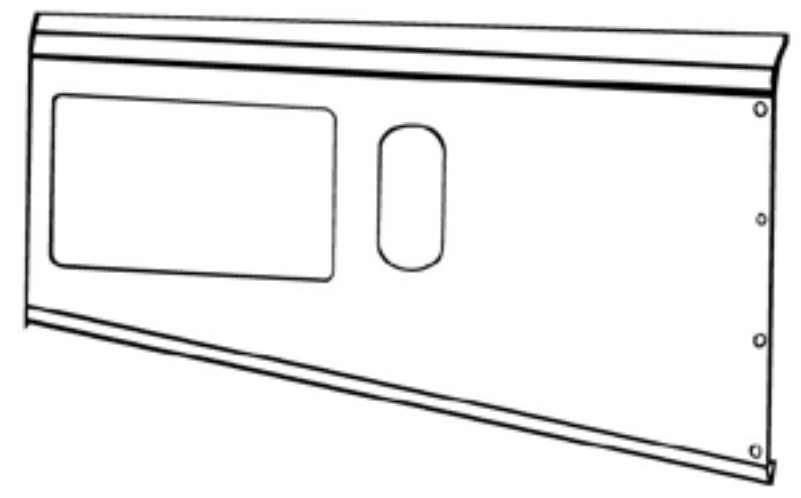
REF	PART #	BRAND	DESCRIPTION	QTY	LINK
1	3661021	Oshkosh	120 Degree Left Hand LSTA Fender	1	link
2	3661022	Oshkosh	120 Degree Right Hand LSTA Fender	1	link
3	3477209	Oshkosh	Right Hand Fender Mount Adapter	1	link
4	3477221	Oshkosh	Left Hand Fender Mount Adapter	1	link
6	1437220	Oshkosh	.28in-16 Grade 5 ZY LKDT Flange Nut	8	link
10	3402170	Oshkosh	Fender Mount Bracket	2	link
11	8865GX	Oshkosh	.62in x 1.31in x .09in PO HDN Flat Washer	2	link
12	49743AX	Oshkosh	.62in-11 x 2in Grade 8 PO Hex Cap Screw	2	link

FENDERS

SET BACK AXLE STYLE



SET FORWARD AXLE STYLE



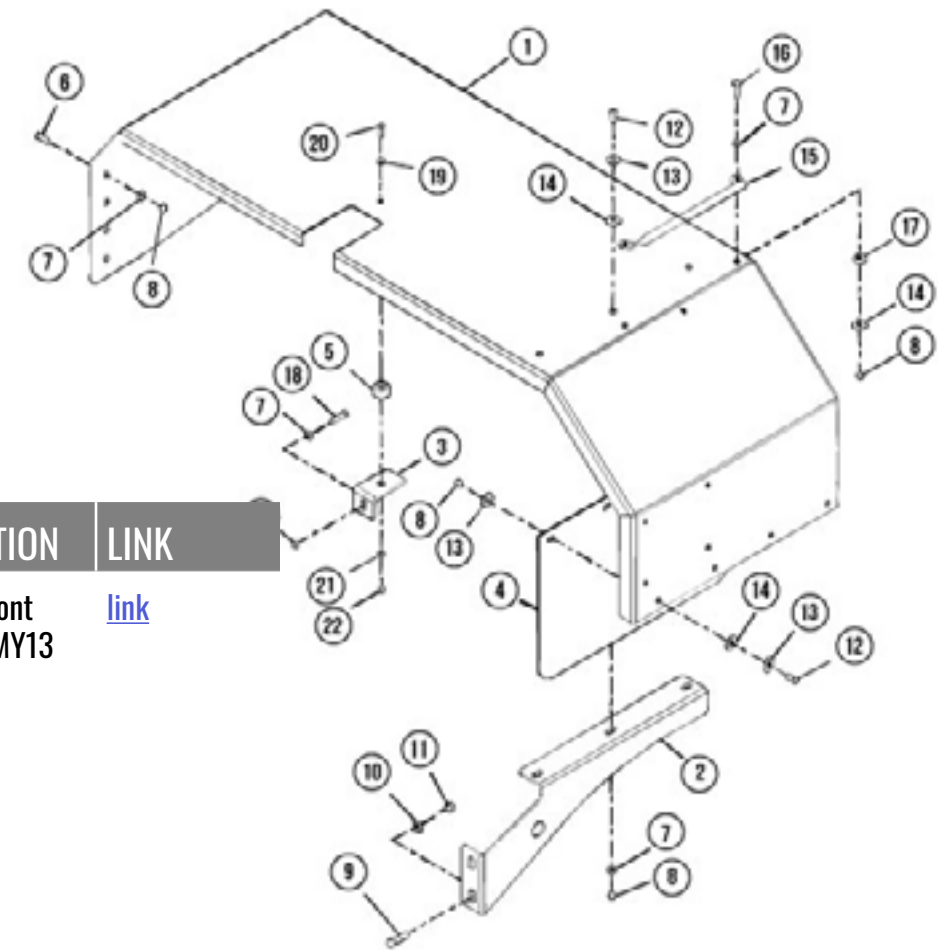
REF	PART #	BRAND	DESCRIPTION	LINK
1	123015	Indiana Phoenix	5 Axle Bumper Wing	link
2	123016	Indiana Phoenix	Right Hand Aluminum Set Forward Axle Bumper Wing with Logo	link
3	123024	Indiana Phoenix	Right Hand Aluminum Set Forward Axle Bumper Wing without Logo	link
4	124212	Indiana Phoenix	Right Hand Aluminum Rear Fender Cap	link
5	124213	Indiana Phoenix	Rear Fender Left Rear Bumper Cap	link
6	124214	Indiana Phoenix	Aluminum Left Front Rear Fender Cap	link
7	124215	Indiana Phoenix	Right Hand Aluminum Front Rear Fender Cap	link
8	124151	Indiana Phoenix	Right Hand Rear Fender Support Angle	link
9	124152	Indiana Phoenix	Left Hand Rear Fender Support Angle	link

FENDERS



PHOTO COMPLIMENTS OF [AMERICAN CONCRETE AND PRECAST](#)

FENDERS



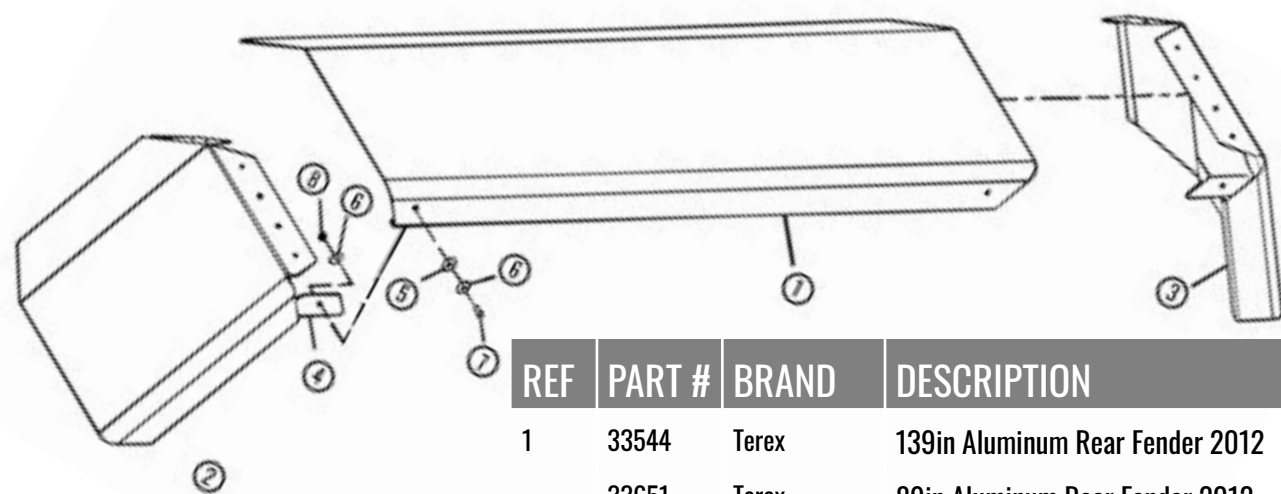
PART #	BRAND	DESCRIPTION	LINK
34375	Terex	Curbside Front Fender Kit MY13	link

REF	PART #	BRAND	DESCRIPTION	LINK
1	34262	Terex	Curbside Front Fender MY14	link
2	33435	Terex	Front Fender Support	link
3	33446	Terex	Front Fender Support MY13	link
4	18131	Terex	Mudflap with Terex Logo	link
5	33872	Terex	Rubber Bumper	link
6	19142	Terex	Button Socket Head Machine Screw	link
7	19272	Terex	3/8in SAE HHS PF Flat Washer	link
8	19353	Terex	3.8in-16 Zinc Plated Grade C Top Lock Nut	link

REF	PART #	BRAND	DESCRIPTION	LINK
1	124177	Indiana Phoenix	Rear Fender Brace	link
2	124176	Indiana Phoenix	Rear Fender Gusset Brace	link
3	11435	Indiana Phoenix	Rear Fender Tail Light Mount	link
4	124196	Indiana Phoenix	Rear Rubber Shim	link
5	20183	Indiana Phoenix	Aluminum Front Fender Extension Brace	link

FENDERS

REF	PART #		DESCRIPTION	LINK
10	19093	Terex	Structural Washer	link
11	19354	Terex	Autostyle Nut	link
12	19123	Terex	3.8in-16 x 1in PF BHSCS Bolt	link
13	22288	Terex	3.8in x 1-1/4in Zinc Plated Fender Washer	link
14	19308	Terex	3.8in Flat PVC Fender Washer	link
15	29371	Terex	Cab Access Handle	link
16	19107	Terex	3/8in x 1-1/4in PF HHCS Bolt	link
18	19109	Terex	3/8in-16 x 1-1/2in PF Grade 8 HHCS Bolt	link
19	19053	Terex	1/4in SAE Zinc Plated Flat Washer	link
20	19029	Terex	1/4in-20 x 1-1/4in Stainless Steel HHCS Bolt	link
22	19352	Terex	1/4in-20 Zinc Plated Grade C Top Lock Nut	link



REF	PART #	BRAND	DESCRIPTION	LINK
1	33544	Terex	139in Aluminum Rear Fender 2012	link
	33651	Terex	89in Aluminum Rear Fender 2012	link

REF	PART #	BRAND	DESCRIPTION	LINK
2	33546/ 33545	Terex	Roadside Front Fender Endcap/ Curbside front Fender Endcap - 2012	link / link
3	33549/ 33550	Terex	Roadside Rear Fender Endcap/ Curbside Rear Fender Endcap - 2012	link / link
4	23820	Terex	Rear Fender Endcap Gussett	link
5	19308	Terex	3/8in Flat PVC Fender Washer	link
6	22288	Terex	3/8in x 1-1/4in Zinc Plated Fender Washer	link
7	19105	Terex	3/8in x 1in Grade 8 HHCS Bolt	link
8	19353	Terex	3/8in-16 Zinc Plated Grade C Top Lock Nut	link

FENDERS

FRONT AND REAR FENDERS AND ACCESSORIES

PART #	BRAND	DESCRIPTION	LINK
124103	Indiana Phoenix	Bumperwing Mounting Plate (4 Bolt Mount)	link
10460	Indiana Phoenix	Steel Diamond Plate Right Front Fender	link
12650	Indiana Phoenix	Aluminum Diamond Plate Right Front Fender	link
12660	Indiana Phoenix	Aluminum Diamond Plate Left Front Fender	link
11270	Indiana Phoenix	Front Fender Front Brace	link
11442	Indiana Phoenix	Left Front Fender Rear Brace	link
30840	Indiana Phoenix	Chute Carrier Step	link

** These parts will require Part # 124-103 if current bumperwing is 5 bolt mount



FRONT AND REAR FENDERS AND ACCESSORIES CONTINUED

PART #	BRAND	DESCRIPTION	LINK
12670	Indiana Phoenix	137in Length 4 Axle Aluminum Rear Fender Body	link
12580	Indiana Phoenix	186in Length 5 Axle Aluminum Rear Fender Body	link
11430	Indiana Phoenix	Right Front Rear Fender Cap	link
11440I	Indiana Phoenix	Left Front Rear Fender Cap	link
10320	Indiana Phoenix	Rear Fender Brace	link
11435	Indiana Phoenix	Tail Light Mount	link
11480	Indiana Phoenix	Fender Mudflap	link

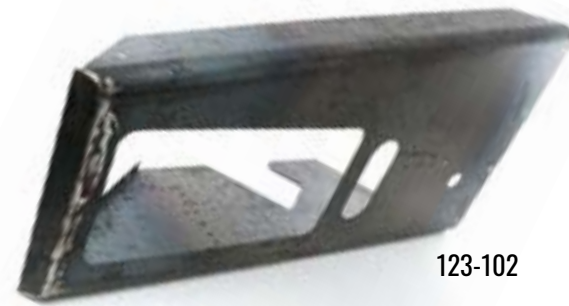
FENDERS

FRONT AND REAR FENDERS AND ACCESSORIES CONTINUED

PART #	BRAND	DESCRIPTION	LINK
41250	Indiana Phoenix	Hood Lift Shock	link
40510	Indiana Phoenix	Flex Draw Hood Latch	link
42000IP	Indiana Phoenix	Hood Safety Cable	link
40420	Indiana Phoenix	Battery/ Tool Box Latch	link

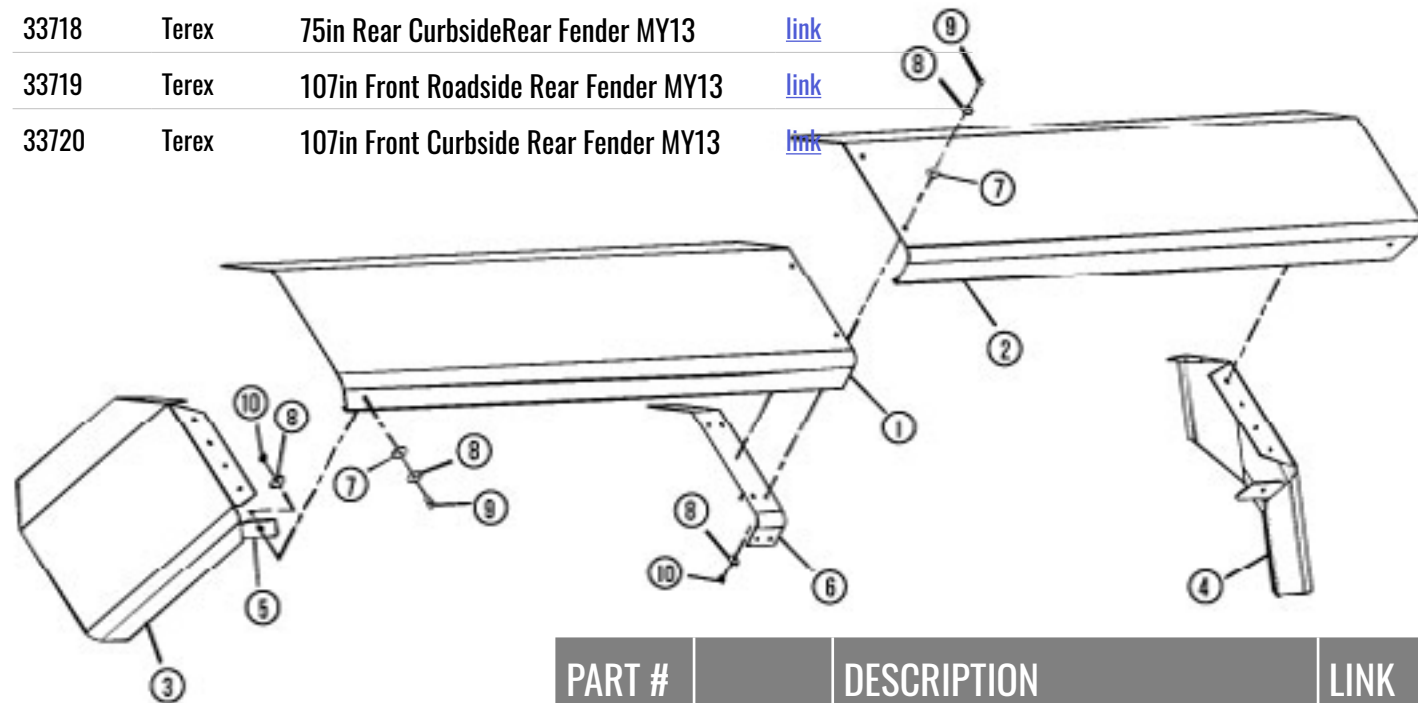


12300



123-102

PART #		DESCRIPTION	LINK
33718	Terex	75in Rear CurbsideRear Fender MY13	link
33719	Terex	107in Front Roadside Rear Fender MY13	link
33720	Terex	107in Front Curbside Rear Fender MY13	link



PART #		DESCRIPTION	LINK
33719	Terex	107in Front Roadside Rear Fender MY13	link
33720	Terex	107in Front Curbside Rear Fender MY13	link



33549



19353

FENDERS

REF	PART #		DESCRIPTION	LINK
3	33546	Terex	Front Roadside Fender End Cap 2012	link
	33545	Terex	Front Curbside Fender End Cap 2012	link
4	33549	Terex	Rear Roadside Fender End Cap 2012	link
	33550	Terex	Rear Curbside Fender End Cap 2012	link
5	23820	Terex	Fender End Cap Rear Gusset	link
6	34077	Terex	Rear Fender Splice Plate 2013	link
7	19308	Terex	3/8in PVC Flat Washer	link
8	22288	Terex	3/8in x 1-1/4in Fender Washer	link
9	19105	Terex	3/8in-16 x 1in PF Grade 8 HHCS Bolt	link
10	19353	Terex	3/8in-16 Zinc Plated Grade C Top Lock Nut	link

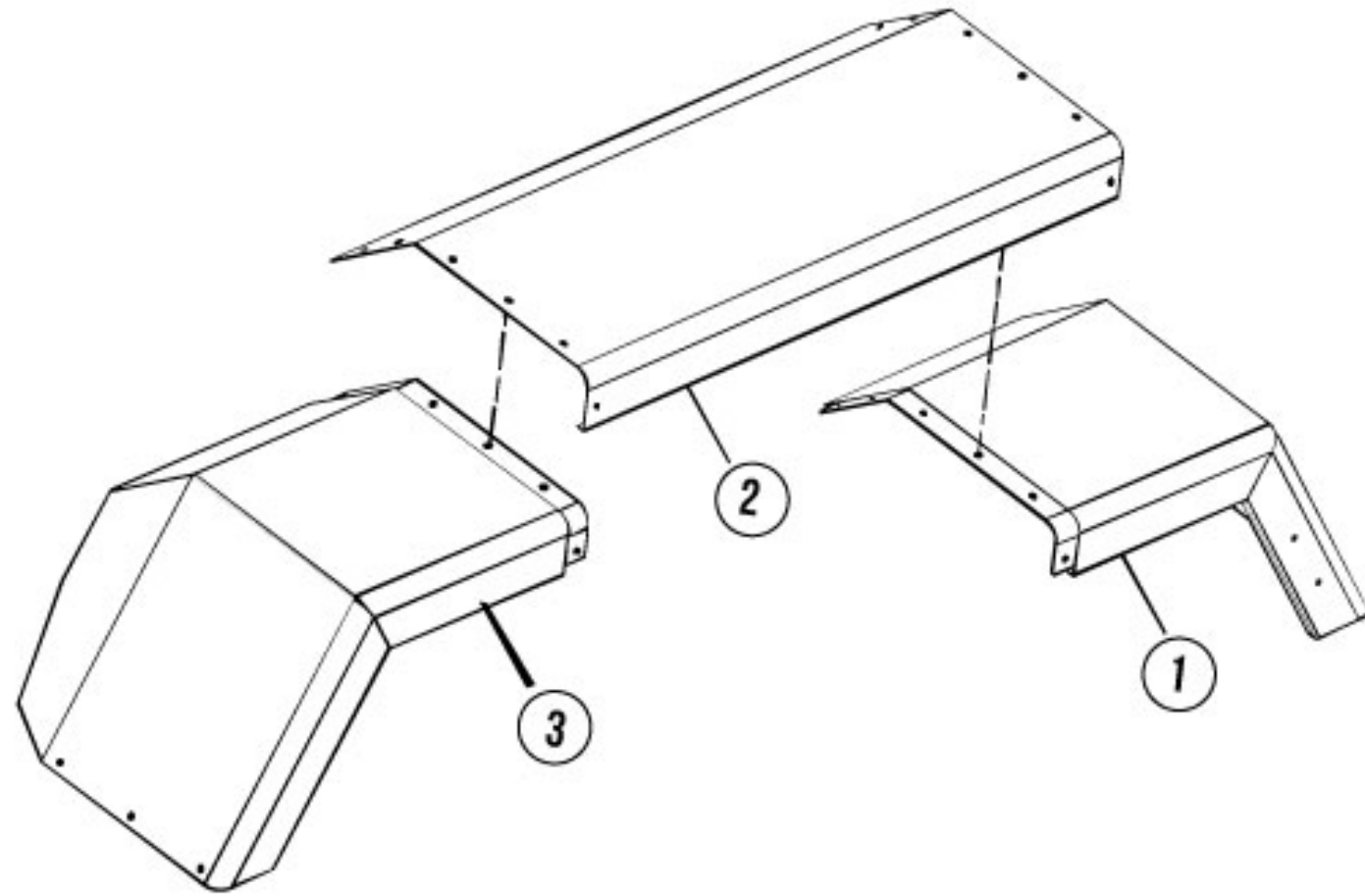


23820



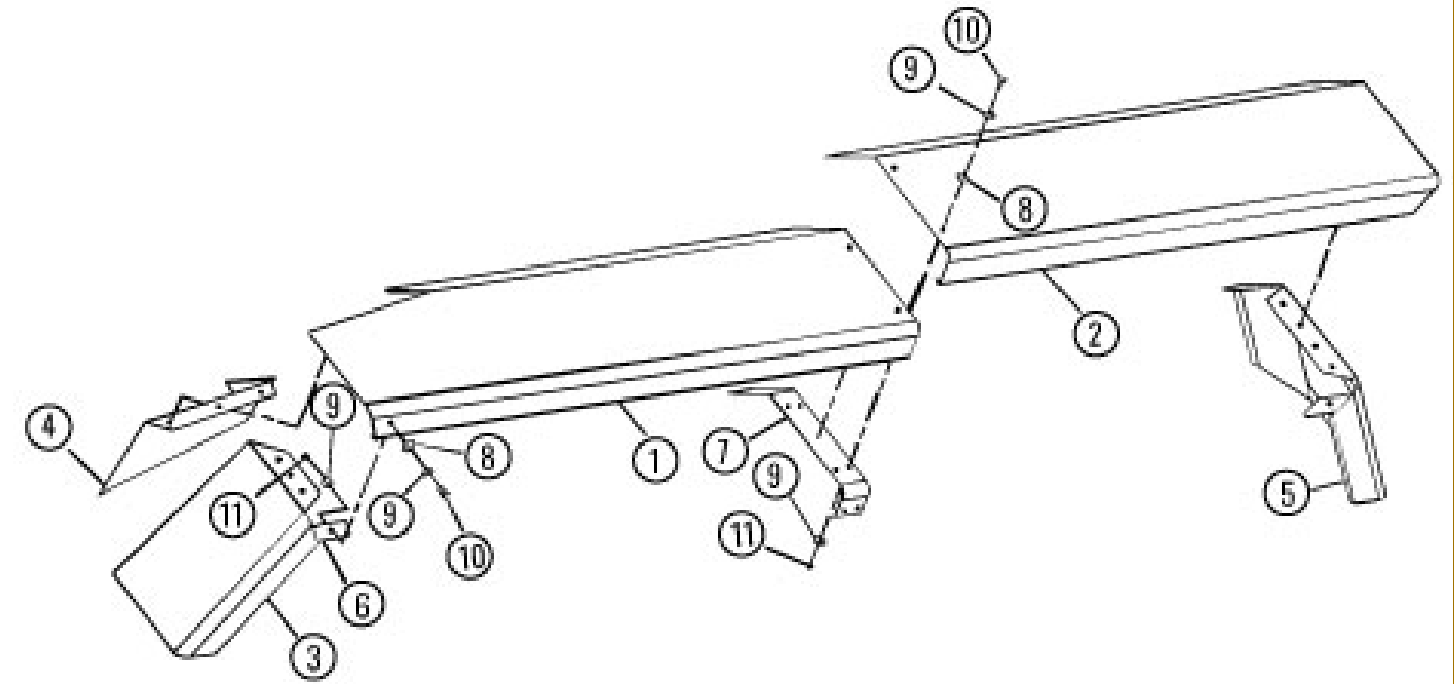
19308

FENDERS



REF	PART #		DESCRIPTION	LINK
1	34682	Terex	Rear Streetside Rear Fender End Cap MY14	link
	34683	Terex	Rear Curbside Rear Fender End Cap MY14	link
2	34661	Terex	51in Rear Fender FD3000/ FDB4000 MY14	link
	34667	Terex	144in Rear Fender FD5000GL MY14	link
	34666	Terex	137in Rear Fender FDB6000 MY14	link
3	34684	Terex	Front Streetside Rear Fender Endcap MY14	link
	34685	Terex	Front Curbside Rear Fender Endcap MY14	link
	34686	Terex	150GL Streetside Rear Fender Endcap FDB6000 MY14	link
	34687	Terex	150GL Curbside Rear Fender Endcap FDB6000 MY14	link

FENDERS



REF	PART #		DESCRIPTION	LINK
1	33747	Terex	85in Rear Roadside Fender with 150GL Cutout	link
	33748	Terex	85in Rear Curbside Fender with 150GL Cutout	link
2	33705	Terex	93in Rear Roadside Rear Fender	link
	33706	Terex	93in Rear Curbside Rear Fender	link
3	33755	Terex	Roadside End Fender with 150GL Cutout	link
	33754	Terex	Curbside End Fender with 150GL Cutout	link
4	33759	Terex	Roadside End Fender with 200GL Cutout	link
	33758	Terex	Curbside End Fender with 200GL Cutout	link
5	33550	Terex	Rear Curbside Fender End Cap 2012	link
	33549	Terex	Rear Roadside Fender End Cap 2012	link
6	23820	Terex	Fender End Cap Rear Gusset	link
7	34077	Terex	Rear Fender Splice Plate 2013	link
8	19308	Terex	3/8in PVC Flat Washer	link
9	22288	Terex	3/8in x 1-1/4in Fender Washer	link
10	19105	Terex	3/8in-16 x 1in PF Grade 8 HHCS Bolt	link
11	19353	Terex	3/8in-16 Zinc Plated Grade C Top Lock Nut	link

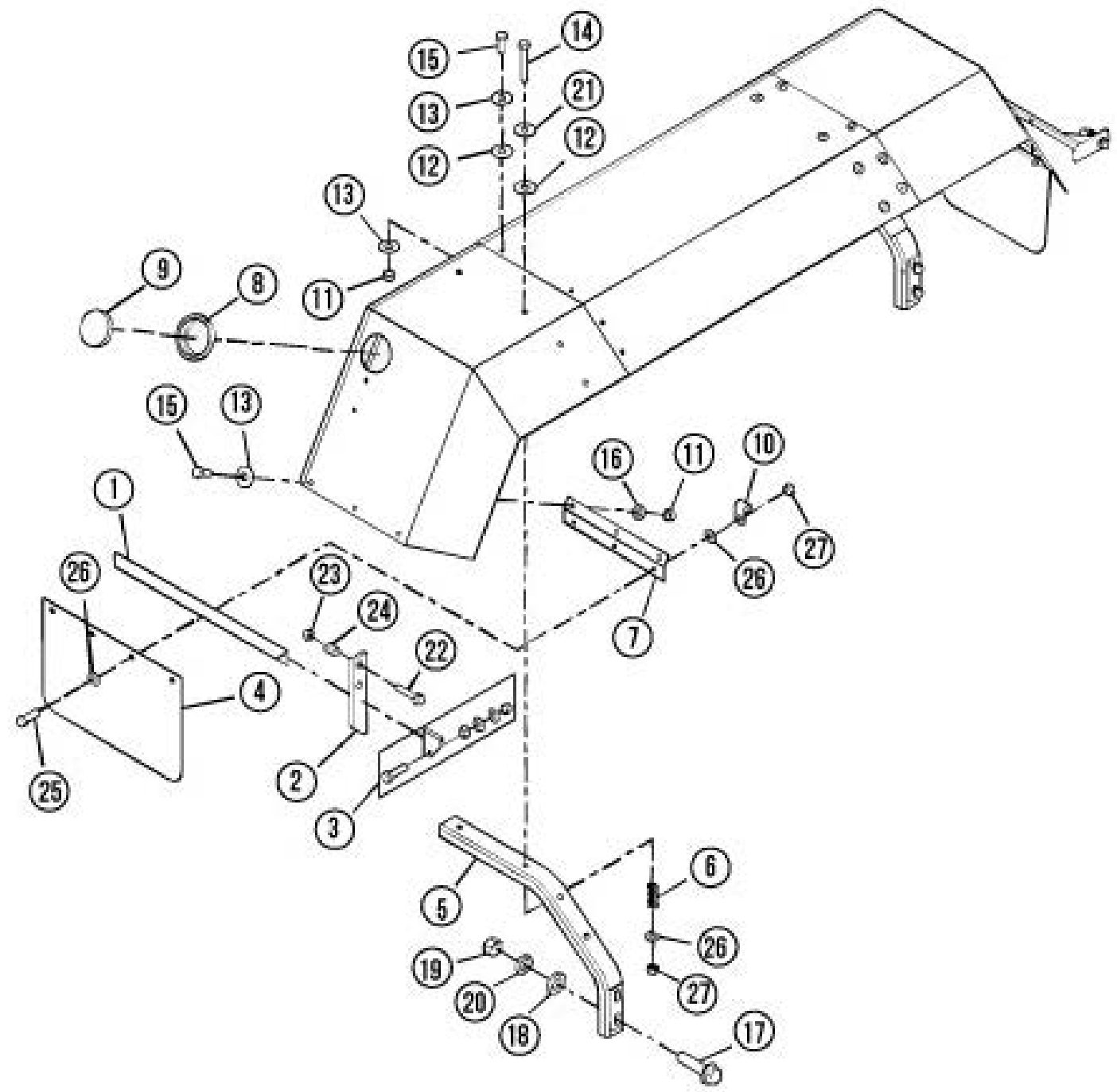


19105



22288

FENDERS



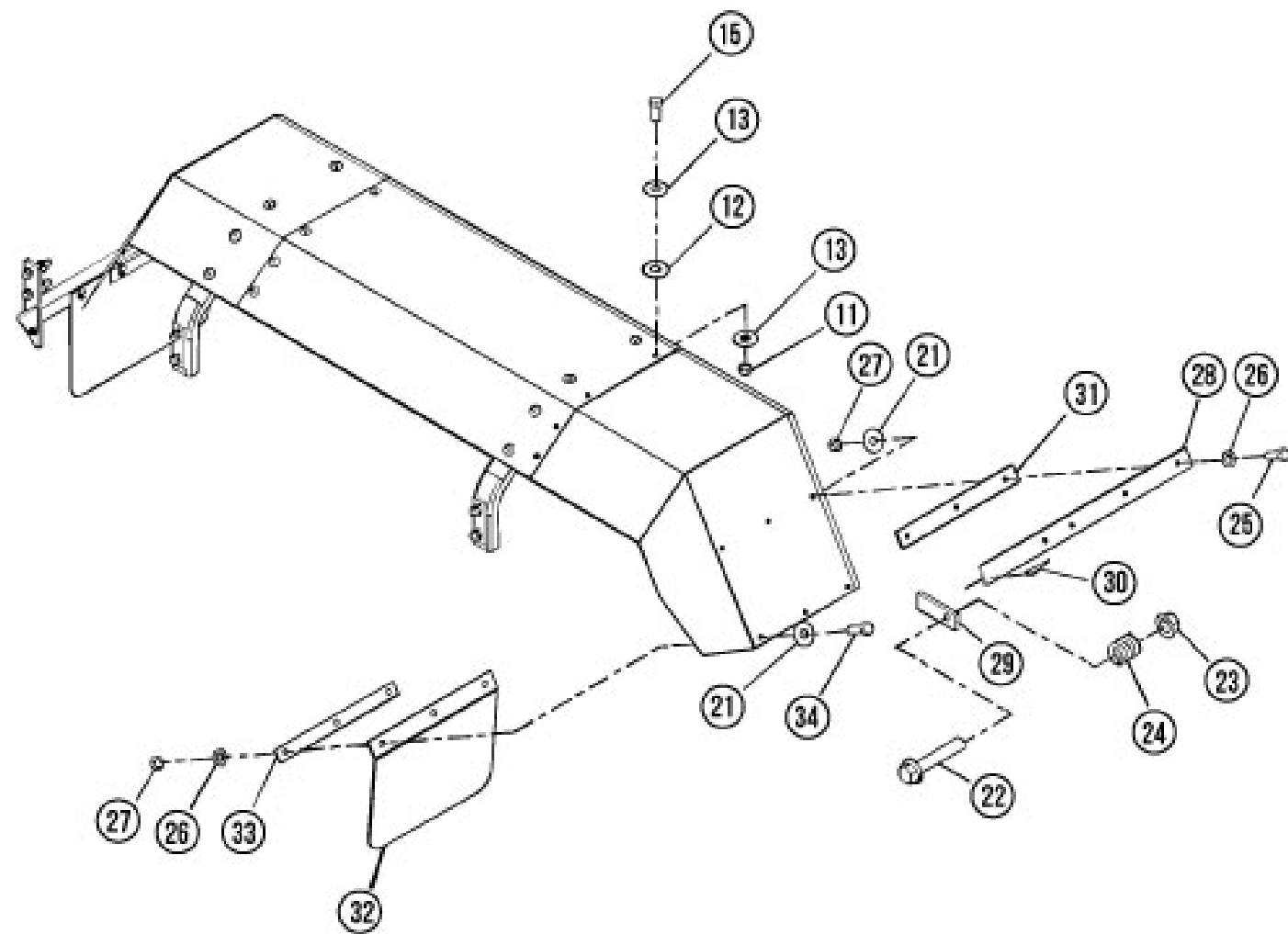
TAG FENDERS:

REF	PART #		DESCRIPTION	LINK
1	123001	Indiana Phoenix	Left Hand Aluminum OH Tag Fender	link
2	123002	Indiana Phoenix	Right Hand Aluminum OH Tag Fender	link

FENDERS

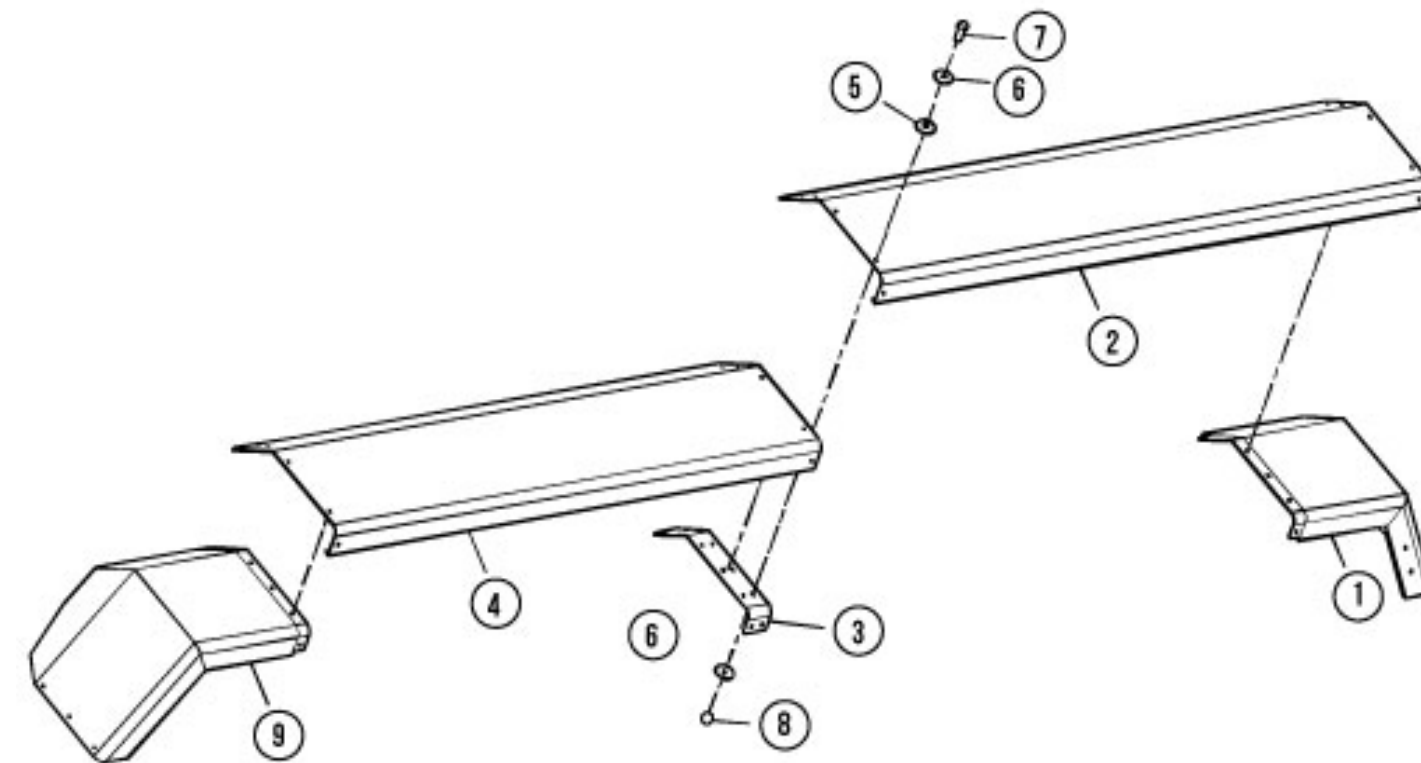
REF	PART #		DESCRIPTION	LINK	QTY
1	24311	Terex	Roadside Rear Fender Support Angle	link	1
	24312	Terex	Curbside Rear Fender Support Axle	link	1
2	11295	Terex	Rear Fender Support Plate	link	1
4	18131	Terex	Fender Mudflap with Terex Logo	link	1
5	33555	Terex	Rear Fender Mounting Bracket	link	AS REQUESTED
6	14437	Terex	Rear Fender Compression Spring	link	AS REQUESTED
7	24310	Terex	4-Axle Mudflap Angle with Holes	link	1
	24309	Terex	5-Axle Mudflap Angle with Holes	link	1
8	40663	Terex	4in Rubber Light Lamp Grommet	link	1
9	40661	Terex	Red Grommet Mount LED Light	link	1
10	18869	Terex	.5in Vinyl Coated Clamp	link	AS REQUESTED
11	19353	Terex	3/8in-16 Zinc Plated Grade C Top Lock Nut	link	AS REQUESTED
12	19308	Terex	3/8in Flat PVC Fender Washer	link	AS REQUESTED
13	22288	Terex	3/8in x 1-1/4in Zinc Plated Fender Washer	link	AS REQUESTED
14	35340	Terex	3/8in Hex Head Cap Screw Bolt	link	AS REQUESTED
15	19105	Terex	3/8in x 1in Grade 8 Hex Head Cap Screw Bolt	link	AS REQUESTED
16	19045	Terex	3/8in Grade 2 Flat Washer	link	AS REQUESTED
17	14462	Terex	5/8in-18 x 2-1/2in PO Grade 8 Flange Bolt	link	AS REQUESTED
18	19086	Terex	5/8in ASTM Structural Washer	link	AS REQUESTED
19	19032	Terex	5/8in-18 Grade 2 Hex Nut	link	AS REQUESTED
20	19034	Terex	5/8in Split Lock Washer	link	AS REQUESTED
21	35354	Terex	3/8in Fender Washer	link	AS REQUESTED
22	14466	Terex	5/8in-18 x 3-1/2in PO Grade 8 Flange Bolt	link	AS REQUESTED
23	14401	Terex	5/8in-18 Grade 8 Flange Lock Nut	link	AS REQUESTED
24	11709	Terex	Chute Swing Chain Spring	link	AS REQUESTED
25	35359	Terex	3/8in Hex Head Cap Screw Bolt	link	AS REQUESTED
26	35358	Terex	3.8in ID x 7/8in OD Stainless Steel Fender Washer	link	AS REQUESTED
27	35341	Terex	3/8in-16 Stainless Steel Hex Nut with Nylon Insert	link	AS REQUESTED

FENDERS



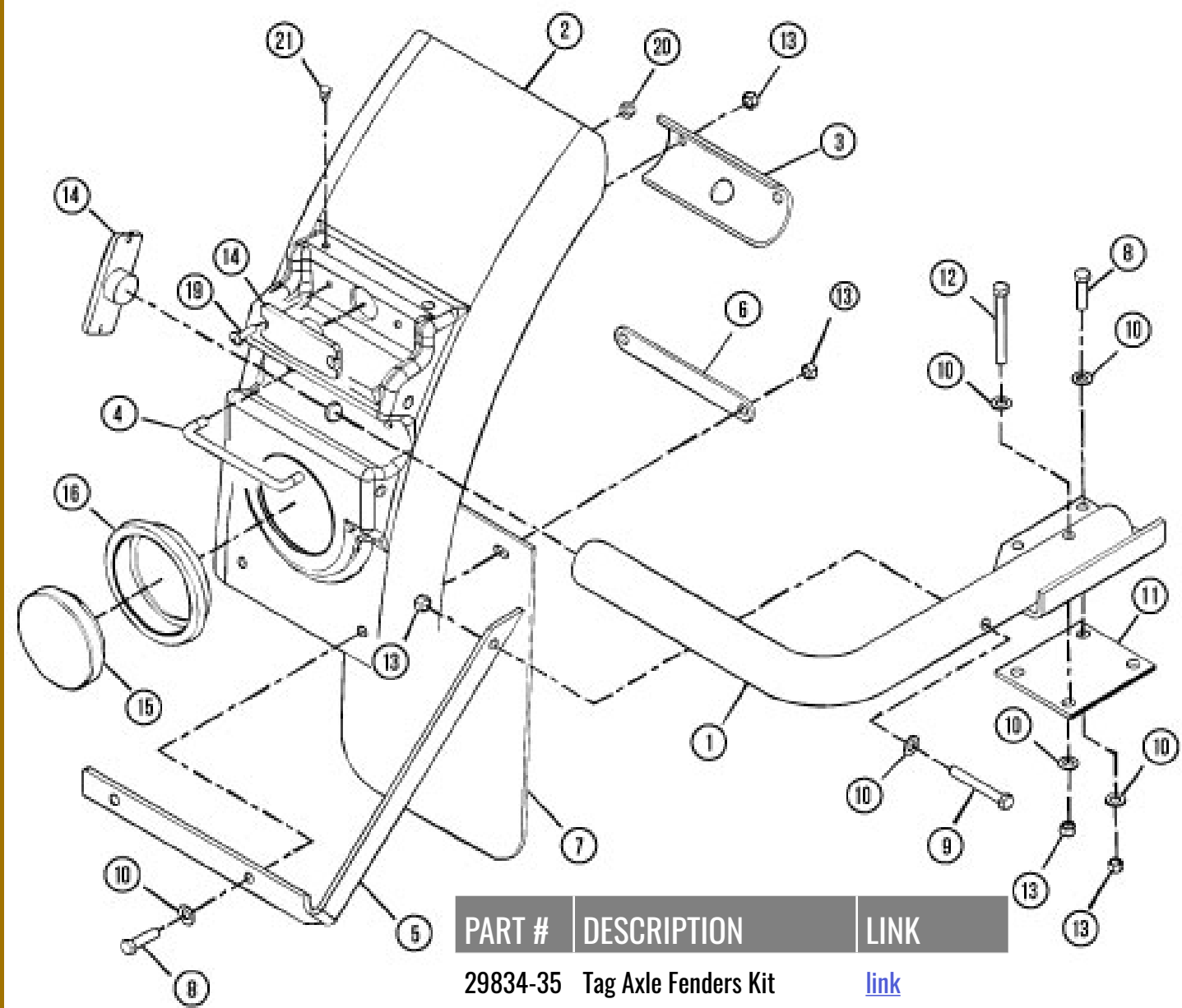
REF	PART #	BRAND	DESCRIPTION	LINK	QTY
28	34441	Terex	Rear Fender Front Mounting Plate	link	1
	20844	Terex	150GL Rear Fender Front Mounting Plate	link	1
29	34442	Terex	Horizontal Rear Fender Mount Attachment Plate	link	1
	20848	Terex	Vertical Rear Fender Mounting Support Plate	link	1
	20849	Terex	Fender Mounting Bracket Support Plate	link	1
30	16317	Terex	Main Chute Cylinder Mount Front Gusset	link	1
31	20300	Terex	1/4 x 2in Rubber Pad	link	1
32	23816	Terex	18-1/8in Mudflap with Bend	link	1
33	34865	Terex	Mud Flap Backing Plate Front RR MY14	link	1

FENDERS



REF	PART #	BRAND	DESCRIPTION	LINK
1	34659	Terex	Rear Streetside Rear Fender End Cap MY14	link
	34683	Terex	Rear Curbside Rear Fender End Cap MY14	link
5	19308	Terex	3/8in PVC Flat Washer	link
6	22288	Terex	3/8in x 1-1/4in Fender Washer	link
7	19105	Terex	3/8in-16 x 1in PF Grade 8 HHCS Bolt	link
8	19353	Terex	3/8in-16 Zinc Plated Grade C Top Lock Nut	link
9	34684	Terex	Front Streetside Rear Fender Endcap MY14	link
	34685	Terex	Front Curbside Rear Fender Endcap MY14	link
	34691	Terex	150GL Curbside Rear Fender End Cap FDB7000 MY14	link

FENDERS



PART #	DESCRIPTION	LINK
29834-35	Tag Axle Fenders Kit	link

* ITEMS 17 AND 18 ARE NOT SHOWN IN THE ILLUSTRATION



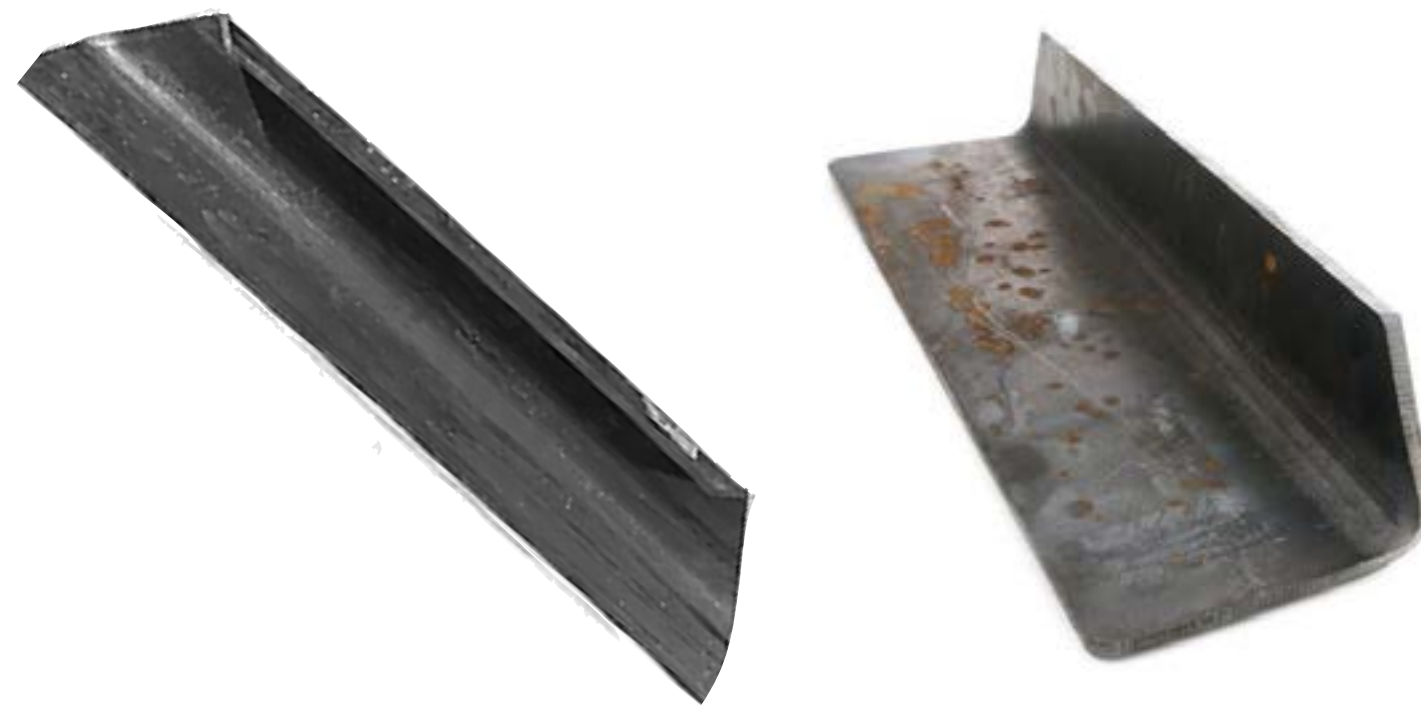
FENDERS

REF	PART #	BRAND	DESCRIPTION	LINK	QTY
1	29832	Terex	Curbside Tag Fender Tube	link	1
	29833	Terex	Roadside Tag Fender Tube	link	1
2	30024	Terex	Short Tag Axle Fender	link	1
3	29850	Terex	Tag Fender Cover Plate	link	1
4	30034	Terex	3/8-16 x 5-5/8in Wide x 1.35in Long U-Bolt	link	1
5	31126	Terex	Roadside Tag Fender Support Bracket	link	1
	31127	Terex	Curbside Tag Fender Support Bracket	link	1
6	29851	Terex	Tag Axle Mud Flap Plate	link	1
7	11304	Terex	Tag Fender Mud Flap	link	1
8	19109	Terex	Grade 8 PF 3.8in-16 x 1.5in Hex Head Cap Screw Bolt	link	5
10	19045	Terex	Grade 2 YZ 3/8in Flat Washer	link	11
11	24733	Terex	Bridge Tag Spacer	link	1
12	19195	Terex	Grade 8 3/8in-16 x 3.5in Hex Head Cap Screw Bolt	link	1
13	19353	Terex	Grade C Zinc Plated 3/8in-16 Top Lock Nut	link	9
14	30129	Terex	1in x 4in Red LED Clearance/ Marker Light	link	2
15	40661	Terex	4in Round LED Stop/ Tail/ Turn Light	link	1
16	40663	Terex	4in Rubber Grommet	link	1
17*	23601	Terex	Fit 'N' Forget Plug	link	1
18*	30186	Terex	Roadside Tag Fender Marker/ Stop/ Turn Harness	link	1
	30187	Terex	Curbside Tag Fender Marker/ Stop/ Turn Harness	link	1
20	19298	Terex	10-24 Zinc Plated Nylon Insert Nut	link	4
21	30181	Terex	1/4in Diameter x 3/16in Push-In Nylon Rivet	link	6





PART #	BRAND	DESCRIPTION	LINK
22846	Terex	Standard Front Pedestal	link
23191	Terex	1in Short Front Pedestal	link
23192	Terex	3in Short Front Pedestal	link
22847	Terex	Standard Rear Pedestal	link
17065	Terex	Maxi Drive SKK Rear Pedestal	link



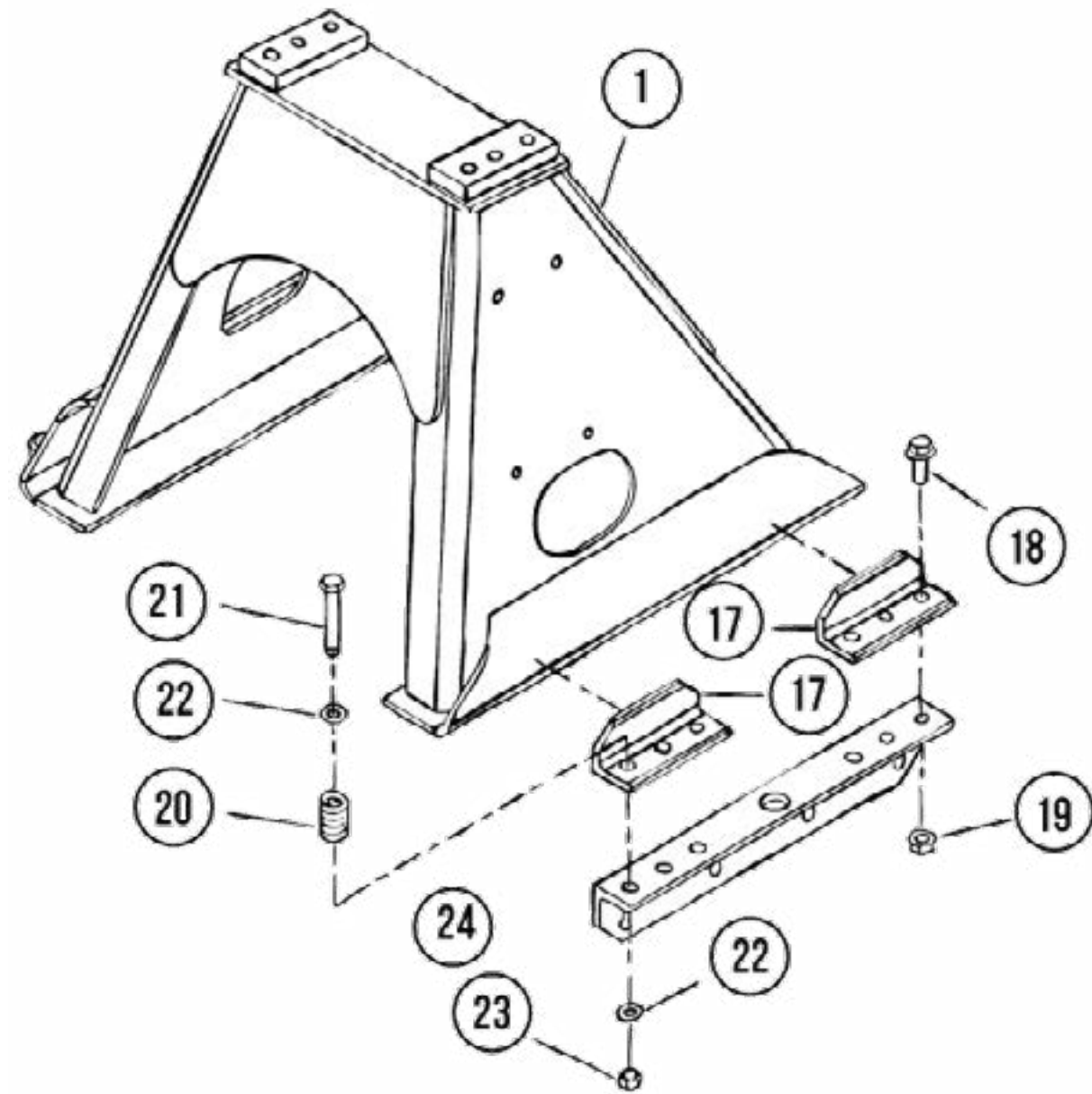
PART #	BRAND	DESCRIPTION	LINK	PART #	BRAND	DESCRIPTION	LINK
12776	Terex	Pedestal Hold-Down Rear Channel	link	18290	Terex	Front Pedestal Mounting Plate	link



PART #	BRAND	DESCRIPTION	LINK
12626	Terex	Upright Support Brace Bracket	link



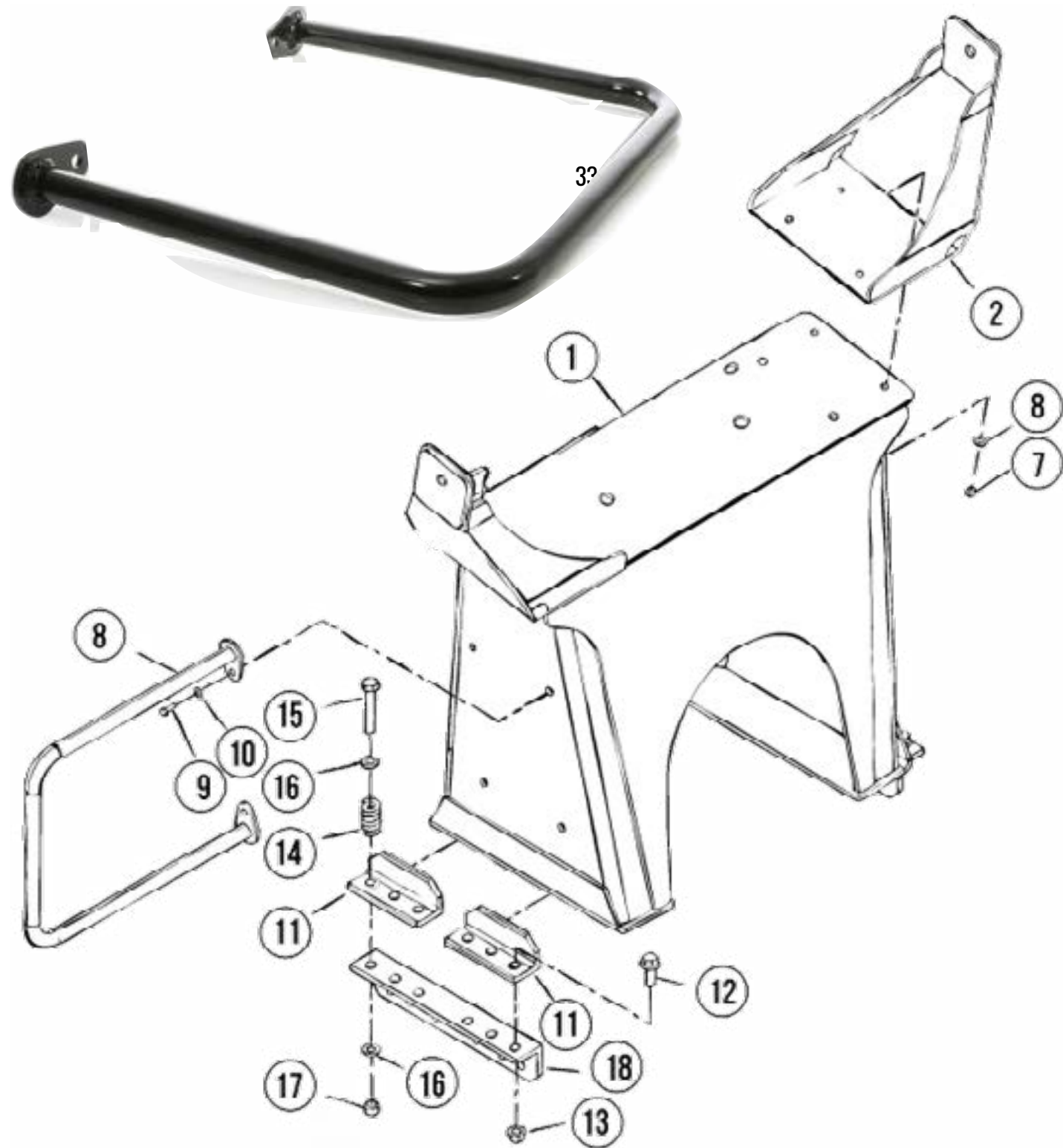
PART #	BRAND	DESCRIPTION	LINK
12588	Terex	Urethane Spring	link



REF	PART #	BRAND	DESCRIPTION	LINK
1	33454	Terex	28.75in Drive Pedestal - Used on FD4000, FD5000GL, FDB4000, FD6000MS	link
1	33455	Terex	30.75in Drive Pedestal - Used on FDB5000, FDB6000, FDB7000	link
17	12777	Terex	Upper Angle for Pedestal Hold Down	link
18	14469	Terex	.75in-16 x 2in PO Grade 8 Flange Nut	link
19	14460	Terex	.75in-16 Frame Flange Lock Nut	link
20	14595	Terex	Pedestal Hold Down Spring	link
21	19211	Terex	.75in-10 x 4.5in Hex Head Cap Screw Bolt	link
22	19039	Terex	.75in ASTM Structural Washer	link
23	19343	Terex	.75in-10 Grade C Top Lock Nut	link
24	12778	Terex	Lower Pedestal Hold Down	link



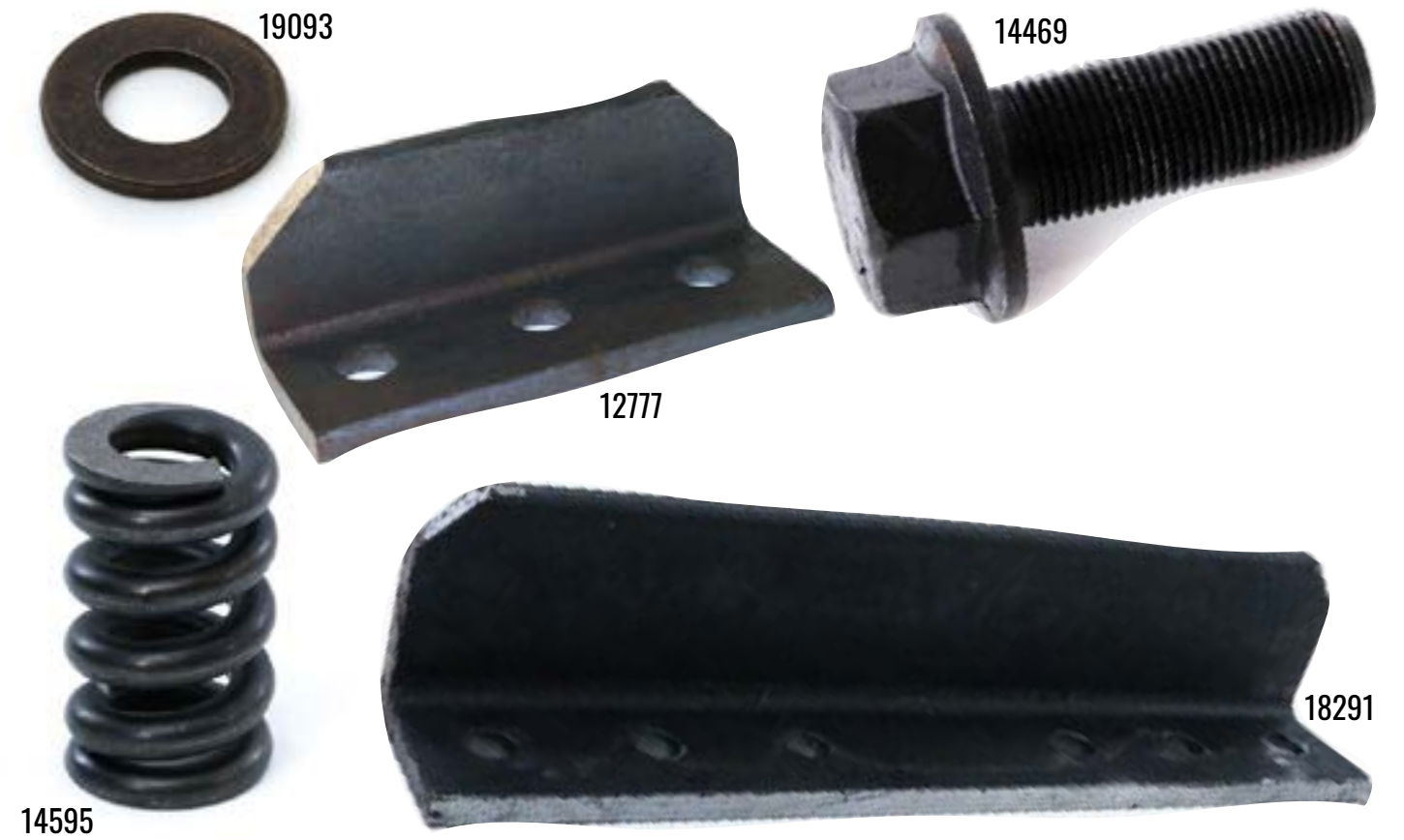
PART #	BRAND	DESCRIPTION	LINK
33452	Terex	2013 9in Curbside Upright Support Channel for FDB5000, FDB6000, FDB7000, FDB4000, FD6000MS	link
33481	Terex	2013 9in Streetside Upright Support Channel for FDB4000, FD6000MS, FDB5000, FDB6000, FDB7000	link
35282	Terex	7/8in-9 x 2in Grade 8 Hex Head Cap Screw Bolt	link
23277	Terex	7/8in 2.5 Zinc Plated Fender Mounting Washer	link
34030	Terex	7/8in-9 Grade G PHOS/ Oil Flanged Locknut	link



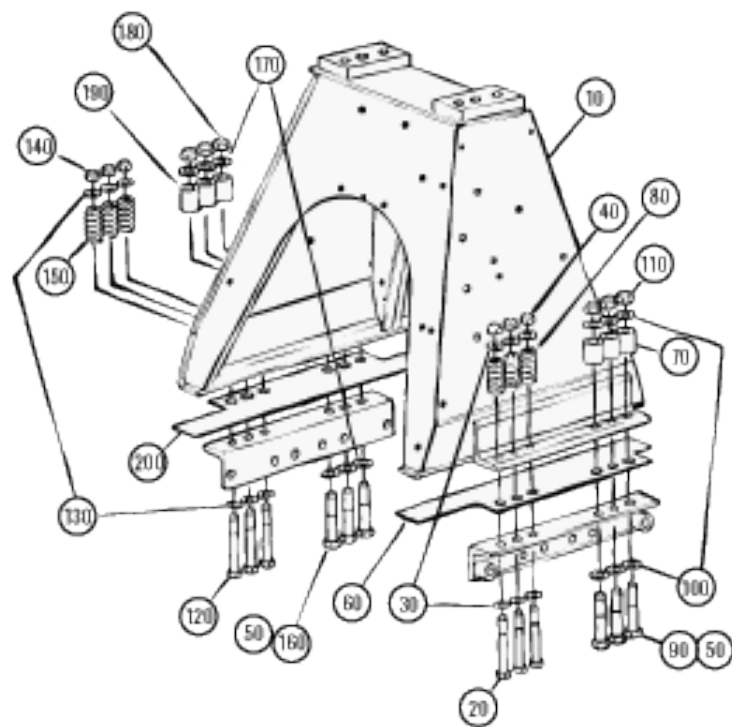
32600



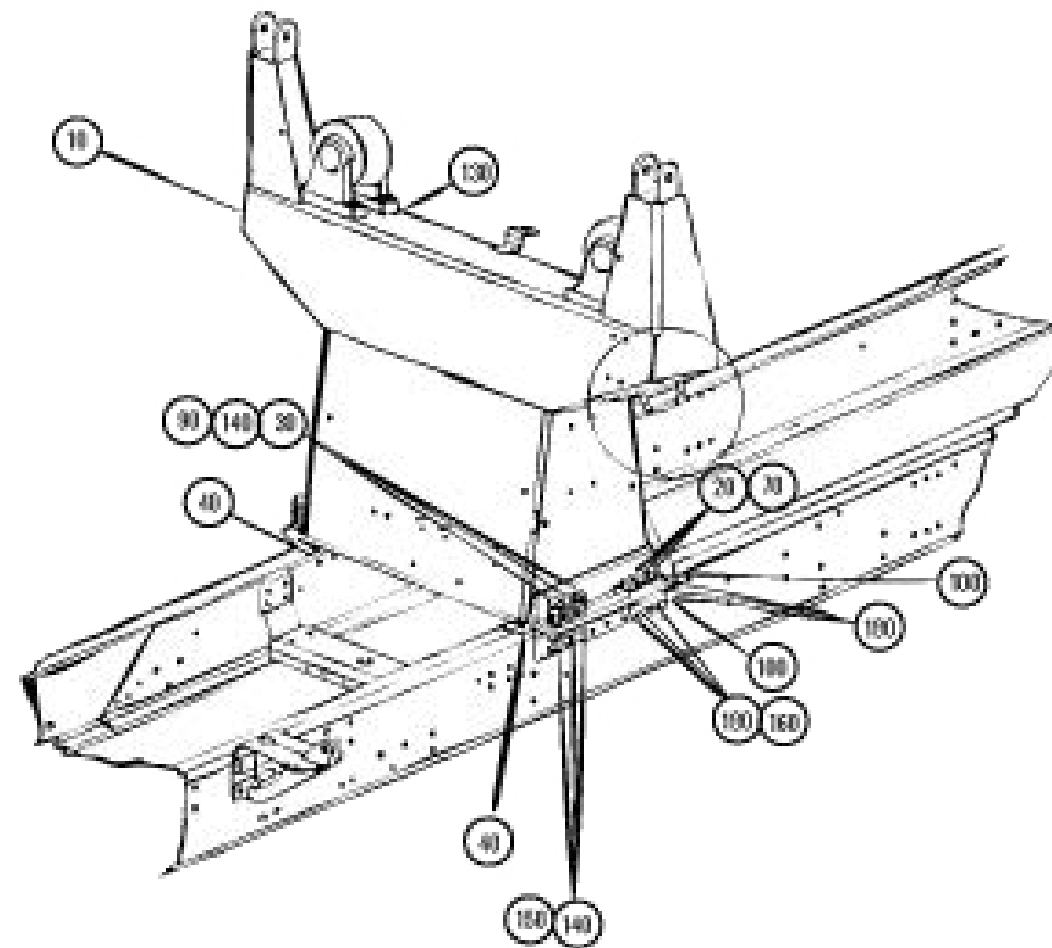
PART #	BRAND	DESCRIPTION	LINK
553024	Indiana Phoenix	Rear Pedestal	link
553025	Indiana Phoenix	Front Pedestal	link
19010	Indiana Phoenix	Rear Pedestal Mount	link
32600	Indiana Phoenix	Pedestal Hold-Down Spring	link



REF	PART #	BRAND	DESCRIPTION	LINK
1	33416	Terex	FD 2013 Roller Pedestal	link
1	35298	Terex	FD 2015 Roller Pedestal	link
2	33425	Terex	2013 Upright Brace Mount	link
2	35300	Terex	2015 Upright Brace Mount	link
7	19354	Terex	.5in-13 Grade C Locking Auto Style Nut	link
8	33445	Terex	2013 Powdercoated Pedestal Handrail	link
9	19114	Terex	.5in-13 x 1.75in Grade 8 Hex Head Cap Screw Bolt	link
10	19093	Terex	A325 .5in Flat Structural Washer	link
11	12777	Terex	Upper Angle for Pedestal Hold Down	link
12	14469	Terex	.75in-16 x 2in PO Grade 8 Flange Bolt	link
13	14460	Terex	.75in-16 Frame Flange Lock Nut	link
14	14595	Terex	Pedestal Hold Down Spring	link
15	19211	Terex	.75in-10 x 4.5in Hex Head Cap Screw Bolt	link
16	19039	Terex	.75in USS Zinc Plated Flat Structural Washer	link
17	19343	Terex	.75in-10 Grade C Top Lock Nut	link
18	18291	Terex	Lower Hold Down Front Pedestal Angle	link

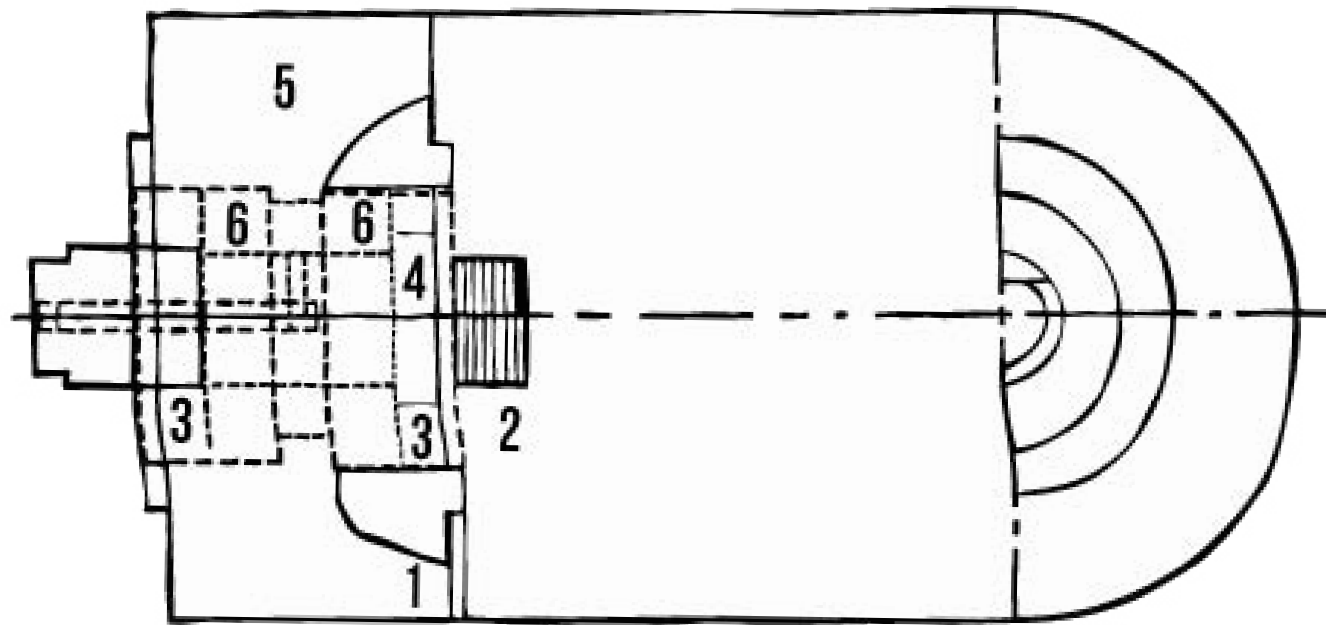


REF	PART #	BRAND	DESCRIPTION	LINK
10	4371709	Oshkosh	Drive Pedestal	link
20	1325670	Oshkosh	3/4in-10 x 5.5in Grade 8 Hex Head Cap Screw Bolt	link
30	2083HX	Oshkosh	.75 x 1.5 x .13 ZY HDN Flat Washer	link
40	60862AX	Oshkosh	.75-10 Grade 8 Hex Nut	link
60	3471189	Oshkosh	Pedestal Mounting Liner	link
70	3471190	Oshkosh	Drive Pedestal Mounting Spacer	link
80	3158276	Oshkosh	Pedestal Mounting Spring	link
90	5202HX	Oshkosh	7/8-14 x 4.5in Grade 8 Hex Head Cap Screw	link
100	48708AX	Oshkosh	SAE Flat Washer	link
110	54316AX	Oshkosh	7/8in-14 Self Locking Nut	link
120	1325670	Oshkosh	3/4-10 x 5.5in Grade 8 Hex Head Cap Screw Bolt	link
130	2083HX	Oshkosh	Flat Washer	link
140	60862AX	Oshkosh	.75-10 Grade 8 Hex Nut	link
150	3158276	Oshkosh	Pedestal Mounting Spring	link
160	5202HX	Oshkosh	7/8-14 x 4.5in Grade 8 Hex Head Cap Screw	link
170	48708AX	Oshkosh	SAE Flat Washer	link
180	54316AX	Oshkosh	7/8in-14 Self Locking Nut	link
190	3471190	Oshkosh	Drive Pedestal Mounting Spacer	link
200	3471189	Oshkosh	Pedestal Mounting Spacer	link



REF	PART #	BRAND	DESCRIPTION	LINK
10	4285558	Oshkosh	FD 2013 Roller Pedestal	link
20	5202HX	Oshkosh	FD 2015 Roller Pedestal	link
30	1325670	Oshkosh	2013 Upright Brace Mount	link
40	2171300	Oshkosh	2015 Upright Brace Mount	link
50	3602394	Oshkosh	.5in-13 Grade C Locking Auto Style Nut	link
60	3970537031	Oshkosh	2013 Powdercoated Pedestal Handrail	link
80	2175350	Oshkosh	.5in-13 x 1.75in Grade 8 Hex Head Cap Screw Bolt	link
90	3158276	Oshkosh	A325 .5in Flat Structural Washer	link
100	4291980	Oshkosh	Upper Angle for Pedestal Hold Down	link
120	110311A	Oshkosh	.75in-16 x 2in PO Grade 8 Flange Bolt	link
130	2026390	Oshkosh	.75in-16 Frame Flange Lock Nut	link
140	2083HX	Oshkosh	Pedestal Hold Down Spring	link
150	60862AX	Oshkosh	.75in-10 x 4.5in Hex Head Cap Screw Bolt	link
160	54316AX	Oshkosh	.75in USS Zinc Plated Flat Structural Washer	link
180	48708AX	Oshkosh	.75in-10 Grade C Top Lock Nut	link

FORWARD DRUM ROLLERS



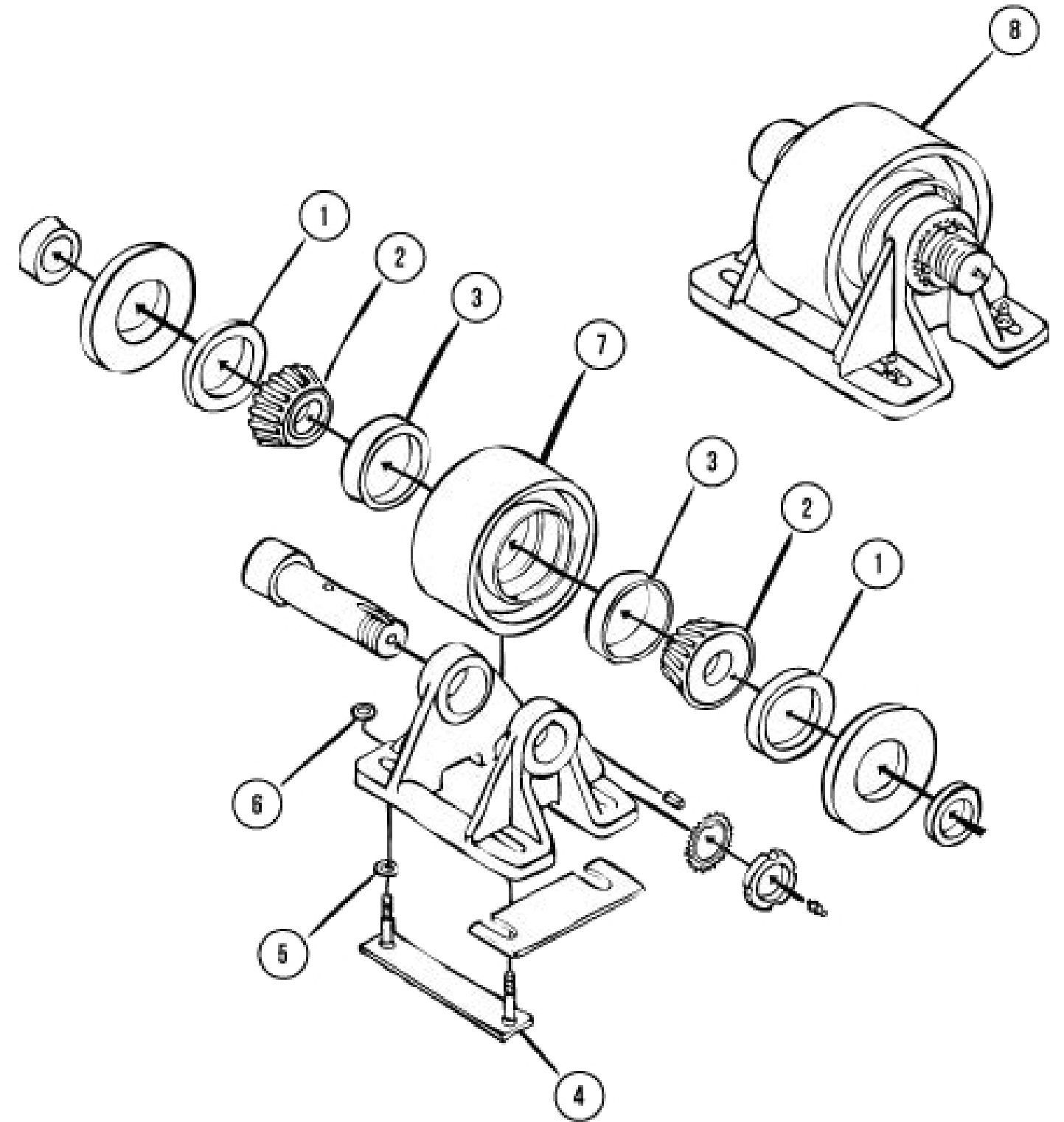
4.5IN WIDE X 9IN OUTER DIAMETER DRUM ROLLER AND COMPONENTS

REF	PART #	BRAND	DESCRIPTION	LINK	QTY
--	17026	Terex	Drum Roller Assembly	link	
1	12598	Terex	*Machined Trunnion Roller	link	1
2	12599	Terex	Trunnion Roller Shaft	link	1
3	13303	Terex	*Trunnion Roller Seal	link	2
4	12600	Terex	Drum Roller Shaft Spacer	link	1
5	13375	Terex	*Drum Roller Cup Bearing	link	2
6	13397	Terex	*Drum Roller Cone Bearing	link	2
--	12591	Terex	Retainer Plate	link	1
--	32515	Terex	3/8in-16 x 1.5in Roller Retainer Plate Set Square Head Screw	link	1

*Roller Sub Assembly is Part #50004



FORWARD DRUM ROLLERS



REF	PART #	BRAND	DESCRIPTION	LINK	QTY
1	42534	Terex	Roller Bearing Seal	link	2
2	42533	Terex	Drum Roller Cone Bearing	link	2
3	42532	Terex	Drum Roller Bearing Cup	link	2
4	40098	Terex	8in Roller Bolt Assembly	link	4
8	40830	Terex	Drum Roller Assembly	link	2

FORWARD DRUM ROLLERS



PART #	BRAND	DESCRIPTION	LINK	PART #	BRAND	DESCRIPTION	LINK
32490	Indiana Phoenix	4.5in x 9in Drum Roller Assembly	link	32380	Indiana Phoenix	Trunnion Roller Shaft	link



PART #	BRAND	DESCRIPTION	LINK
30170	Indiana Phoenix	Trunnion Roller Retainer Plate	link



PART #	BRAND	DESCRIPTION	LINK
31860	Indiana Phoenix	1.5in-12 Drum Roller Shaft Nut	link

FORWARD DRUM ROLLERS



PART #	BRAND	DESCRIPTION	LINK	PART #	BRAND	DESCRIPTION	LINK
32400	Indiana Phoenix	Drum Roller Cup Bearing	link	32390	Indiana Phoenix	Drum Roller Cone Bearing	link

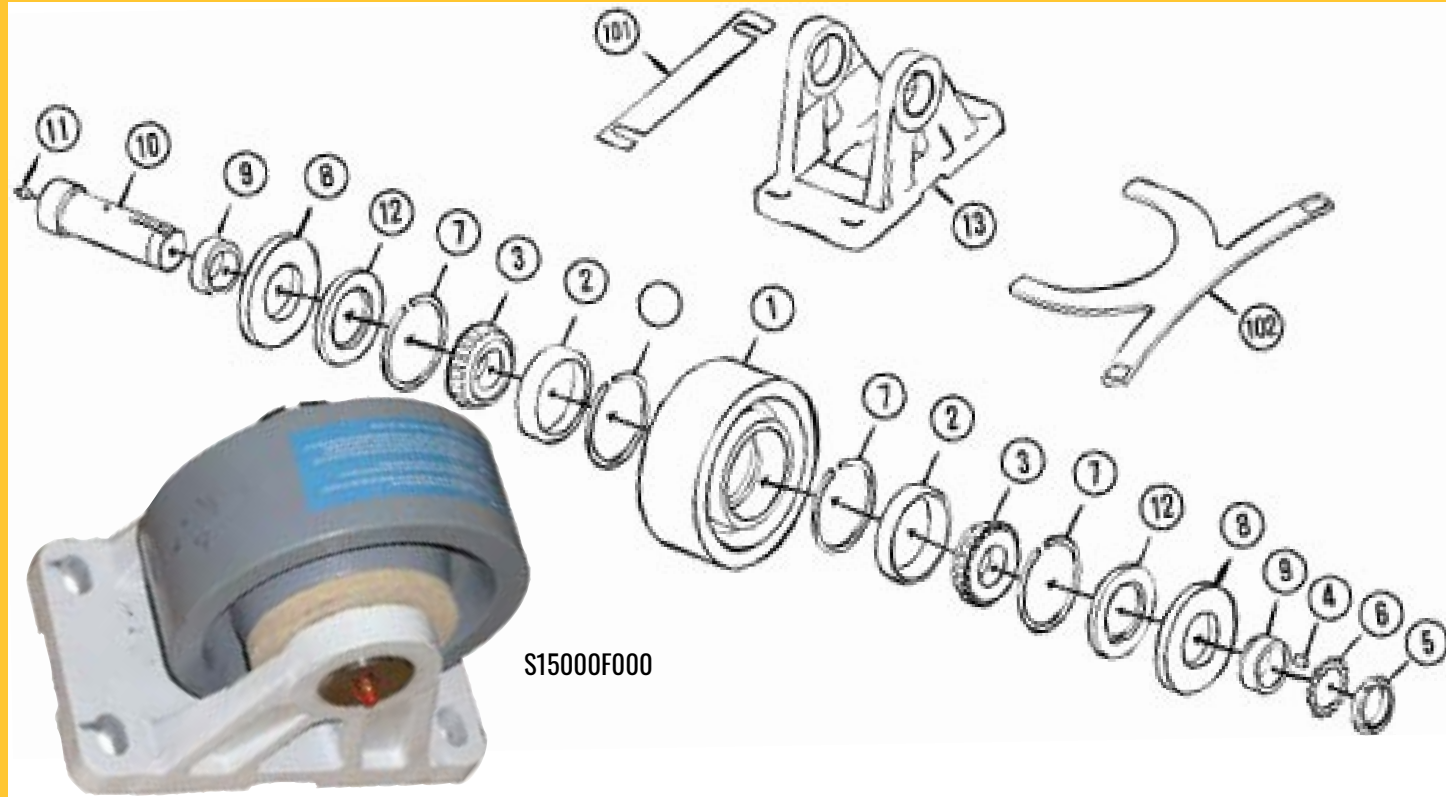


PART #	BRAND	DESCRIPTION	LINK
32420	Indiana Phoenix	Drum Roller Shaft Spacer	link



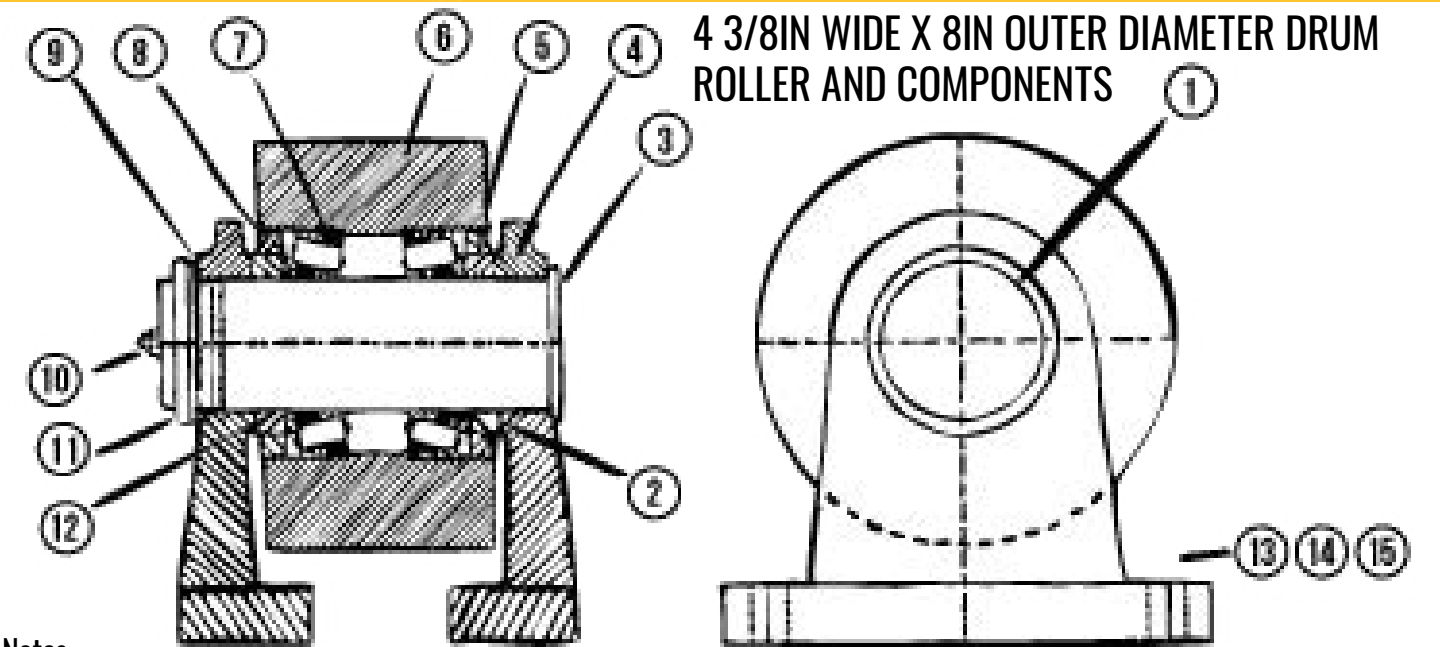
PART #	BRAND	DESCRIPTION	LINK
32410	Indiana Phoenix	Trunnion Roller Seal	link

FORWARD DRUM ROLLERS



REF	PART #	BRAND	DESCRIPTION	LINK	QTY
	S15000F000	Kimble	Complete Drum Roller Assembly	link	2
1	S15000F001	Kimble	Bare Drum Roller	link	1
2	S15000F002	Kimble	Drum Roller Cup Bearing	link	2
3	S15000F003	Kimble	Drum Roller Cone Bearing	link	2
4	S15000F004	Kimble	Drum Roller Key	link	1
5	S15000F005	Kimble	Drum Roller Locknut	link	1
6	S15000F006	Kimble	Drum Roller Lockwasher	link	1
7	S15000F007	Kimble	Drum Roller Retaining Ring	link	4
8	S15000F008	Kimble	Drum Roller Felt Seal	link	2
9	S15000F009	Kimble	Drum Roller Spacer	link	2
10	S15000F010	Kimble	Drum Roller Shaft	link	1
11	H62N040200	Kimble	1/8in Straight Grease Zerk Fitting	link	1
12	S15000F0112	Kimble	Drum Roller Grease Seal	link	2
13	A12719A	Kimble	Short Roller Bracket	link	1

FORWARD DRUM ROLLERS

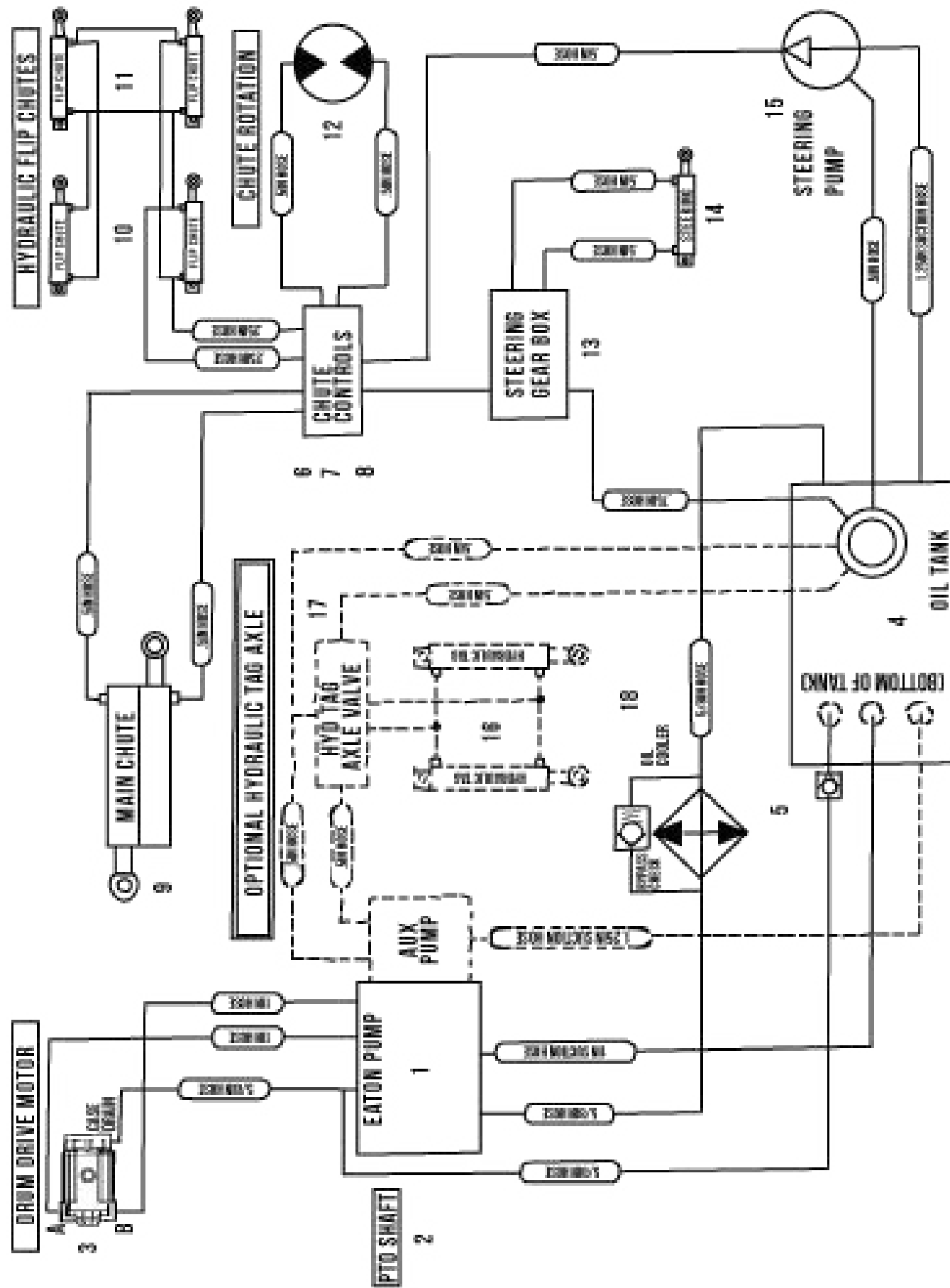


Notes:

- Prelubricate bearing cones and oil seals before assembling rollers (Do Not lubricate "O" rings)
- Pre-load bearings in assembly with locknut (**CAUTION:** Do not overload bearings)
- Drum roll should be movable by hand after assembly
- Fill roller with grease until visible through relief holes

REF	PART #	BRAND	DESCRIPTION	LINK	QTY
--	3225315	Oshkosh	Complete Drum Roller Assembly	link	
*	0067085AK	Oshkosh	Drum Roller Assembly Less Bracket	link	
--	MTM0067085S	Oshkosh	Drum Roller Sub Assembly	link	
--	3225315BK	Oshkosh	Drum Roller Bearing and Seal Kit	link	
1	0067076	Oshkosh	*Drum Roller Spring Pin	link	1
2	2181630	Oshkosh	*Drum Roller O-Ring	link	2
3	2181440	Oshkosh	*Drum Roller Shaft	link	1
4	0067082	Oshkosh	Drum Roller Bracket	link	2
5	0067089	Oshkosh	*Drum Roller Seal	link	2
6	0067081	Oshkosh	*Bare Drum Roller	link	1
7	4GX31	Oshkosh	*Chute Pivot Cup Bearing	link	2
8	0067086	Oshkosh	*Cone Bearing	link	2
9	0067077	Oshkosh	*Roller Lock Washer	link	1
10	9HS261	Oshkosh	1/8in Straight Grease Zerk Fitting	link	1
11	0067078	Oshkosh	*Drum Roller Locknut	link	1
12	0067088	Oshkosh	*Drum Roller Spacer Ring	link	2

*Kit



1. PUMP OPTIONS

REF	PART #	BRAND	DESCRIPTION	LINK
1	16899	Terex	Hydrostatic Pump - Remanufactured	link
	35799	Terex	CCW Rotation Re-Valve Hydraulic Pump with Filter - NEW	link
	35799EX	Terex	CCW Rotation Re-Valve Hydraulic Pump with Filter - Rebuilt	link
	29272	Terex	CCW Hydrostatic Pump with RE Control	link
	29311	Terex	CCW Rotation Re-Valve Hydraulic Pump with Filter - NEW	link
	29313	Terex	Hydrostatic Pump - NEW	link
	29313EX	Terex	Hydrostatic Pump - Rebuilt	link
	36057	Terex	1.5in Shaft Left Hand Hydrostatic Pump	link
	20481	Terex	Hydrostatic Pump with RE Control	link
	29310	Terex	1.5in Shaft Left Hand Hydrostatic Pump	link
	36058	Terex	LH Eaton Hydraulic Pump With 2.14 A-Pad Charge Pump	link
	35801	Terex	46 Series Rebuilt Hydraulic Motor - NEW	link
	35801EX	Terex	46 Series Rebuilt Hydraulic Motor - Rebuilt	link
	29312	Terex	Hydraulic Pump-54 Series, 2.14 A-Pad Charge Pump - NEW	link
	29312EX	Terex	Hydraulic Pump-54 Series, 2.14 A-Pad Charge Pump - Rebuilt	link
	13573	Terex	1.5in Shaft Left Hand Hydrostatic Pump - NEW	link
	13573EX	Terex	1.5in Shaft Left Hand Hydrostatic Pump - Rebuilt	link

HYDRAULICS



2. PTO SHAFTS

REF	PART #	BRAND	DESCRIPTION	LINK
2	12223	Terex	Hydraulic Pump PTO Driveshaft	link
	30201	Terex	PTO Driveshaft 1410 Series ISX	link
	32312	Terex	PTO Driveshaft 1410 Series DD13	link

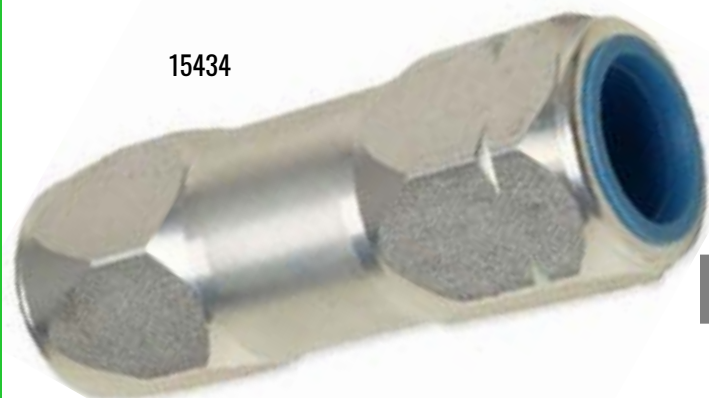


3. DRUM DRIVE MOTORS

REF	PART #	BRAND	DESCRIPTION	LINK
3	29318	Terex	Drum Drive Motor	link
	29320	Terex	Speed Sensor Motor	link
	29317	Terex	Drum Drive 54 Motor	link
	29319	Terex	Drum Drive 54 Motor - Speed Sensor	link

4. OIL TANKS

REF	PART #	BRAND	DESCRIPTION	LINK
4	29427	Terex	22 Gallon Hydraulic Reservoir Kit	--



5. BYPASS VALVES

REF	PART #	BRAND	DESCRIPTION	LINK
5	15434	Terex	Bypass Check Valve	link

HYDRAULICS



6. CONTROL MANIFOLDS

REF	PART #	BRAND	DESCRIPTION	LINK
6	24327	Terex	3 Spool Elec/ Hyd Control Manifold Assembly	link
	31210	Terex	2 Spool Elec/ Hyd Control Manifold Assembly	--

7. SHIELDS

REF	PART #	BRAND	DESCRIPTION	LINK
7	33437	Terex	Hydraulic/Electric Shield	link

8. BRACKETS

REF	PART #	BRAND	DESCRIPTION	LINK
7	33421	Terex	MY12 Electric/Hydraulic Bracket	link



9. PIGGYBACK CYLINDERS

REF	PART #	BRAND	DESCRIPTION	LINK
9	12660	Terex	Piggy Back Main Chute Lift Cylinder	link

10. AND 11. HYDRAULIC FLIP CHUTES

REF	PART #	BRAND	DESCRIPTION	LINK
10	31683	Terex	Power Chute Cylinder Offset Ports	link
11	16099	Terex	Hydraulic Power Chute Cylinder for Chute Fold Assembly	link

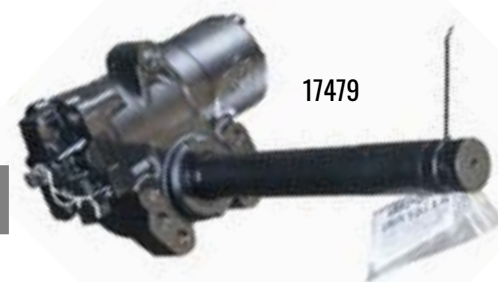


12. CHUTE SWING MOTORS

REF	PART #	BRAND	DESCRIPTION	LINK
12	33405	Terex	Hydraulic Chute Swing Motor	link

13. STEERING GEARS

REF	PART #	BRAND	DESCRIPTION	LINK
13	17479	Terex	Steering Gearbox Assembly	link



14. STEERING CYLINDERS

REF	PART #	BRAND	DESCRIPTION	LINK
14	33709	Terex	Steering Cylinder With Sockets	link

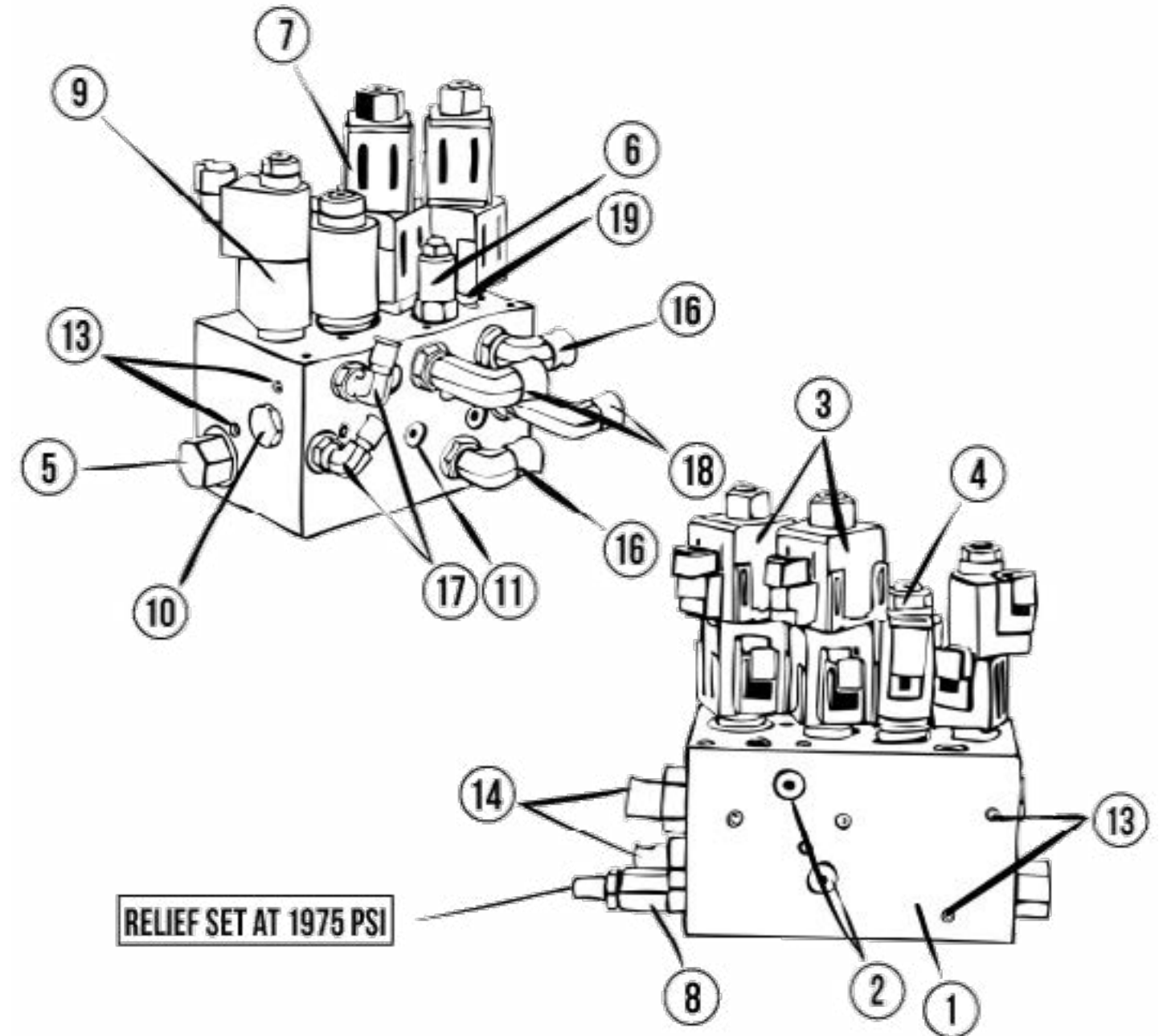


15. STEERING PUMPS

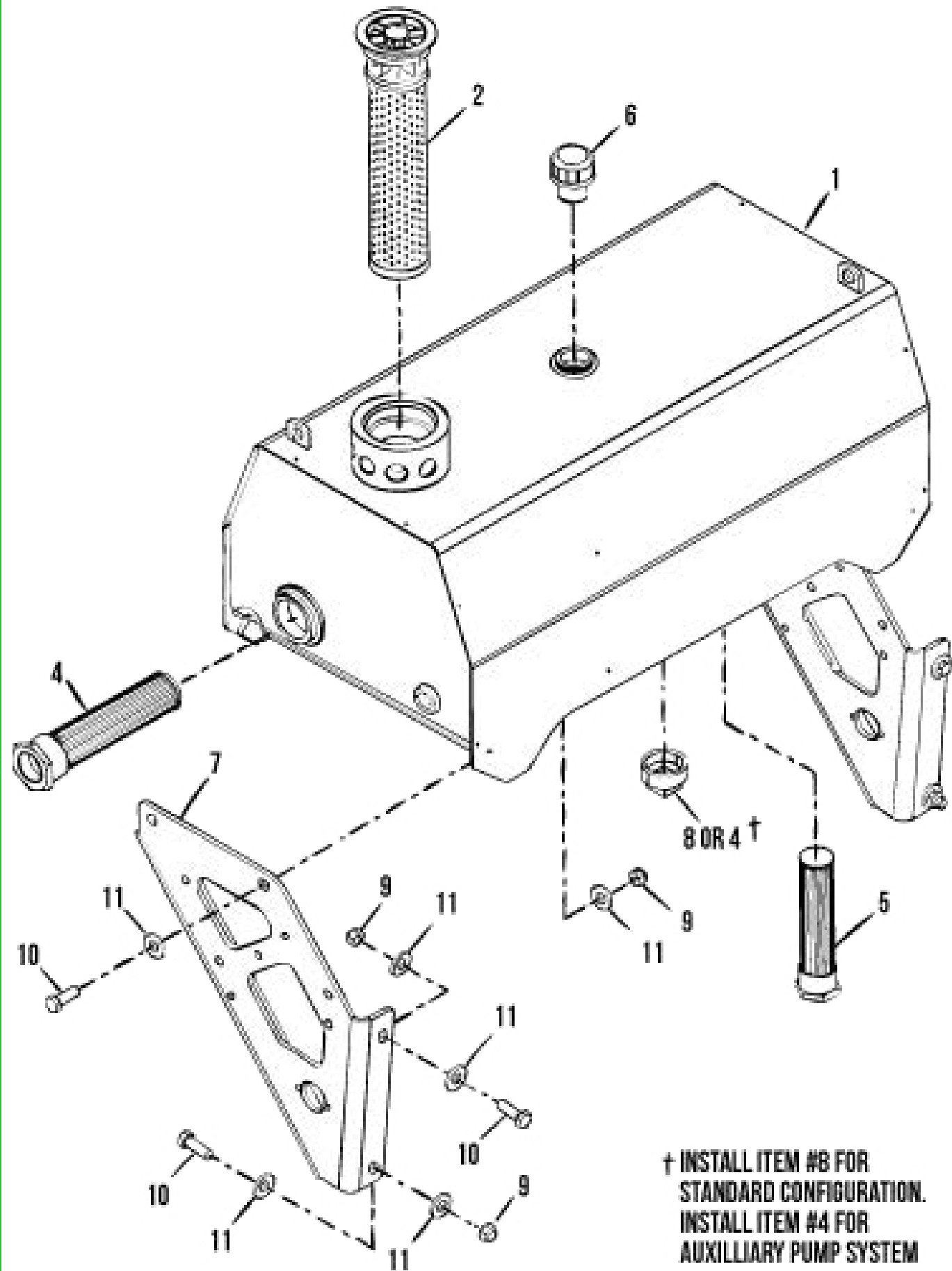
REF	PART #	BRAND	DESCRIPTION	LINK
15	32231	Terex	Power Steering Pump 1.51 CI - CCW 11 Tooth	link
	31887	Terex	Power Steering Pump for 2010 ISX Engines	link
	31887FRV	Terex	Hydraulic Flow Regulating Valve For 31887 Power Steering Pump	link

16. STEERING CYLINDERS

REF	PART #	BRAND	DESCRIPTION	LINK
16	28151	Terex	Trailer Axle Lift Cylinder For Watson Axles	link



REF	PART #	BRAND	DESCRIPTION	LINK
1	24327	Terex	Hydraulic Chute Block Manifold Assembly	link
2	27051	Terex	Check Valve for Load Sensing on 24327 Block	link
3	27052	Terex	4-Way Proportional Valve For Chute Up-Down Or Chute Swing	link
4	27053	Terex	4-Way On-Off Cartridge And Coil Assembly For Power Chute Cylinders	link
5	28828	Terex	Logic Element Valve - 190 lb	link
6	27055	Terex	Hydraulic Counter Balance Valve	link
7	27056	Terex	Normally Open Cartridge and Coil Assembly - Dump Valve	link
8	27057	Terex	Relief Valve for 24327 Block	link
10	27059	Terex	Pilot Operated Check Valve Size 8	link



† INSTALL ITEM #8 FOR STANDARD CONFIGURATION. INSTALL ITEM #4 FOR AUXILLIARY PUMP SYSTEM



1. RESERVOIRS

REF	PART #	BRAND	DESCRIPTION	LINK
1	34907	Terex	Hydraulic Tank	link

2. FILTERS

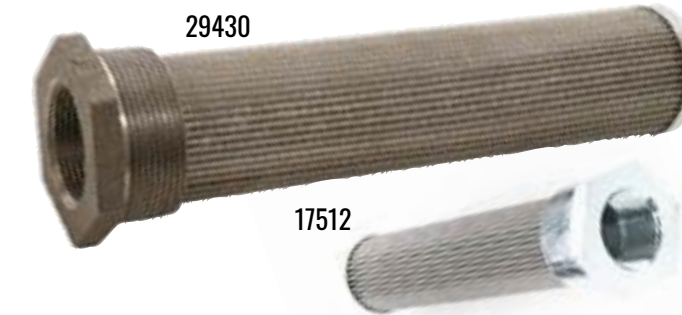
REF	PART #	BRAND	DESCRIPTION	LINK
2	29428	Terex	Hydraulic Tank Bypass Filter And Cap Assembly 10-Mic 25PSI	link



3. SWITCHES

REF	PART #	BRAND	DESCRIPTION	LINK
3	29429	Terex	21 PSI No Pressure Switch **Not Shown	link

4. AND 5. STRAINERS



REF	PART #	BRAND	DESCRIPTION	LINK
4	29430	Terex	2 x 1.25 NPT 100 Mesh Strainer	link
5	17512	Terex	1.5 x 1.0 NPT 100 Mesh Strainer	link

6. BREATHERS

REF	PART #	BRAND	DESCRIPTION	LINK
6	29431	Terex	1.25in NPT Hydraulic Reservoir Breather	link



7. BRACKETS

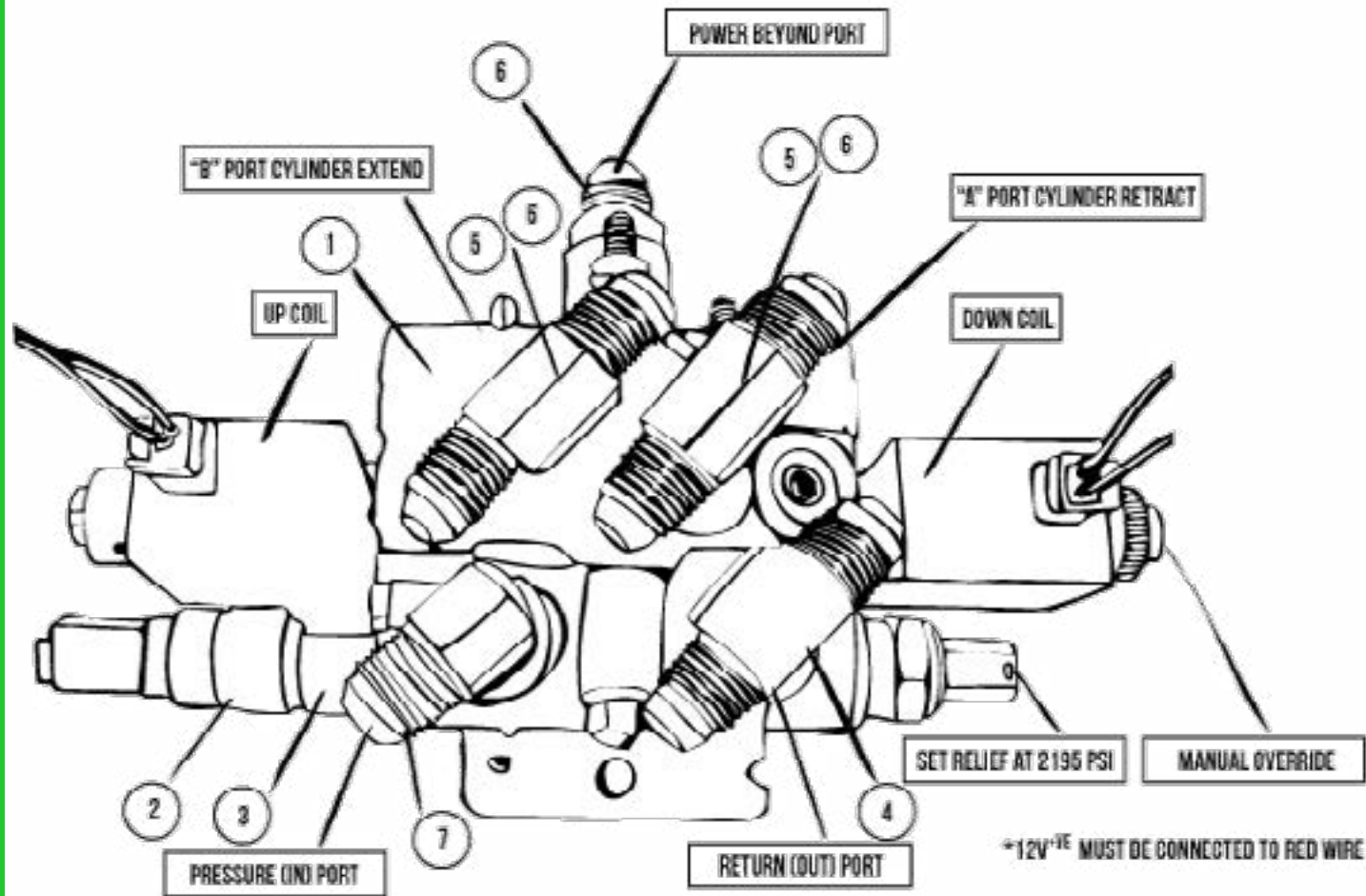
REF	PART #	BRAND	DESCRIPTION	LINK
7	29482	Terex	Hydraulic Tank Bracket - 22 Gallon	link

8. PLUGS

REF	PART #	BRAND	DESCRIPTION	LINK
8	29436	Terex	2in Steel Square Head Plug	link



HYDRAULICS



REF	PART #	BRAND	DESCRIPTION	LINK
1	32784	Terex	MY11 Valve for Trailer Axle	link
2	32877	Terex	PSI Hydraulic Normally Closed Piston Pressure Switch	link



PART #	BRAND	DESCRIPTION	LINK	PART #	BRAND	DESCRIPTION	LINK
34970	Terex	Hydraulic Tag Axle Coil for 34971 Cartridge on 32784 Valve	link	34971	Terex	Hydraulic Tag Axle Cartridge	link

HYDRAULICS



PART #	BRAND	DESCRIPTION	LINK
28921	Terex	Hydraulic Gear Pump-1.87CID - 8GPM	link



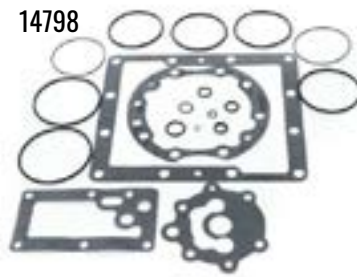
PART #	BRAND	DESCRIPTION	LINK
28683	Terex	Hydraulic Pump - 9 Tooth	link



PART #	BRAND	DESCRIPTION	LINK
28921	Terex	Hydraulic Gear Pump-1.87CID - 8GPM	link

PART #	BRAND	DESCRIPTION	LINK
40420	Terex	Valve Block - Hydraulic Double Acting Bridge	link
40443	Terex	Right Hand Hydraulic Cylinder Latch	link
40461	Terex	Mixer 3/4in Sight Gauge Plug for Hydraulic Tanks	link
40652	Terex	Eaton RE Hydraulic Pump	link
40912	Terex	10.5 Yard Hydraulic Mixer Drive Install	link

HYDRAULICS



PART #	BRAND	DESCRIPTION	LINK
14798	Terex	Hydraulic Pump Seal and Gasket Kit	link



PART #	BRAND	DESCRIPTION	LINK
29316	Terex	Hydraulic Gear Pony Pump With Flow Divider	link



PART #	BRAND	DESCRIPTION	LINK
30107	Terex	Hydraulic Sight Gauge	link



PART #	BRAND	DESCRIPTION	LINK
11428	Terex	Hydraulic Chute Swing Motor	link



PART #	BRAND	DESCRIPTION	LINK
11494	Terex	Hydraulic Oil Cooler Assembly	link



PART #	BRAND	DESCRIPTION	LINK
12180	Terex	Hydraulic Tee Fitting	link

HYDRAULICS



PART #	BRAND	DESCRIPTION	LINK
23175	Terex	Hydraulic Gear Pump - 1.37 Cid	link



PART #	BRAND	DESCRIPTION	LINK
12734	Terex	17 Gallon Hydraulic Reservoir Tank	link



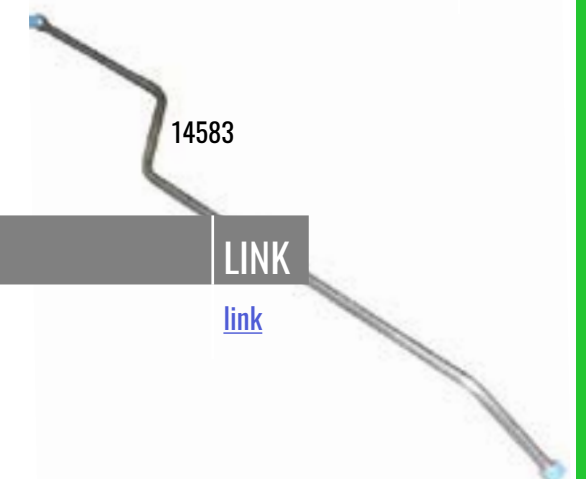
PART #	BRAND	DESCRIPTION	LINK
34979	Terex	Hydraulic Power Chute Cylinder	link



PART #	BRAND	DESCRIPTION	LINK
36717	Terex	Steel Hydraulic Reservoir Breather - SAE O-Ring Boss	link

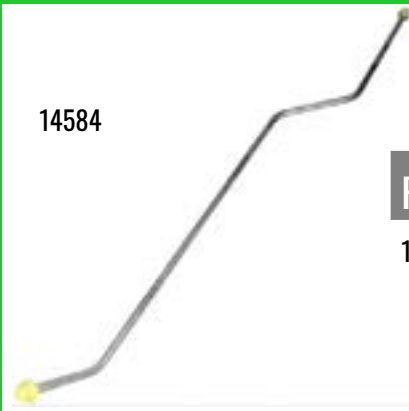


PART #	BRAND	DESCRIPTION	LINK
37184	Terex	Steel Hydraulic Reservoir Breather - SAE O-Ring Boss	link



PART #	BRAND	DESCRIPTION	LINK
14583	Terex	1 inch SS Hydraulic Return Tube with Bend	link

HYDRAULICS



14584

PART #	BRAND	DESCRIPTION	LINK
14584	Terex	.75in SS Hydraulic Return Tube with Bend	link

PART #	BRAND	DESCRIPTION	LINK
14585	Terex	1 inch SS Hydraulic Return Tube - Straight	link



14586

PART #	BRAND	DESCRIPTION	LINK
14586	Terex	3/4 inch SS Hydraulic Return Tube - Straight	link

PART #	BRAND	DESCRIPTION	LINK
14594	Terex	Dipstick for Hydraulic Reservoir Tank	link



37438

PART #	BRAND	DESCRIPTION	LINK
37438	Terex	Hydraulic Reservoir Breather - 1.25in NPT	link

PART #	BRAND	DESCRIPTION	LINK
15422	Terex	High Pressure Hydraulic Filter Assembly 10 Micron	link



14585



14594

15422



HYDRAULICS



15423

PART #	BRAND	DESCRIPTION	LINK
15423	Terex	Hydraulic Suction Filter without Relief Valve	link

PART #	BRAND	DESCRIPTION	LINK
15424	Terex	Spin-On Hydraulic Filter	link



15641

PART #	BRAND	DESCRIPTION	LINK
15641	Terex	High Pressure Hydraulic Hose Assembly	link

PART #	BRAND	DESCRIPTION	LINK
36563	Terex	Hydraulic Reservoir	link



16930

PART #	BRAND	DESCRIPTION	LINK
16930	Terex	Hydraulic Reservoir Breather - .75in NPT	link

PART #	BRAND	DESCRIPTION	LINK
35698	Terex	Hydraulic Reservoir	link

15424



36563



35698



HYDRAULICS

19489



PART #	BRAND	DESCRIPTION	LINK
19489	Terex	Hydraulic Motor Gasket	link

24140



PART #	BRAND	DESCRIPTION	LINK
24140	Terex	Plastic Hydraulic Gearbox Oil Sight Gauge	link

22955



PART #	BRAND	DESCRIPTION	LINK
22955	Terex	High Pressure Hydraulic Hose Assembly	link

29315



PART #	BRAND	DESCRIPTION	LINK
29315	Terex	Hydraulic Pump Spin On Filter	link

23084



PART #	BRAND	DESCRIPTION	LINK
23084	Terex	42.5in Hydraulic Chute Assembly Hose	link

29376



PART #	BRAND	DESCRIPTION	LINK
29376	Terex	Hydraulic Tank	link

HYDRAULICS

23085



PART #	BRAND	DESCRIPTION	LINK
23085	Terex	Hydraulic Hose	link

23087



PART #	BRAND	DESCRIPTION	LINK
23087	Terex	34in Hydraulic Chute Assembly Hose	link

70680



PART #	BRAND	DESCRIPTION	LINK
70680	Indiana Phoenix	Small Style Slump Meter Gauge 2001-2011	link

795104



PART #	BRAND	DESCRIPTION	LINK
795104	Indiana Phoenix	Lighted Slump Gauge	link

34320



PART #	BRAND	DESCRIPTION	LINK
34320	Indiana Phoenix	Hydraulic Chute Lift Piggy Back Cylinder	link

33391



PART #	BRAND	DESCRIPTION	LINK
33391	Indiana Phoenix	Hydraulic Power Chute Cylinder-Fold Assembly	link

HYDRAULICS



33392

PART #	BRAND	DESCRIPTION	LINK
33392	Indiana Phoenix	Power Chute Cylinder with Offset Ports	link

PART #	BRAND	DESCRIPTION	LINK
--------	-------	-------------	------

90210 Indiana Phoenix Hydraulic Suction Filter [link](#)

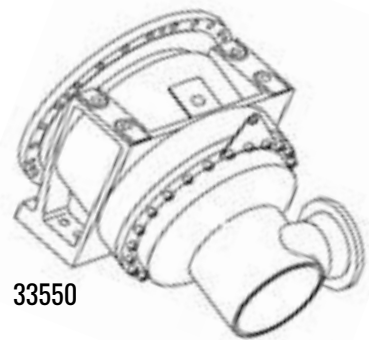


90420

PART #	BRAND	DESCRIPTION	LINK
90420	Indiana Phoenix	High Pressure Hydraulic Filter Assembly 10 Micron	link

PART #	BRAND	DESCRIPTION	LINK
--------	-------	-------------	------

90150 Indiana Phoenix Spin-On Hydraulic Filter [link](#)



33550

PART #	BRAND	DESCRIPTION	LINK
33550	Indiana Phoenix	ZF Mixer Drum Drive Gearbox	link

PART #	BRAND	DESCRIPTION	LINK
--------	-------	-------------	------

33550EX Indiana Phoenix ZF PK7500 Gearbox - Rebuilt Exchange - Terex & Phoenix FWD [link](#)



90210



90150



33550EX

HYDRAULICS



34160

PART #	BRAND	DESCRIPTION	LINK
34160	Indiana Phoenix	Plastic Hydraulic ZT Gearbox Oil Sight Gauge	link

PART #	BRAND	DESCRIPTION	LINK
--------	-------	-------------	------

33170 Indiana Phoenix Gearbox Main Output Seal - Sealing Collar [link](#)



35080

PART #	BRAND	DESCRIPTION	LINK
35080	Indiana Phoenix	Slotted Nut	link

2BH170 Indiana Phoenix Slotted Nut [link](#)

PART #	BRAND	DESCRIPTION	LINK
--------	-------	-------------	------

34162 Indiana Phoenix Sight Gauge [link](#)



34163

PART #	BRAND	DESCRIPTION	LINK
34163	Indiana Phoenix	ZT Gearbox Breather Plug	link

PART #	BRAND	DESCRIPTION	LINK
--------	-------	-------------	------

40020 Indiana Phoenix Hydraulic Cooler Assembly [link](#)



33170



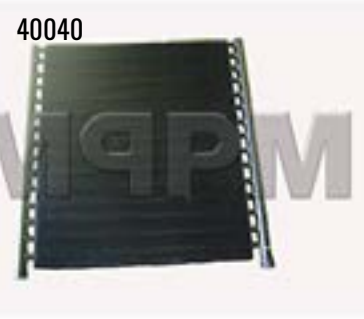
34162



40020

HYDRAULICS

40040



PART #	BRAND	DESCRIPTION	LINK
40040	Indiana Phoenix	Hydraulic Transmission Cooler	link



61000

PART #	BRAND	DESCRIPTION	LINK
61000	Indiana Phoenix	Bypass Check Valve	link

PART #	BRAND	DESCRIPTION	LINK
33770	Indiana Phoenix	Rear Hydraulic Tank	link

PART #	BRAND	DESCRIPTION	LINK
A16930	Indiana Phoenix	Hydraulic Reservoir Breather	link



A16930

90800



PART #	BRAND	DESCRIPTION	LINK
90800	Indiana Phoenix	Hydraulic Oil Tank Strainer	link

PART #	BRAND	DESCRIPTION	LINK
60960	Indiana Phoenix	Companion Flange Yoke - 1350 Series 1 3/8in Shaft	link



60960

HYDRAULICS

53240



PART #	BRAND	DESCRIPTION	LINK
53240	Indiana Phoenix	Standard Half Round End Yoke With Slinger	link

PART #	BRAND	DESCRIPTION	LINK
10921	Indiana Phoenix	2 Spool Hydraulic Control Valve - Cable Driven	link



10921



10922

PART #	BRAND	DESCRIPTION	LINK
10922	Indiana Phoenix	3 Spool Hydraulic Control Valve - Cable Driven	link

PART #	BRAND	DESCRIPTION	LINK
30430	Indiana Phoenix	2 Spool Hydraulic Valve	link



30430



30110

PART #	BRAND	DESCRIPTION	LINK
30110	Indiana Phoenix	2 Spool Chute Control Valve	link

PART #	BRAND	DESCRIPTION	LINK
33310	Indiana Phoenix	3 Spool Relief Valve Assembly	link



33310

HYDRAULICS



PART #	BRAND	DESCRIPTION	LINK
A29461	Indiana Phoenix	2 Spool Chute Control Valve	link

PART #	BRAND	DESCRIPTION	LINK
A29462	Indiana Phoenix	3 Spool Valve	link



PART #	BRAND	DESCRIPTION	LINK
60440	Indiana Phoenix	Rebuilt Hydraulic Motor	link

PART #	BRAND	DESCRIPTION	LINK
735114	Indiana Phoenix	Secondary Hydraulic Pump	link



PART #	BRAND	DESCRIPTION	LINK
60940	Indiana Phoenix	A-Pad Gasket	link

PART #	BRAND	DESCRIPTION	LINK
60880	Indiana Phoenix	Hydraulic Pump Seal and Gasket Kit	link



HYDRAULICS



PART #	BRAND	DESCRIPTION	LINK
60510	Indiana Phoenix	Control Valve Lever Arm	link

PART #	BRAND	DESCRIPTION	LINK
45390	Indiana Phoenix	Hi-Pressure O-Ring	link



PART #	BRAND	DESCRIPTION	LINK
645124	Indiana Phoenix	Start Stop RE Control Valve Cartridge	link

PART #	BRAND	DESCRIPTION	LINK
90850	Indiana Phoenix	Shaft Seal Kit for 33-54 Series	link



PART #	BRAND	DESCRIPTION	LINK
43590	Indiana Phoenix	Half Round Yoke	link

PART #	BRAND	DESCRIPTION	LINK
43580	Indiana Phoenix	Half Round Transfer Case Yoke	link



HYDRAULICS



A20545

PART #	BRAND	DESCRIPTION	LINK
A20545	Indiana Phoenix	PTO Shaft U-Joint	link

60910



PART #	BRAND	DESCRIPTION	LINK
60910	Indiana Phoenix	Seal Kit	link



60810

PART #	BRAND	DESCRIPTION	LINK
60810	Indiana Phoenix	18.5in Shaft From Eaton Pump To Engine	link

645122



PART #	BRAND	DESCRIPTION	LINK
645122	Indiana Phoenix	Drum Charge/Discharge Solenoid Coil	link



60720

PART #	BRAND	DESCRIPTION	LINK
60720	Indiana Phoenix	PTO Drive Shaft	link

60480



PART #	BRAND	DESCRIPTION	LINK
60480	Indiana Phoenix	Universal Joint	link
13DS20	Indiana Phoenix	Universal Joint	link

HYDRAULICS

455105



PART #	BRAND	DESCRIPTION	LINK
455105	Indiana Phoenix	PTO Service Shaft 1410	link

59070



PART #	BRAND	DESCRIPTION	LINK
59070	Indiana Phoenix	Driveline Yoke Strap Kit	link

34650



PART #	BRAND	DESCRIPTION	LINK
34650	Indiana Phoenix	RE Remote Control Valve	link

61025



PART #	BRAND	DESCRIPTION	LINK
61025	Indiana Phoenix	Start/Stop Drum Control Valve	link

595104



PART #	BRAND	DESCRIPTION	LINK
595104	Indiana Phoenix	Pump RE Control Valve Gasket	link

HYDRAULICS

33780



PART #	BRAND	DESCRIPTION	LINK
33780	Indiana Phoenix	Control Valve Gasket	link

A19724



PART #	BRAND	DESCRIPTION	LINK
A19724	Indiana Phoenix	Spool Valve Seal Kit	link



732100

PART #	BRAND	DESCRIPTION	LINK
732100	Indiana Phoenix	Input Shaft Seal Kit	link



90600

PART #	BRAND	DESCRIPTION	LINK
90600	Indiana Phoenix	Hydraulic Valve Control Joystick Cable	link



30901

PART #	BRAND	DESCRIPTION	LINK
30901	Indiana Phoenix	Air Over Hydraulic Valve Lever	link

HYDRAULICS



H901001200

PART #	BRAND	DESCRIPTION	LINK
H901001200	Kimble	Concrete Mixer Hydraulic Spin On Oil Filter	link



200030901

PART #	BRAND	DESCRIPTION	LINK
200030901	Kimble	High Pressure Hose Split Flange	link

PART #	BRAND	DESCRIPTION	LINK
900003414	Kimble	Coil	link
900003417	Kimble	Coil	link
900003418	Kimble	Nut Coil & O-Ring Kit	link



PART #	BRAND	DESCRIPTION	LINK
3HS295	Oshkosh	Concrete Mixer Hydraulic Spin On Oil Filter	link



3HS295

PART #	BRAND	DESCRIPTION	LINK
2252710	Oshkosh	Rear Pedestal Hydraulic Reservoir Tank	link



2252710



3HA745

PART #	BRAND	DESCRIPTION	LINK
3HA745	Oshkosh	Hydraulic Valve Coil Assembly	link

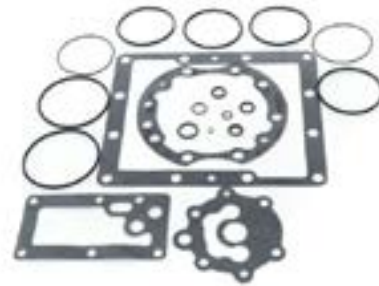
HYDRAULICS



3131070

PART #	BRAND	DESCRIPTION	LINK
3131070	Oshkosh	Hydraulic Drum Start Stop Solenoid Valve Assembly	link

2BH565



PART #	BRAND	DESCRIPTION	LINK
2BH565	Oshkosh	Hydraulic Pump Seal and Gasket Kit	link



2182010

PART #	BRAND	DESCRIPTION	LINK
2182010	Oshkosh	Hydraulic Chute Swing Motor	link



3546914

PART #	BRAND	DESCRIPTION	LINK
3546914	Oshkosh	Hydraulic Cylinder 4 x 11	link



3353284

PART #	BRAND	DESCRIPTION	LINK
3353284	Oshkosh	Remanned Hydraulic Pump with RE Control	link
1578816	Oshkosh	Remanned Hydraulic Pump with RE Control	link



2HD200

PART #	BRAND	DESCRIPTION	LINK
2HD200	Oshkosh	Hydraulic Aftermarket Replacement Primary Filter Element	link

HYDRAULICS

3674435



PART #	BRAND	DESCRIPTION	LINK
3674435	Oshkosh	Hydraulic Control Block Manifold	link



3219643

PART #	BRAND	DESCRIPTION	LINK
3219643	Oshkosh	Hydraulic Valve	link



3HA732

PART #	BRAND	DESCRIPTION	LINK
3HA732	Oshkosh	3-Way Hydraulic Solenoid Valve Assembly - Axle Down	link



3HA733

PART #	BRAND	DESCRIPTION
3HA733	Oshkosh	3-Way Hydraulic Solenoid Valve Assembly - Axle Up

3740261



PART #	BRAND	DESCRIPTION	LINK
3740261	Oshkosh	Hydraulic Return Oil Filter Assembly	link

HYDRAULICS



3HB261

PART #	BRAND	DESCRIPTION	LINK
3HB261	Oshkosh	Hydraulic Spool Valve Lever Cap - Walvoil	link



2041850

PART #	BRAND	DESCRIPTION	LINK
2041850	Oshkosh	Hydraulic Reservoir	link



3419671

PART #	BRAND	DESCRIPTION	LINK
3419671	Oshkosh	Hydraulic Oil Cooler Assembly	link



3590169

PART #	BRAND	DESCRIPTION	LINK
3590169	Oshkosh	Hydraulic Chute Control Valve - LSTA	link



3382976

PART #	BRAND	DESCRIPTION	LINK
3382976	Oshkosh	Hydraulic Manifold Block LSTA 300PSI	link

1426840



PART #	BRAND	DESCRIPTION	LINK
1426840	Oshkosh	Hydraulic Return Oil Filter Assembly Gasket	link

HYDRAULICS



1990140

PART #	BRAND	DESCRIPTION	LINK
1990140	Oshkosh	Hydraulic Oil Sight Gauge	link



2001140

PART #	BRAND	DESCRIPTION	LINK
2001140	Oshkosh	Mixer Hydraulic Oil Filter Element	link



2HL299

PART #	BRAND	DESCRIPTION	LINK
2HL299	Oshkosh	Hydraulic Chute Swing Motor Seal Kit for 11428	link



5HA315

PART #	BRAND	DESCRIPTION	LINK
5HA315	Oshkosh	Hydraulic Chute Cylinder Repair Kit for 3329891 1280587	link



PART #	BRAND	DESCRIPTION	LINK
3590169	Oshkosh	Hydraulic Pump	link

2173190



PART #	BRAND	DESCRIPTION	LINK
2173190	Oshkosh	Hydraulic Gear Pump	link

HYDRAULICS

3HB477



PART #	BRAND	DESCRIPTION	LINK
3HB477	Oshkosh	Hydraulic Pump Spin On Filter	link
1331754	Oshkosh	Hydraulic Pump Spin On Filter	link

3353288



PART #	BRAND	DESCRIPTION	LINK
3353288	Oshkosh	Hydraulic Motor without HPRV	link
1578840	Oshkosh	Hydraulic Motor without HPRV	link

5HA975



PART #	BRAND	DESCRIPTION	LINK
5HA975	Oshkosh	Hydraulic Cartridge Filter	link

PART #	BRAND	DESCRIPTION	LINK
2BH422	Oshkosh	Hydraulic Motor Gasket	link

2BH422



3389332



PART #	BRAND	DESCRIPTION	LINK
3389332	Oshkosh	LSTA Hydraulic Cylinder 4 x 11	link

HYDRAULICS

3240481



PART #	BRAND	DESCRIPTION	LINK
3240481	Oshkosh	Lever Handle For Hydraulic Spool Valve Lever Cap	link

PART #	BRAND	DESCRIPTION	LINK
2BH140	Oshkosh	Power Chute Cylinder	link
3329891	Oshkosh	Power Chute Cylinder	link



2BH140



2BH123

PART #	BRAND	DESCRIPTION	LINK
2BH123	Oshkosh	Power Chute Cylinder Small	link
82322	Oshkosh	Power Chute Cylinder Small	link

PART #	BRAND	DESCRIPTION	LINK
2057820	Oshkosh	Hydraulic Hood Lift Cylinder	link



2057820

2082810



PART #	BRAND	DESCRIPTION	LINK
2082810	Oshkosh	Mixer Drum Drive Gearbox	link



6HA524

PART #	BRAND	DESCRIPTION	LINK
6HA524	Oshkosh	Drum Drive Vented Dipstick	link

8HA176



PART #	BRAND	DESCRIPTION	LINK
8HA176	Oshkosh	Driveline Tapered End Yoke-1350 for 1-1/2in Tapered Shaft	link

PART #	BRAND	DESCRIPTION	LINK
2GN538	Oshkosh	U-Joint, 1310-1350	link



2GN538

2043040



PART #	BRAND	DESCRIPTION	LINK
2043040	Oshkosh	PTO Driveline Assembly	link

3324982



PART #	BRAND	DESCRIPTION	LINK
3324982	Oshkosh	Companion Flange Strap Kit 1410	link



6HB537

PART #	BRAND	DESCRIPTION	LINK
6HB537	Oshkosh	Control Valve Link - Long for RE Control	link

PART #	BRAND	DESCRIPTION	LINK
2BH535	Oshkosh	Pump Swash Plate Dog Bone Link	link



2BH535

PAGE
INTENTIONALLY
LEFT
BLANK

COMMON TEREX AIR FITTINGS



MANY MORE SIZES
AVAILABLE

CONNECTORS

PART #	DESCRIPTION	FEMALE PIPE THREAD	MALE PIPE THREAD	PUSH TO CONNECT	PUSH TO CONNECT	°	LINK
28133	Connector Fitting 1/8in MPT x 1/4in Tube	--	1/8in	1/4in	--	--	link
29292	Connector Fitting 1/4" MPT x 1/4" Tube	--	1/4in	1/4in	--	--	link
28137	Connector Fitting 1/4" MPT x 3/8" Tube	--	1/4in	3/8in	--	--	link
33288	Connector Fitting 3/8" MPT x 3/8" Tube	--	3/8in	3/8in	--	--	link
33297	Connector Fitting 1/2" MPT x 3/8" Tube	--	1/2in	3/8in	--	--	link
33290	Brass DOT Connector Compression 1/2Tube x 1/2MPT	--	1/2in	1/2in	--	--	link
30448	Connector Fitting 1/2" MPT x 3/4" Tube	--	1/2in	3/4in	--	--	link

COMPOSITE RUN TEE



PART #	DESCRIPTION	MALE PIPE THREAD	PUSH TO CONNECT	PUSH TO CONNECT	LINK
28608	.25in MNPT X .25in PTC X .25in PTC Tee Fitting	1/4in	1/4in	1/4in	link

BULKHEAD COUPLING



PART #	DESCRIPTION	FEMALE PIPE THREAD	LINK
11704	Bulkhead Fitting 1/8" FPT	1/8in	link
17654	Bulkhead Fitting 1/4" FPT	1/4in	link
12231	Bulkhead Fitting 1/2" FPT	1/2in	link

COMMON TEREX AIR FITTINGS



COMPOSITE ELBOWS

PART #	DESCRIPTION	FEMALE PIPE THREAD	MALE PIPE THREAD	PUSH TO CONNECT	PUSH TO CONNECT	°	LINK
34146	Elbow 45 Fitting 1/2" MPT x 3/4" Tube	--	1/2in	3/4in	--	45°	link
28143	Elbow 90 Fitting 1/4" MPT x 1/4" Tube	--	1/4in	1/4in	--	90°	link
28091	Elbow 90 Fitting 1/4" MPT x 3/8" Tube	--	1/4in	3/8in	--	90°	link
28609	Elbow 90 Fitting 1/4" MPT x 1/2" Tube	--	1/4in	1/2in	--	90°	link
23689	Elbow 90 Fitting 3/8" MPT x 3/8" Tube	--	3/8in	3/8in	--	90°	link
28606	Elbow 90 Fitting 3/8" MPT x 1/2" Tube	--	3/8in	1/2in	--	90°	link
33283	Elbow 90 Fitting 1/2" MPT x 3/8" Tube	--	1/2in	3/8in	--	90°	link
23688	Elbow 90 Fitting 1/2" MPT x 1/2" Tube	--	1/2in	1/2in	--	90°	link
30446	Elbow 90 Fitting 1/2" MPT x 3/4" Tube	--	1/2in	3/4in	--	90°	link
33287	Elbow 90 Fitting 3/4" MPT x 3/4" Tube	--	3/4in	3/4in	--	90°	link

COMPOSITE BRANCH TEE



PART #	DESCRIPTION	MALE PIPE THREAD	PUSH TO CONNECT	PUSH TO CONNECT	LINK
33291	Branch Tee Fitting .25in MNPT x .38in Tube x .25in Tube	1/4in	1/4in	3/8in	link

COMMON TEREX AIR FITTINGS



FEMALE BULKHEAD CONNECTOR

PART #	DESCRIPTION	FEMALE PIPE THREAD	PUSH TO CONNECT	LINK
33815	1/4" FPT X 1/4" Tube Bulkhead Fitting	1/4in	1/4in	link



FEMALE CONNECTOR

PART #	DESCRIPTION	FEMALE PIPE THREAD	PUSH TO CONNECT	LINK
28110	Connector Fitting 1/4" FPT x 1/8" Tube	1/4in	1/8in	link



MALE CONNECTOR WITH SPRING GUARD

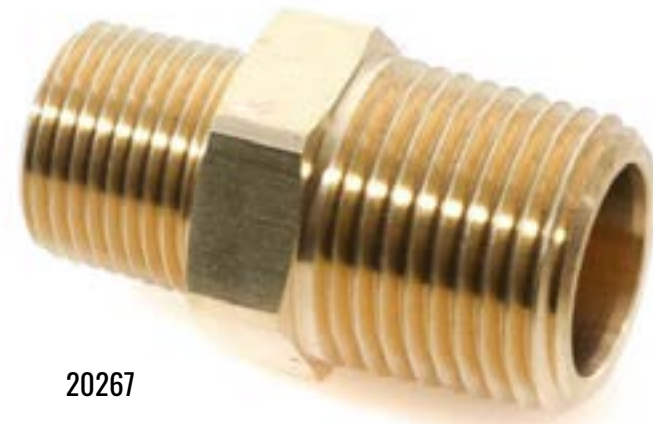
PART #	DESCRIPTION	FEMALE PIPE THREAD	PUSH TO CONNECT	LINK
17657	Male Connector with Spring Guard 3/8" MPT x 3/8" Tube	3/8in	3/8in	link
33402	Male Connector with Spring Guard 3/8" MPT x 1/2" Tube	3/8in	1/2in	link
33401	1/2in DOT Air Brake Hose End x 1/2in Male Pipe Connector with Spring Guard	1/2in	1/2in	link



BRASS REDUCER FITTINGS

PART #	DESCRIPTION	FEMALE PIPE THREAD	MALE PIPE THREAD	LINK
12982	Brass Reducer Bushing 1/4" MPT x 1/8" FPT	1/8in	1/4in	link
15156	Brass Reducer Bushing 1" MPT x 3/4" FPT	3/4in	1in	link

COMMON TEREX AIR FITTINGS



BRASS HEX NIPPLES

PART #	DESCRIPTION	MALE PIPE THREAD	LINK
13024	Brass Hex Nipple 3/8" x 1/4"	3/8" x 1/4"	link
20267	Reducer Hex Nipple 1/2" x 3/8"	1/2" x 3/8"	link



BRASS MALE BRANCH TEES

PART #	DESCRIPTION	FEMALE PIPE THREAD	MALE PIPE THREAD	LINK
13079	Brass Male Branch Tee 1/4"	1/4in	1/4in	link
34466	Brass Male Branch Tee 3/4"	3/4in	3/4in	link



PIPE NIPPLES

PART #	DESCRIPTION	MALE PIPE THREAD	LINK
30963	Pipe Nipple - Brass 1/8" x 1.5"	1/8" x 1.5" Brass	link
13026	Pipe Nipple - Steel 1/4" x Close	1/8" x Close Steel	link



PIPE SQUARE HEAD PLUGS

PART #	DESCRIPTION	MALE PIPE THREAD	LINK
12922	Square Head Plug - Brass 1/4"	1/4" Brass	link
12923	Square Head Plug - Brass 3/8"	3/8" Brass	link
12924	Square Head Plug - Brass 1/2"	1/2" Brass	link
29436	Square Head Plug - Steel 2"	2" Steel	link

AIR SYSTEMS



PART #	BRAND	DESCRIPTION	LINK
33474	Terex	Hanging Brake Treadle Valve Assembly Post 2012	link

PART #	BRAND	DESCRIPTION	LINK
33465	Terex	Hanging Brake Treadle Valve Post 2012	link



PART #	BRAND	DESCRIPTION	LINK
12994	Terex	Brake Light Switch	link

PART #	BRAND	DESCRIPTION	LINK
14249	Terex	Pressure Switch - Normally Closed Set at 4 PSI	link



PART #	BRAND	DESCRIPTION	LINK
24984	Terex	Grade 2 Standard Flanged Lock Nut	link

AIR SYSTEMS



PART #	BRAND	DESCRIPTION	LINK
19236	Terex	Grade 8 Hex Head Cap Screw Bolt	link

PART #	BRAND	DESCRIPTION	LINK
33499	Terex	Rear ABS Valve Modulator Package	link



PART #	BRAND	DESCRIPTION	LINK
33288	Terex	Connector Fitting 3/8" MPT x 3/8" Tube	link

PART #	BRAND	DESCRIPTION	LINK
14439	Terex	QR Valve Bracket	link
31306	Terex	QR R8 Valve Bracket	link

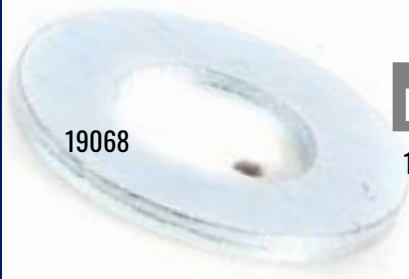


PART #	BRAND	DESCRIPTION	LINK
19348	Terex	5/16-18 Grade C Crown Nut	link



19348

AIR SYSTEMS



PART #	BRAND	DESCRIPTION	LINK
19068	Terex	5/16-18 SAE Zinc Plated Flat Washer	link



PART #	BRAND	DESCRIPTION	LINK
34171	Terex	Front ABS Relay Valve Assembly	link
34118	Terex	Front ABS Relay Valve	link



16802

PART #	BRAND	DESCRIPTION	LINK
16802	Terex	Relay Valve - Single Control Line With Integral Bracket	link



32966

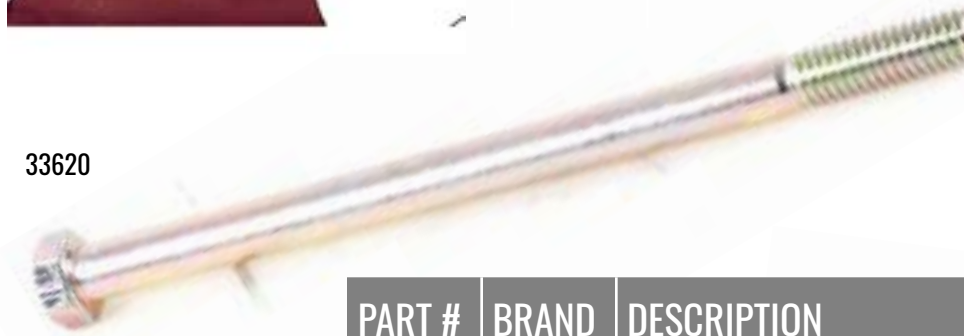
PART #	BRAND	DESCRIPTION	LINK
32966	Terex	IR-2 Inversion Relay Valve	link

AIR SYSTEMS



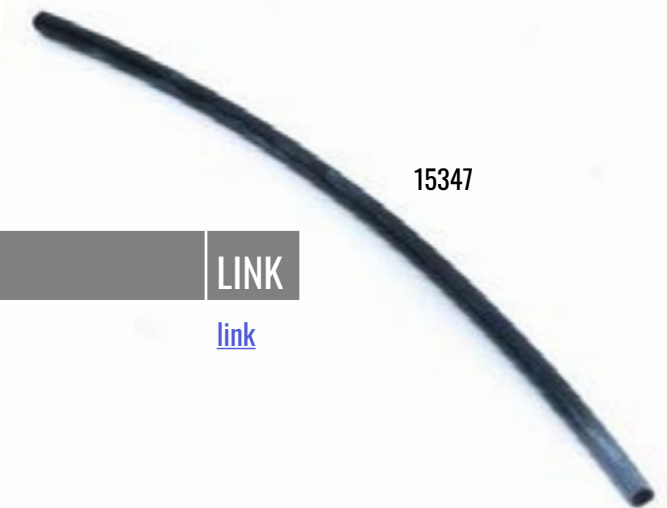
20682

PART #	BRAND	DESCRIPTION	LINK
20682	Terex	ABS Valve Mount Bracket with Bend	link



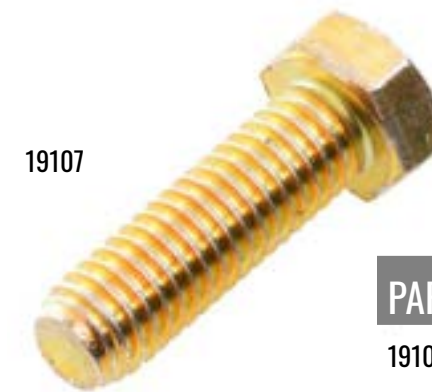
33620

PART #	BRAND	DESCRIPTION	LINK
33620	Terex	Hex Head Bolt - 3/8-16 x 6.5-Inch	link



15347

PART #	BRAND	DESCRIPTION	LINK
15347	Terex	1/4in Outer Diameter Black Nylon Tubing	link



19107

PART #	BRAND	DESCRIPTION	LINK
19107	Terex	3/8in x 1-1/4in Grade 8 Hex Head Cap Screw Bolt	link



19353

PART #	BRAND	DESCRIPTION	LINK
19353	Terex	3/8in-16 Zinc Plated Grade C Top Lock Nut	link

AIR SYSTEMS

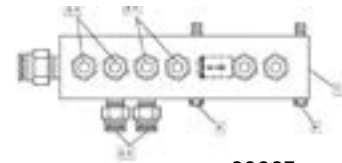
19045



PART #	BRAND	DESCRIPTION	LINK
19045	Terex	3/8in Grade 2 Flat Washer	link

PART #	BRAND	DESCRIPTION	LINK
--------	-------	-------------	------

28025 Terex Air Distribution Assembly Manifold [link](#)

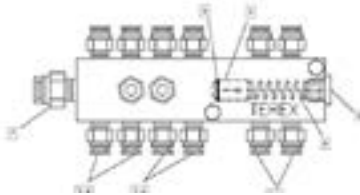


28025

28006

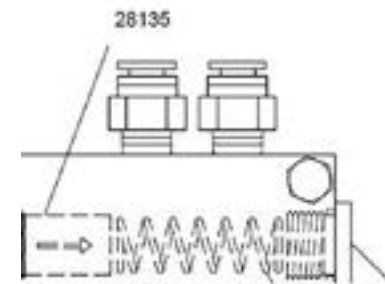


PART #	BRAND	DESCRIPTION	LINK
28006	Terex	Air Distribution Manifold	link

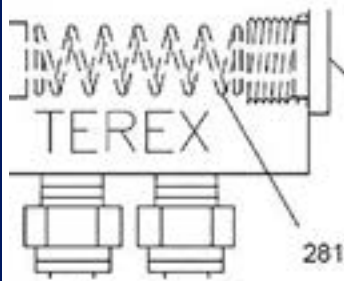


PART #	BRAND	DESCRIPTION	LINK
--------	-------	-------------	------

28135 Terex Check Valve [link](#)



28135

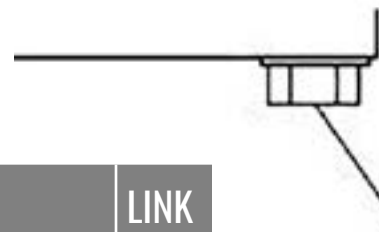


PART #	BRAND	DESCRIPTION	LINK
28136	Terex	Spring	link

28136

PART #	BRAND	DESCRIPTION	LINK
--------	-------	-------------	------

24425 Terex 14 x 2.5in Black Self-Tapping Screw [link](#)



24425

AIR SYSTEMS



28171

PART #	BRAND	DESCRIPTION	LINK
28171	Terex	70 Durometer Buna O-Ring	link

PART #	BRAND	DESCRIPTION	LINK
--------	-------	-------------	------

37234 Terex Air Tank 12x40 4282 ci [link](#)



37234

37233



PART #	BRAND	DESCRIPTION	LINK
37233	Terex	9.5in x 40in Air Tank	link

PART #	BRAND	DESCRIPTION	LINK
--------	-------	-------------	------

32971 Terex Air Tank Frame Bracket [link](#)



32971

33621



PART #	BRAND	DESCRIPTION	LINK
33621	Terex	3/8in-16 x 4.5in Grade 8 Hex Head Cap Screw Bolt	link

PART #	BRAND	DESCRIPTION	LINK
--------	-------	-------------	------

19116 Terex 1/2"-13 X 2" PF Grade 8 Hex Head Cap Screw Bolt [link](#)



19116

AIR SYSTEMS

PART #	BRAND	DESCRIPTION	LINK
--------	-------	-------------	------

28978	Terex	32 Port Air Manifold	link
-------	-------	----------------------	----------------------

PART #	BRAND	DESCRIPTION	LINK
--------	-------	-------------	------

14242	Terex	Normally Open Pressure Switch Set at 15 PSI	link
-------	-------	---	----------------------



14243

PART #	BRAND	DESCRIPTION	LINK
--------	-------	-------------	------

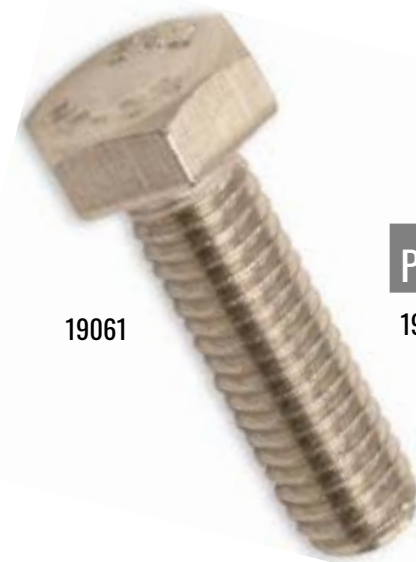
14243	Terex	Normally Closed 15 PSI Pressure Switch	link
-------	-------	--	----------------------

PART #	BRAND	DESCRIPTION	LINK
--------	-------	-------------	------

19053	Terex	1/4" SAE Zinc Plated Flat Washer	link
-------	-------	----------------------------------	----------------------



19053



19061

PART #	BRAND	DESCRIPTION	LINK
--------	-------	-------------	------

19061	Terex	1/4in-20 X 3/4in Stainless Steel Hex Head Cap Screw Bolt	link
-------	-------	--	----------------------

PART #	BRAND	DESCRIPTION	LINK
--------	-------	-------------	------

15348	Terex	3/8in OD Black Nylon Tubing	link
-------	-------	-----------------------------	----------------------



15348

AIR SYSTEMS

PART #	BRAND	DESCRIPTION	LINK
--------	-------	-------------	------

31354	Terex	Tag Down Kit Empty Option	link
-------	-------	---------------------------	----------------------

PART #	BRAND	DESCRIPTION	LINK
--------	-------	-------------	------

35916	Terex	22.5 PSI Preset Air Regulator	link
-------	-------	-------------------------------	----------------------



28684

PART #	BRAND	DESCRIPTION	LINK
--------	-------	-------------	------

28684	Terex	Green Tag Down Rocker Switch	link
-------	-------	------------------------------	----------------------

PART #	BRAND	DESCRIPTION	LINK
--------	-------	-------------	------

31355		Pneumatic Main Chute Silent Turbine Vibrator	link
-------	--	--	----------------------

31355



PART #	BRAND	DESCRIPTION	LINK
--------	-------	-------------	------

31359	Terex	30in Main Chute Vibrator Channel	link
-------	-------	----------------------------------	----------------------



31359

PART #	BRAND	DESCRIPTION	LINK
--------	-------	-------------	------

28080	Terex	Chute VibratorRocker Switch	link
-------	-------	-----------------------------	----------------------



28080

AIR SYSTEMS



PART #	BRAND	DESCRIPTION	LINK
--------	-------	-------------	------

19127	Terex	1/4in-20 x 1in Grade 8 Hex Head Cap Screw Bolt	link
-------	-------	--	----------------------

PART #	BRAND	DESCRIPTION	LINK
--------	-------	-------------	------

19352	Terex	1/4"-20 Zinc Plated Lock Nut	link
-------	-------	------------------------------	----------------------



PART #	BRAND	DESCRIPTION	LINK
--------	-------	-------------	------

19113	Terex	.5in x 1.5in Grade 8 Hex Head Cap Screw Bolt	link
-------	-------	--	----------------------

19093

PART #	BRAND	DESCRIPTION	LINK
--------	-------	-------------	------

19093	Terex	Structural Washer	link
-------	-------	-------------------	----------------------



PART #	BRAND	DESCRIPTION	LINK
--------	-------	-------------	------

16797	Terex	Brake SR1 Inversion Air Valve	link
14310	Terex	Brake SR1 Inversion Air Valve	link

28073

PART #	BRAND	DESCRIPTION	LINK
--------	-------	-------------	------

28073	Terex	Amber Rocker Air Switch - Inter Axle Engage	link
-------	-------	---	----------------------



AIR SYSTEMS



PART #	BRAND	DESCRIPTION	LINK
--------	-------	-------------	------

28074	Terex	Amber Rocker Air Switch - Front Axle Engage	link
-------	-------	---	----------------------

28075

PART #	BRAND	DESCRIPTION	LINK
--------	-------	-------------	------

28075	Terex	Amber Rocker Air Switch - Transfer Case High-Low	link
-------	-------	--	----------------------



PART #	BRAND	DESCRIPTION	LINK
--------	-------	-------------	------

28078	Terex	Red Rocker Air Switch For All Wheel Brake	link
-------	-------	---	----------------------

28081

PART #	BRAND	DESCRIPTION	LINK
--------	-------	-------------	------

28081	Terex	Water Tank Rocker Air Switch	link
-------	-------	------------------------------	----------------------



PART #	BRAND	DESCRIPTION	LINK
--------	-------	-------------	------

28085	Terex	Green Rocker Air Switch - Tag Axle 1 Lift	link
-------	-------	---	----------------------

PART #	BRAND	DESCRIPTION	LINK
--------	-------	-------------	------

28086	Terex	Green Rocker Air Switch - Tag Axle 2 Lift	link
-------	-------	---	----------------------



28086

AIR SYSTEMS

PART #	BRAND	DESCRIPTION	LINK
28087	Terex	Air Regulator With Gauge	link
825102	Indiana Phoenix	Air Regulator With Gauge	link

PART #	BRAND	DESCRIPTION	LINK
28088	Terex	Green Rocker Air Switch - Push Axle 1 Lift	link

PART #	BRAND	DESCRIPTION	LINK
28088	Terex	Dual Air Gauge	link

PART #	BRAND	DESCRIPTION	LINK
30346	Terex	Air Piloted Add Water Valve - 1 inch NPT Female	link

PART #	BRAND	DESCRIPTION	LINK
20073	Terex	Air Horn Valve	link
22999	Terex	Air Horn Valve	link
74160	Indiana Phoenix	Air Horn Valve	link

PART #	BRAND	DESCRIPTION	LINK
33266	Terex	9.5in Air Tank Bracket	link

AIR SYSTEMS

PART #	BRAND	DESCRIPTION	LINK
16940	Terex	Air Dryer Assembly	link
45810	Indiana Phoenix	Air Dryer Assembly	link
2083910	Oshkosh	Air Dryer Assembly	link

PART #	BRAND	DESCRIPTION	LINK
12403	Terex	Turbo 2000 Air Dryer Check Valve Kit	link
1CH21	Oshkosh	Turbo 2000 Air Dryer Check Valve Kit	link

PART #	BRAND	DESCRIPTION	LINK
12412	Terex	Turbo 2000 Air Dryer Heater Kit	link

PART #	BRAND	DESCRIPTION	LINK
33814	Terex	DOT Air Drain Cock Valve	link
1212FX	Oshkosh	DOT Air Drain Cock Valve	link

PART #	BRAND	DESCRIPTION	LINK
31281	Terex	LACM Air Relay Valve-Axle Up	link

PART #	BRAND	DESCRIPTION	LINK
32963	Terex	9.5in x 40in Air Tank	link

AIR SYSTEMS



PART #	BRAND	DESCRIPTION	LINK
35536	Terex	2005 and Newer Hopper Air Cylinder	link
24061	Terex	2005 and Newer Hopper Air Cylinder	link
A24061	Indiana Phoenix	2005 and Newer Hopper Air Cylinder	link

PART #	BRAND	DESCRIPTION	LINK
33813	Terex	Flat Washer	link



PART #	BRAND	DESCRIPTION	LINK
33280	Terex	MY12 Air Tank Assembly	link

PART #	BRAND	DESCRIPTION	LINK
30028	Terex	Rapid Dump Valve for Air Suspensions	link



PART #	BRAND	DESCRIPTION	LINK
11491	Terex	Dual Air Pressure Gauge for Pusher and Tag Axles	link
71010	Indiana Phoenix	Dual Air Pressure Gauge for Pusher and Tag Axles	link

PART #	BRAND	DESCRIPTION	LINK
11551	Terex	C-MA Air Throttle Cylinder	link
117105A	Oshkosh	Air Throttle Cylinder	link



AIR SYSTEMS



PART #	BRAND	DESCRIPTION	LINK
11792	Terex	90 Degree Air Hopper Cylinder Fitting	link

PART #	BRAND	DESCRIPTION	LINK
12037	Terex	1 Hole Air Drain Valve Bracket	link



PART #	BRAND	DESCRIPTION	LINK
12303	Terex	Air Dryer Purge Tank	link
6MB547	Oshkosh	Air Dryer Purge Tank	link

PART #	BRAND	DESCRIPTION	LINK
12604	Terex	Turbo 2000 Air Dryer Pedestal Mounting Bracket	link



PART #	BRAND	DESCRIPTION	LINK
14661	Terex	Airride Suspension Height Control Leveling Valve	link
13641	Indiana Phoenix	Airride Suspension Height Control Leveling Valve	link
8HS899	Oshkosh	Airride Suspension Height Control Leveling Valve	link

PART #	BRAND	DESCRIPTION	LINK
14658	Terex	Air Pressure Protection Valve	link



AIR SYSTEMS



12562

PART #	BRAND	DESCRIPTION	LINK
12562	Terex	Air Dryer AD9 Wiring Harness Kit	link

PART #	BRAND	DESCRIPTION	LINK
13572	Terex	Air Regulator Nut for 13578	link



13572



13578

PART #	BRAND	DESCRIPTION	LINK
13578	Terex	0-125 PSI Miniature Air Regulator	link
22130	Indiana Phoenix	0-125 PSI Miniature Air Regulator for Pusher Axles	link

PART #	BRAND	DESCRIPTION	LINK
13779	Terex	150 PSI Air Dryer Safety Relief Valve	link
2AA22	Oshkosh	150 PSI Air Dryer Safety Relief Valve	link



13779



14207

PART #	BRAND	DESCRIPTION	LINK
14207	Terex	Air Tank Cab and Radiator Isolator Bushing	link
20230	Indiana Phoenix	Air Tank Cab and Radiator Isolator Bushing	link

PART #	BRAND	DESCRIPTION	LINK
14277	Terex	NC Single Post Air Pressure Switch - 60 PSI	link
70350	Indiana Phoenix	NC Single Post Air Pressure Switch - 60 PSI	link



14277

AIR SYSTEMS



14448

PART #	BRAND	DESCRIPTION	LINK
14448	Terex	1/2in Aluminum Air Manifold	link

PART #	BRAND	DESCRIPTION	LINK
14451	Terex	Three Chamber Air Tank	link
41270	Indiana Phoenix	Three Chamber Air Tank	link



14451



14453

PART #	BRAND	DESCRIPTION	LINK
14453	Terex	Air Tank Bracket	link

PART #	BRAND	DESCRIPTION	LINK
14456	Terex	4 Hole Air Drain Valve Bracket	link



14456



15307

PART #	BRAND	DESCRIPTION	LINK
15307	Terex	Air Ball Valve - .25in NPT	link
32940	Indiana Phoenix	Air Ball Valve - .25in NPT	link

PART #	BRAND	DESCRIPTION	LINK
15350	Terex	3/4in Outer Diameter Air Tubing	link



15350

AIR SYSTEMS

38077

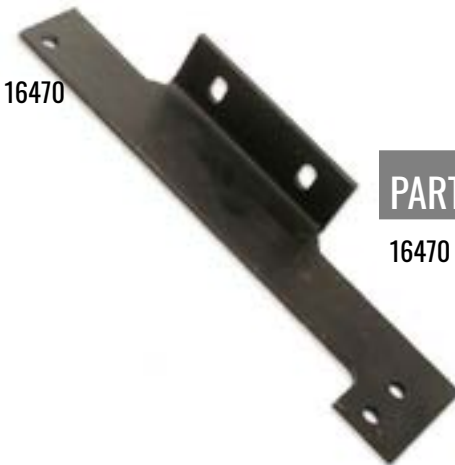


PART #	BRAND	DESCRIPTION	LINK
38077	Terex	12VDC Air Solenoid Manifold	link

PART #	BRAND	DESCRIPTION	LINK
35616	Terex	Braided Air Hose Assembly	link



16470



PART #	BRAND	DESCRIPTION	LINK
16470	Terex	5 Axle Curbside Air Tank Bracket	link

PART #	BRAND	DESCRIPTION	LINK
16787	Terex	Air Check Valve - .25in NPT	link
41740	Indiana Phoenix	Air Check Valve - .25in NPT	link



16788



PART #	BRAND	DESCRIPTION	LINK
16788	Terex	1/2 Inch NPT Air Tank Check Valve	link

PART #	BRAND	DESCRIPTION	LINK
16794	Terex	Isolation Air Valve	link



AIR SYSTEMS

16800



PART #	BRAND	DESCRIPTION	LINK
16800	Terex	Double Check Air Valve	link

PART #	BRAND	DESCRIPTION	LINK
--------	-------	-------------	------

12318 Terex Bleed Valve Kit for Turbo 2000 Air Dryers [link](#)

6MB550 Oshkosh Bleed Valve Kit for Turbo 2000 Air Dryer [link](#)



PART #	BRAND	DESCRIPTION	LINK
--------	-------	-------------	------

22997 Terex Air Horn Kit With Horn And Valve [link](#)

71430 Indiana Phoenix Air Horn Kit With Horn And Valve [link](#)

1720340 Oshkosh Air Horn Kit With Horn And Valve [link](#)

22997LV Terex Dual Air Horn Chrome Less Valve [link](#)

PART #	BRAND	DESCRIPTION	LINK
--------	-------	-------------	------

11490 Terex Single Air Pressure Gauge with Lamp [link](#)

71000 Indiana Phoenix Single Air Pressure Gauge with Lamp [link](#)



20055



PART #	BRAND	DESCRIPTION	LINK
20055	Terex	Air Relay Valve - Axle Up	link

PART #	BRAND	DESCRIPTION	LINK
--------	-------	-------------	------

20246 Terex 14in x 24in Accessory Air Tank - Fat Boy [link](#)



AIR SYSTEMS



33525

PART #	BRAND	DESCRIPTION	LINK
33525	Terex	Cab Air Horn MY13	link



33526

PART #	BRAND	DESCRIPTION	LINK
33526	Terex	Cab Air Horn Valve for 33525	link



32278

PART #	BRAND	DESCRIPTION	LINK
32278	Terex	Air Dryer Assembly - Turbo 2000 Filtration Plus	link
300068008	Kimble	Brakemaster Turbo 2000 Air Dryer Assembly with Filtration	link



33267

PART #	BRAND	DESCRIPTION	LINK
33267	Terex	Air Tank Bracket - 12in MY12	link



32962

PART #	BRAND	DESCRIPTION	LINK
32962	Terex	Air Tank 12x40 4282 ci	link



33486

PART #	BRAND	DESCRIPTION	LINK
33486	Terex	Axle Air Valve Assembly	link

AIR SYSTEMS



20694

PART #	BRAND	DESCRIPTION	LINK
20694	Terex	30 Inch Muffler Rack Mounted Air Wet Tank	link



22341

PART #	BRAND	DESCRIPTION	LINK
22341	Terex	Height Control Air Valve	link



22534

PART #	BRAND	DESCRIPTION	LINK
22534	Terex	Air Throttle Pedal	link



22854

PART #	BRAND	DESCRIPTION	LINK
22854	Terex	5 Axle Roadside Air Tank Bracket	link



12453

PART #	BRAND	DESCRIPTION	LINK
12453	Terex	12VDC Low Air Warning Buzzer	link



21324

PART #	BRAND	DESCRIPTION	LINK
21324	Terex	Air Regulator - 1/4in Set at 90 PSI	link

AIR SYSTEMS



23000

PART #	BRAND	DESCRIPTION	LINK
23000	Terex	Gasket- Air Horn To Cab	link

PART #	BRAND	DESCRIPTION	LINK
23043	Terex	Flip Hopper Air Cylinder with 3in Bore	link



23043



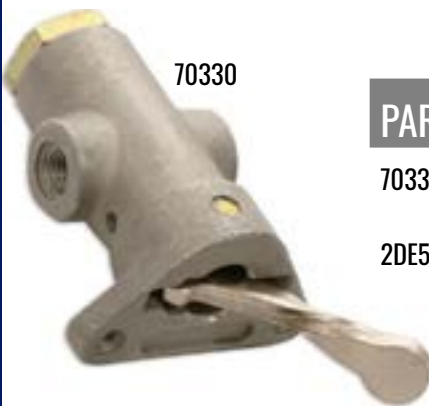
19412

PART #	BRAND	DESCRIPTION	LINK
19412	Terex	Turbo 2000 Air Dryer Turbo Cutoff Valve Kit	link
4HR266	Oshkosh	Turbo 2000 Air Dryer Turbo Cutoff Valve Kit	link

PART #	BRAND	DESCRIPTION	LINK
23315		Air-Ride Leveling Valve Bracket	link



23315



70330

PART #	BRAND	DESCRIPTION	LINK
70330	Terex	TW1 Toggle Valve	link
2DE514	Oshkosh	TW1 Toggle Valve	link

PART #	BRAND	DESCRIPTION	LINK
20240	Indiana Phoenix	PP1 40psi Push/Pull Dash Control Parking Valve	link



20240

AIR SYSTEMS



42750

PART #	BRAND	DESCRIPTION	LINK
42750	Indiana Phoenix	Cruise Control Pressure Switch	link

PART #	BRAND	DESCRIPTION	LINK
215123	Indiana Phoenix	Port On/Off Air Toggle Switch	link



215123



70630

PART #	BRAND	DESCRIPTION	LINK
70630	Indiana Phoenix	Neutral Pressure Switch Normally Open	link

PART #	BRAND	DESCRIPTION	LINK
70710	Indiana Phoenix	150PSI Air Valve	link



70710



70640

PART #	BRAND	DESCRIPTION	LINK
70640	Indiana Phoenix	Pressure Switch Normally Closed	link

PART #	BRAND	DESCRIPTION	LINK
831100	Indiana Phoenix	Pressure Switch Manifold Block	link

AIR SYSTEMS



PART #	BRAND	DESCRIPTION	LINK
59440	Indiana Phoenix	ABS Modulator Valve	link

59510



PART #	BRAND	DESCRIPTION	LINK
59510	Indiana Phoenix	Joystick Drum Stop Switch	link

13640



PART #	BRAND	DESCRIPTION	LINK
13640	Indiana Phoenix	Airtide Leveling Valve with Linkage	link
6HA964	Oshkosh	Airtide Leveling Valve with Linkage	link

12710



PART #	BRAND	DESCRIPTION	LINK
12710	Indiana Phoenix	Axle Electric Solenoid Valve	link



41290

PART #	BRAND	DESCRIPTION	LINK
41290	Indiana Phoenix	Piston Operated Relay Valve	link
52932CX	Oshkosh	Piston Operated Relay Valve	link



11950

PART #	BRAND	DESCRIPTION	LINK
11950	Indiana Phoenix	Pusher Axle Electric Over Air Valve	link

AIR SYSTEMS

PART #	BRAND	DESCRIPTION	LINK
41320	Indiana Phoenix	Double Check Air Valve	link



70470

PART #	BRAND	DESCRIPTION	LINK
70470	Indiana Phoenix	Pressure Protection Air Valve	link

70790



PART #	BRAND	DESCRIPTION	LINK
70790	Indiana Phoenix	Quick Exhaust Valve for Air Cylinders	link



11960

PART #	BRAND	DESCRIPTION	LINK
11960	Indiana Phoenix	Wet Tank - Old Style Ears Down	link

59430



PART #	BRAND	DESCRIPTION	LINK
59430	Indiana Phoenix	Double Reverse ABS Check Valve	link



822001

PART #	BRAND	DESCRIPTION	LINK
822001	Indiana Phoenix	Height Control Leveling Valve	link
7HB45	Oshkosh	Height Control Leveling Valve	link

42940



PART #	BRAND	DESCRIPTION	LINK
42940	Indiana Phoenix	Air Safety Pressure Relief Valve	link

AIR SYSTEMS

54140



PART #	BRAND	DESCRIPTION	LINK
54140	Indiana Phoenix	Adjustable Air Level Valve Rod Linkage	link

44485



PART #	BRAND	DESCRIPTION	LINK
44485	Indiana Phoenix	Turbo 2000 Air Dryer Desiccant Filter Cartridge	link
6MB552	Oshkosh	Air Dryer Filter Cartridge	link

71640



PART #	BRAND	DESCRIPTION	LINK
71640	Indiana Phoenix	Dash Panel Air Gauge For Tag or Pusher	link

PART #	BRAND	DESCRIPTION	LINK
300068005	Kimble	Air Dryer Assembly	link
109991X	Oshkosh	Air Dryer Assembly	link

300068005



200061401

PART #	BRAND	DESCRIPTION	LINK
200061401	Kimble	Pressure Protection Valve (PR-4)	link

200103012



PART #	BRAND	DESCRIPTION	LINK
200103012	Kimble	Double Solenoid Pneumatic Valve - 2-POS/4-WAY1.40	link

AIR SYSTEMS

5JA576



PART #	BRAND	DESCRIPTION	LINK
5JA576	Oshkosh	Brake Treadle Valve Only - E6	link

2HB911



PART #	BRAND	DESCRIPTION	LINK
2HB911	Oshkosh	Hopper Up and Parking Brake Valve	link

6HB229



PART #	BRAND	DESCRIPTION	LINK
6HB229	Oshkosh	Push-Pull Dash Control Parking Break Valve	link

1156737



PART #	BRAND	DESCRIPTION	LINK
1156737	Oshkosh	Adjustable Air Regulator	link

18180FX



PART #	BRAND	DESCRIPTION	LINK
18180FX	Oshkosh	Single Check Valve 1/2	link

3236625



PART #	BRAND	DESCRIPTION	LINK
3236625	Oshkosh	Air Reservoir Wet Tank	link
3785573	Oshkosh	Air Reservoir Wet Tank	link

AIR SYSTEMS

PART #	BRAND	DESCRIPTION	LINK
--------	-------	-------------	------

1134311	Oshkosh	ABS Valve Package	link
---------	---------	-------------------	----------------------



PART #	BRAND	DESCRIPTION	LINK
--------	-------	-------------	------

5HE597	Oshkosh	ABS Relay Valve	link
--------	---------	-----------------	----------------------

PART #	BRAND	DESCRIPTION	LINK
--------	-------	-------------	------

17739FX	Oshkosh	PTO Driveline Assembly	link
---------	---------	------------------------	----------------------



PART #	BRAND	DESCRIPTION	LINK
--------	-------	-------------	------

1139086	Oshkosh	Pressure Protection Air Valve	link
---------	---------	-------------------------------	----------------------

6HA963	Oshkosh	Pressure Protection Air Valve	link
--------	---------	-------------------------------	----------------------

PART #	BRAND	DESCRIPTION	LINK
--------	-------	-------------	------

65869BX	Oshkosh	Ratio Valve	link
---------	---------	-------------	----------------------



PART #	BRAND	DESCRIPTION	LINK
--------	-------	-------------	------

2052080	Oshkosh	Air Reservoir - Left Hand Tank	link
---------	---------	--------------------------------	----------------------

3573647	Oshkosh	Air Reservoir - Left Hand Tank	link
---------	---------	--------------------------------	----------------------

AIR SYSTEMS



PART #	BRAND	DESCRIPTION	LINK
A00A287	Oshkosh	Quick Release Valve with .5in NPT Supply Port	link



PART #	BRAND	DESCRIPTION	LINK
--------	-------	-------------	------

2257FX	Oshkosh	Double Check Valve w/Leg	link
--------	---------	--------------------------	----------------------



PART #	BRAND	DESCRIPTION	LINK
--------	-------	-------------	------

1226480	Oshkosh	Leveling Valve without Linkage	link
---------	---------	--------------------------------	----------------------



PART #	BRAND	DESCRIPTION	LINK
--------	-------	-------------	------

1235206	Oshkosh	Leveling Valve Linkage Kit	link
---------	---------	----------------------------	----------------------



PART #	BRAND	DESCRIPTION	LINK
--------	-------	-------------	------

SRK205	Oshkosh	Height Control Valve Linkage Kit	link
--------	---------	----------------------------------	----------------------

PART #	BRAND	DESCRIPTION	LINK
--------	-------	-------------	------

2053410	Oshkosh	Air Reservoir - Right Hand Tank	link
---------	---------	---------------------------------	----------------------

3573648	Oshkosh	Air Reservoir - Right Hand Tank	link
---------	---------	---------------------------------	----------------------



PART #	BRAND	DESCRIPTION	LINK
--------	-------	-------------	------

52935BX	Oshkosh	Air Reservoir	link
---------	---------	---------------	----------------------

AIR SYSTEMS

8HR493



PART #	BRAND	DESCRIPTION	LINK
8HR493	Oshkosh	Three-Way Water Tank Air Valve	link

PART #	BRAND	DESCRIPTION	LINK
3053661	Oshkosh	Air Cylinder for Power Chute Lock	link



3053661

3808452



PART #	BRAND	DESCRIPTION	LINK
3808452	Oshkosh	Pressure Switch - Air Hopper	link

PART #	BRAND	DESCRIPTION	LINK
3463578	Oshkosh	Air Regulator with .25in Ports for Water Tank	link



3463578

1507712



PART #	BRAND	DESCRIPTION	LINK
1507712	Oshkosh	1/2in Bronze Air Safety Relief Valve - 60PSI	link

PART #	BRAND	DESCRIPTION	LINK
3397098	Oshkosh	Chute Lock Electric Over Air Valve Assembly	link



3397098

AIR SYSTEMS

2171690



PART #	BRAND	DESCRIPTION	LINK
2171690	Oshkosh	.25in Water Tank Air Shutoff Ball Valve	link

PART #	BRAND	DESCRIPTION	LINK
1918670	Oshkosh	Air Toggle Valve	link



1918670

1418883



PART #	BRAND	DESCRIPTION	LINK
1418883	Oshkosh	Dual Air Pressure Gauge	link

PART #	BRAND	DESCRIPTION	LINK
3791260	Oshkosh	4-Way Air Solenoid Valve - Remote Pilot	link



3791260

2HE758



PART #	BRAND	DESCRIPTION	LINK
2HE758	Oshkosh	Air Dryer Cartridge for AD-9 Dryers	link

3HA735

PART #	BRAND	DESCRIPTION	LINK
3HA735	Oshkosh	Air Dryer Cartridge Kit	link



AIR SYSTEMS

PART #	BRAND	DESCRIPTION	LINK
1636060	Oshkosh	Pusher Tag Axle Air Regulator with Nut	link



1636060

5KK621



PART #	BRAND	DESCRIPTION	LINK
5KK621	Oshkosh	Gauge Assy - Tachometer and Dual Air	link

1398110



PART #	BRAND	DESCRIPTION	LINK
1398110	Oshkosh	Air Compressor - No Core	link



EE101293

PART #	BRAND	DESCRIPTION	LINK
EE101293	Oshkosh	Air Safety Protection Valve	link

PART #	BRAND	DESCRIPTION	LINK
2AN413	Oshkosh	Non Adjustable Transmission Air Regulator Valve	link

2AN413



9155GX



PART #	BRAND	DESCRIPTION	LINK
9155GX	Oshkosh	D2 High Temp Air Governor	link

AIR SYSTEMS

4106811



PART #	BRAND	DESCRIPTION	LINK
4106811	Oshkosh	4 Way Push Pull Air Valve For Chute Lock Cylinder	link

2652FX1



PART #	BRAND	DESCRIPTION	LINK
2652FX1	Oshkosh	Air Horn Valve HV3 - Metal	link



19606FX

PART #	BRAND	DESCRIPTION	LINK
19606FX	Oshkosh	1/4in NPT Air Pressure Protection Valve	link

PART #	BRAND	DESCRIPTION	LINK
2988F	Oshkosh	Air Hose Support Spring	link

2988F



1389350



PART #	BRAND	DESCRIPTION	LINK
1389350	Oshkosh	Air Relay Valve	link

PART #	BRAND	DESCRIPTION	LINK
A000G129	Oshkosh	Hopper Electric Air Valve	link

A000G129



PART #	BRAND	DESCRIPTION	LINK
2207610	Oshkosh	Electric Over Air Valve	link



2207610



3253314

PART #	BRAND	DESCRIPTION	LINK
3253314	Oshkosh	Electric Over Air Valve Assembly-Reverse Tag Lift	link

PART #	BRAND	DESCRIPTION	LINK
3791266	Oshkosh	4-Way Air Solenoid Valve - Remote Pilot	link



3791266



2196040

PART #	BRAND	DESCRIPTION	LINK
2196040	Oshkosh	Air Hopper Cylinder	link

PART #	BRAND	DESCRIPTION	LINK
1CH16	Oshkosh	AC Air Dryer Unloader Valve Service Kit	link

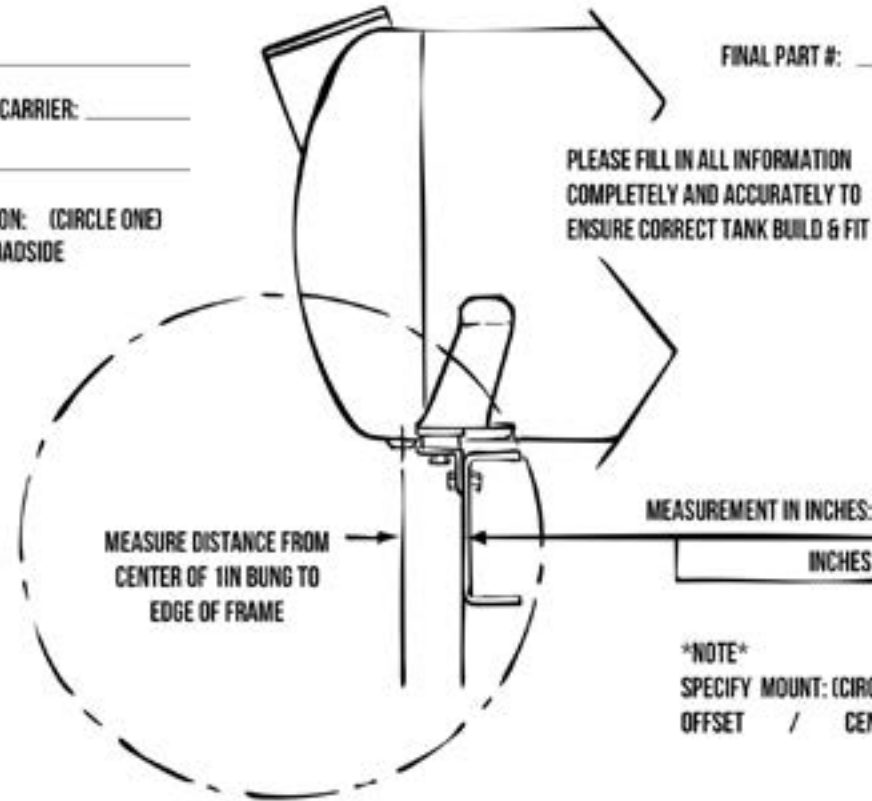


1CH16

**PAGE
INTENTIONALLY
LEFT
BLANK**

AFTERMARKET WATER TANK SPECIFICATION SHEET

TRUCK #: _____
 NUMBER OF CHUTES IN CARRIER: _____
 NUMBER OF AXLES: _____
 CHUTE CARRIER LOCATION: (CIRCLE ONE)
 CURBSIDE / ROADSIDE



FINAL PART #: _____

NOTE
 SPECIFY MOUNT: (CIRCLE ONE)
 OFFSET / CENTERED

DETAILS (CIRCLE ONE)

TANK FILL NECK: ROADSIDE / CURBSIDE / DUAL FILL
 SIGHT GAUGE BRACKET: ROADSIDE / CURBSIDE
 TANK SIZE: 125 GALLON / 150 GALLON / 200 GALLON / 250 GALLON
 TANK HANDLES: ONE HANDLE / TWO HANDLES / NO HANDLES
 TANK HANDLE LOCATION 1: ON TANK SIDE / ON TANK ENDCAP -AND- CURBSIDE / ROADSIDE
 TANK HANDLE LOCATION 2: ON TANK SIDE / ON TANK ENDCAP -AND- CURBSIDE / ROADSIDE
 TANK MATERIAL: STEEL / ALUMINUM

NEW UNDERSIDE PLUMBING ASSEMBLY:

YES / NO
 HEATED / STANDARD

TANK FEET MOUNTING TYPE:

NEW STYLE (OUTSIDE OF FRAME)
 OLD STYLE (ON TOP OF FRAME)

REFERENCE

CUSTOMER NAME: _____
 STREET: _____ CITY: _____ STATE: _____ ZIP: _____
 QUOTE NUMBER: _____ PO NUMBER: _____ SO NUMBER: _____

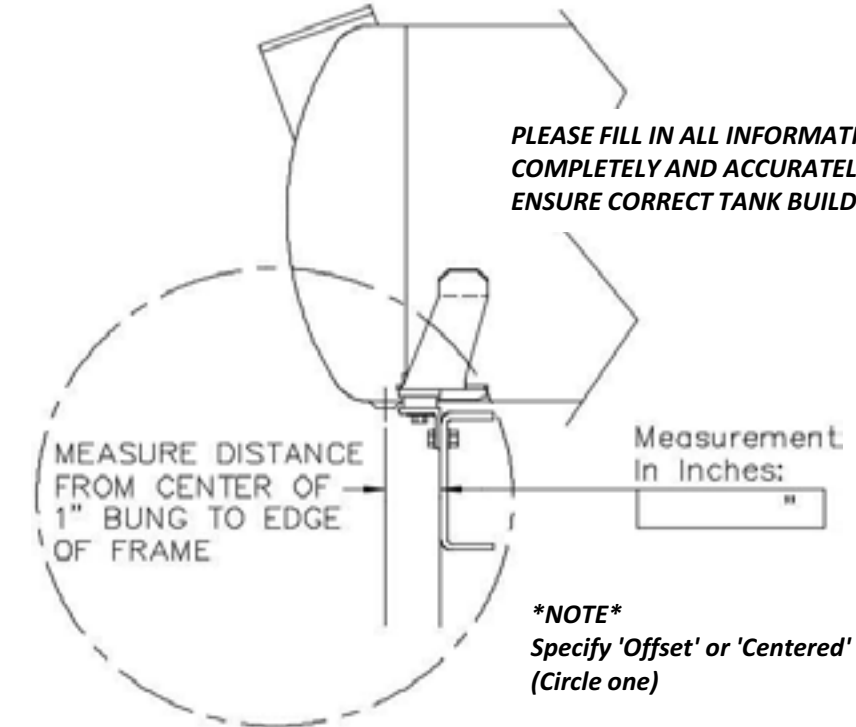
CALL (800) 881-1843
 FAX (586) 601-1904

WWW.MPPARTS.COM

1843 TUCKER STREET
 ROCK HILL, SC 29730



AFTERMARKET WATER TANK SPECIFICATION SHEET



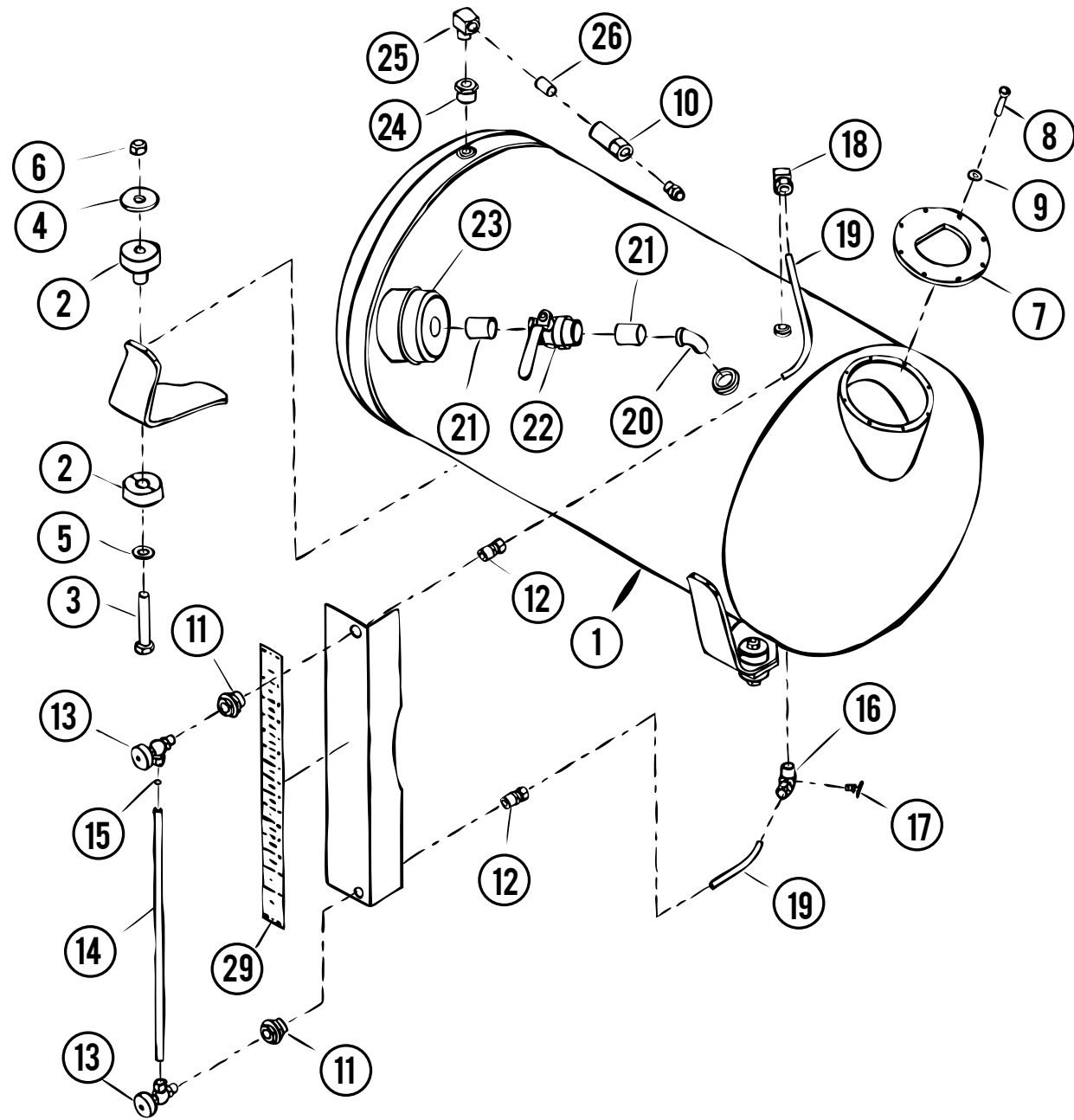
PLEASE FILL IN ALL INFORMATION
 COMPLETELY AND ACCURATELY TO
 ENSURE CORRECT TANK BUILD & FIT.

NOTE
 Specify 'Offset' or 'Centered' mount
 (Circle one)

TRUCK #: _____ NUMBER OF AXLES: _____
 NUMBER OF CHUTES IN CARRIER: _____ CHUTE CARRIER LOCATION: CBSD / RSDS
(circle one)
 TANK FILL NECK:
 ROADSIDE CURBSIDE DUAL FILL
 SIGHT GAUGE BRACKET:
 ROADSIDE CURBSIDE
 NEW UNDERSIDE PLUMBING ASSEMBLY:
 YES NO HEATED STD
 TANK MOUNTING FEET TYPE:
 NEW STYLE (OUTSIDE OF FRAME)
 OLD STYLE (ON TOP OF FRAME)
 TANK SIZE:
 125 GAL. 150 GAL. 200 GAL. 250 GAL.
 TANK HANDLES:
 ONE HANDLE TWO HANDLES NO HANDLES
 TANK HANDLE LOCATION 1:
 ON TANK SIDE ON TANK ENDCAP CBSD / RSDS
(circle one)
 TANK HANDLE LOCATION 2:
 ON TANK SIDE ON TANK ENDCAP CBSD / RSDS
 TANK MATERIAL:
 STEEL ALUMINUM

CUSTOMER NAME: _____
 SHIP TO: _____
 CITY: _____ STATE: _____ ZIP: _____
 CUSTOMER PO #: _____ TEREX ORDER #: _____

SEND COMPLETED FORM TO: FAX: (586) 601-1904 or Email your rep



NUMBER	BRAND	PART #	DESCRIPTION	LINK
1	Terex	30973	125 Gallon Aluminum Water Tank	link
1	Terex	12702	Single Fill 150 Gallon Aluminum Water Tank	link
1	Terex	12707	Dual Fill 150 Gallon Aluminum Water Tank	link
1	Terex	12709	Single Fill 200 Gallon Aluminum Water Tank	link
1	Terex	12710	Dual Fill 200 Gallon Aluminum Water Tank	link
1	Terex	12711	Single Fill 250 Gallon Aluminum Water Tank	link
1	Terex	12712	Dual Fill 250 Gallon Aluminum Water Tank	link



19492



19163

#	BRAND	PART #	DESCRIPTION	LINK
2	Terex	19492	Isolator Bushing For Radiators and Water Tanks	link

#	BRAND	PART #	DESCRIPTION	LINK
3	Terex	19163	5/8in-11 x 4in Grade 8 Hex Head Cap Screw Bolt	link



23898



19086

#	BRAND	PART #	DESCRIPTION	LINK
4	Terex	23898	.6875 X 2.5 X .1875 Flat Washer	link

#	BRAND	PART #	DESCRIPTION	LINK
5	Terex	19086	5/8in ASTM Structural Washer	link



19351

#	BRAND	PART #	DESCRIPTION	LINK
6	Terex	19351	5/8in Grade C Top Lock Nut	link



19175

#	BRAND	PART #	DESCRIPTION	LINK
8	Terex	19175	1/4in-20 x 1.5in Grade 8 Hex Head Cap Screw Bolt	link



19053

#	BRAND	PART #	DESCRIPTION	LINK
9	Terex	19053	.25in SAE Zinc Plated Flat Washer	link



16787

#	BRAND	PART #	DESCRIPTION	LINK
10	Terex	16787	.25in NPT Air Check Valve	link



12231

#	BRAND	PART #	DESCRIPTION	LINK
11	Terex	12231	.5in FPT Bulkhead Fitting	link



11786

#	BRAND	PART #	DESCRIPTION	LINK
12	Terex	11786	Water Gauge Fitting Connector	link



13209

#	BRAND	PART #	DESCRIPTION	LINK
13	Terex	13209	.5in Water Gauge Valve Set	link



31457

#	BRAND	PART #	DESCRIPTION	LINK
14	Terex	31457	72in Sight Gauge Tube with Red Line	link



40612



11731

#	BRAND	PART #	DESCRIPTION	LINK
15	Terex	40612	Blue Floating Sight Gauge Ball	link

#	BRAND	PART #	DESCRIPTION	LINK
17	Terex	11731	.125in External Seat Drain Petcock	link



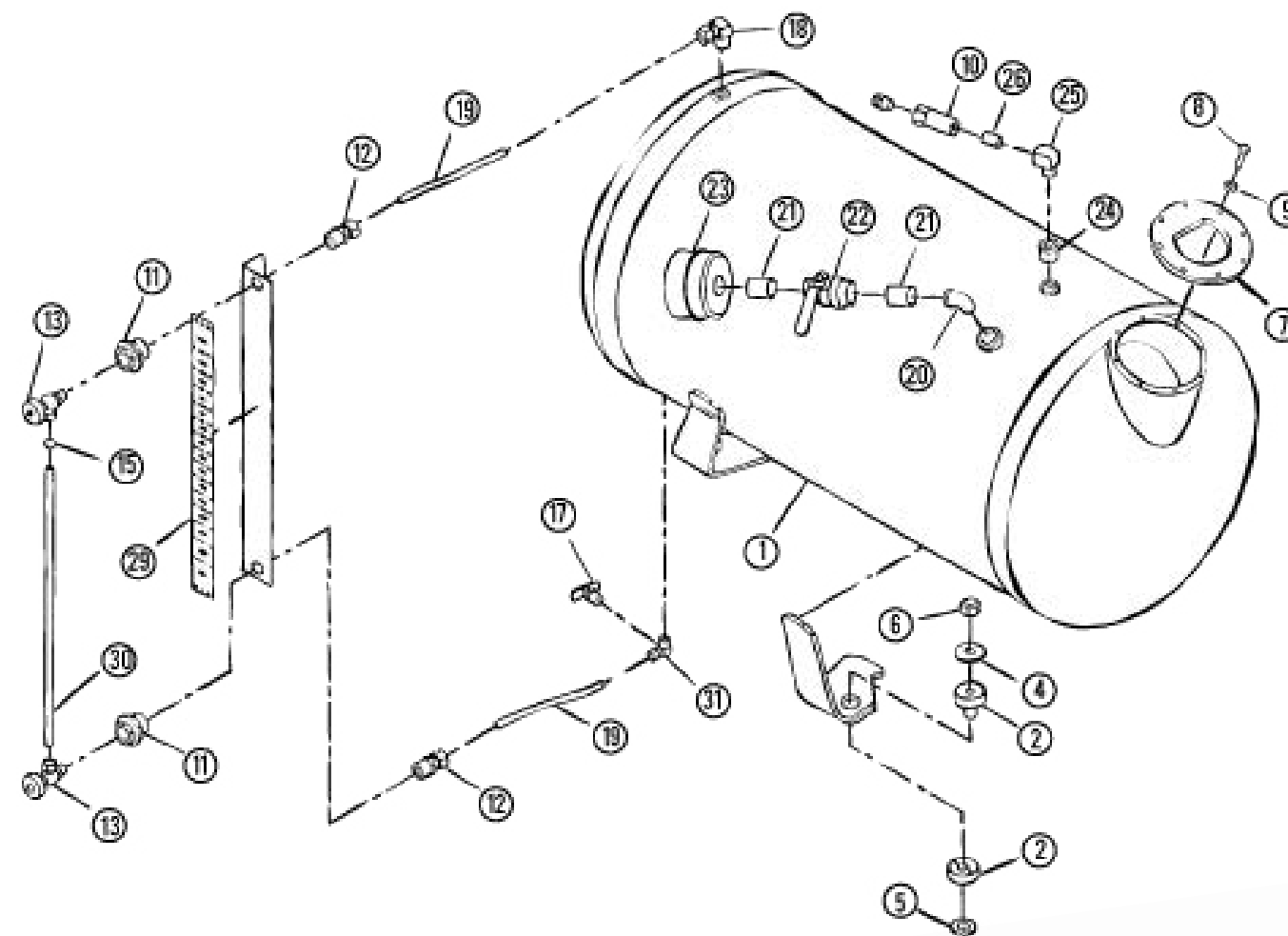
11801



15349

#	BRAND	PART #	DESCRIPTION	LINK
18	Terex	11801	Brass Male 90 Degree DOT Elbow	link

#	BRAND	PART #	DESCRIPTION	LINK
19	Terex	15349	1/2in OD Black Nylon Tubing	link



15063



#	BRAND	PART #	DESCRIPTION	LINK
20	Terex	15063	1in Schedule 40 Black Steel 90 Degree Elbow Fitting	link



15120

#	BRAND	PART #	DESCRIPTION	LINK
21	Terex	15120	1in Closed Black Nipple	link
26	Terex	15119	.25in x Close Schedule 40 Pipe Nipple Fitting	link

WATER SYSTEMS



11926

#	BRAND	PART #	DESCRIPTION	LINK
22	Terex	11926	1in Brass Water Ball Valve	link



11844

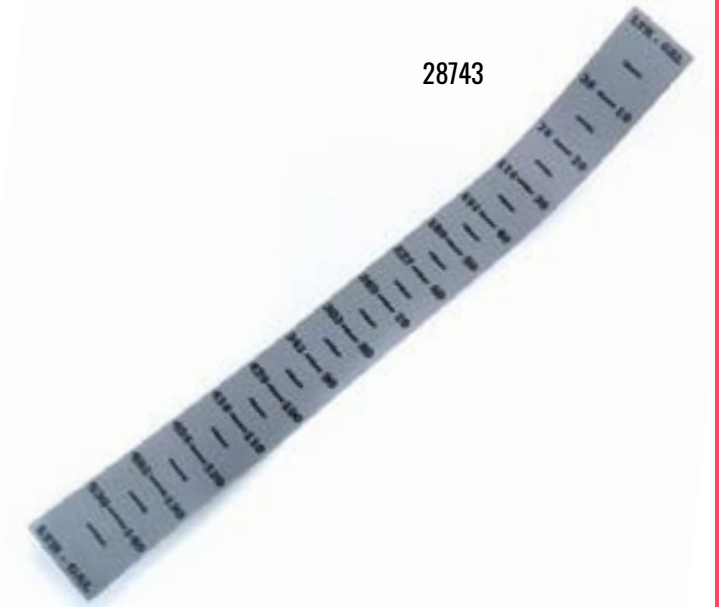
#	BRAND	PART #	DESCRIPTION	LINK
23	Terex	11844	Water Tank Muffler	link

WATER SYSTEMS



30459

#	BRAND	PART #	DESCRIPTION	LINK
27	Terex	30459	Heated Water Plumbing Block Assembly - Manifold	link



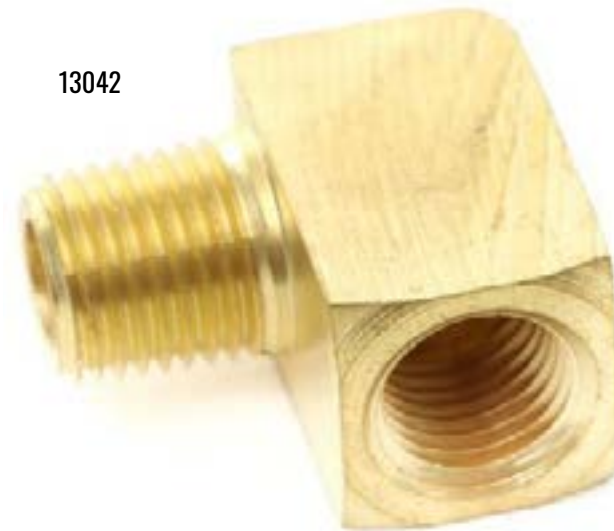
28743

#	BRAND	PART #	DESCRIPTION	LINK
29	Terex	28741	100 Gallon Water Tank Sight Strip	link
29	Terex	28743	150 Gallon Water Tank Sight Strip	link
29	Terex	28760	200 Gallon Water Tank Sight Strip	link
29	Terex	28742	250 Gallon Water Tank Sight Strip	link



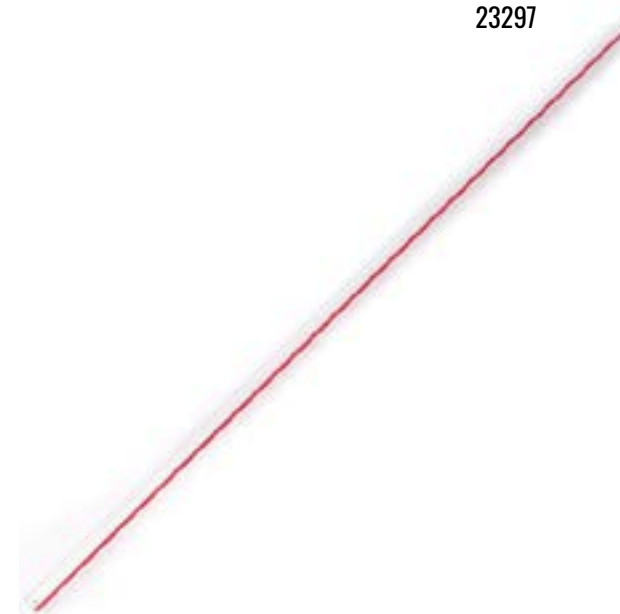
12980

#	BRAND	PART #	DESCRIPTION	LINK
24	Terex	12980	0.50in MNPT x .25in FNPT Brass Reducer Bushing	link



13042

#	BRAND	PART #	DESCRIPTION	LINK
25	Terex	13042	.25NPT x .25FPT 90 Degree Elbow Fitting	link



23297

#	BRAND	PART #	DESCRIPTION	LINK
30	Terex	23297	28.5in Water Tank Sight Gauge Tube	link



21726

#	BRAND	PART #	DESCRIPTION	LINK
31	Terex	21726	.5in Tube X .5in NPT 90 Degree Male Elbow Fitting	link



1577



13608

PART #	BRAND	DESCRIPTION	LINK
1577	Terex	Heavy Duty Mixer Washdown Water Hose	link

PART #	BRAND	DESCRIPTION	LINK
13608	Terex	Pistol Grip Washout Nozzle	link



13106

PART #	BRAND	DESCRIPTION	LINK
13106	Terex	Brass Washdown Hose Water Valve	link

11413

no pic

PART #	BRAND	DESCRIPTION	LINK
11413	Terex	13/16 To 1-1/2 Hose Clamp	link



20518

PART #	BRAND	DESCRIPTION	LINK
20518	Terex	Wash Down Hose Bracket	link



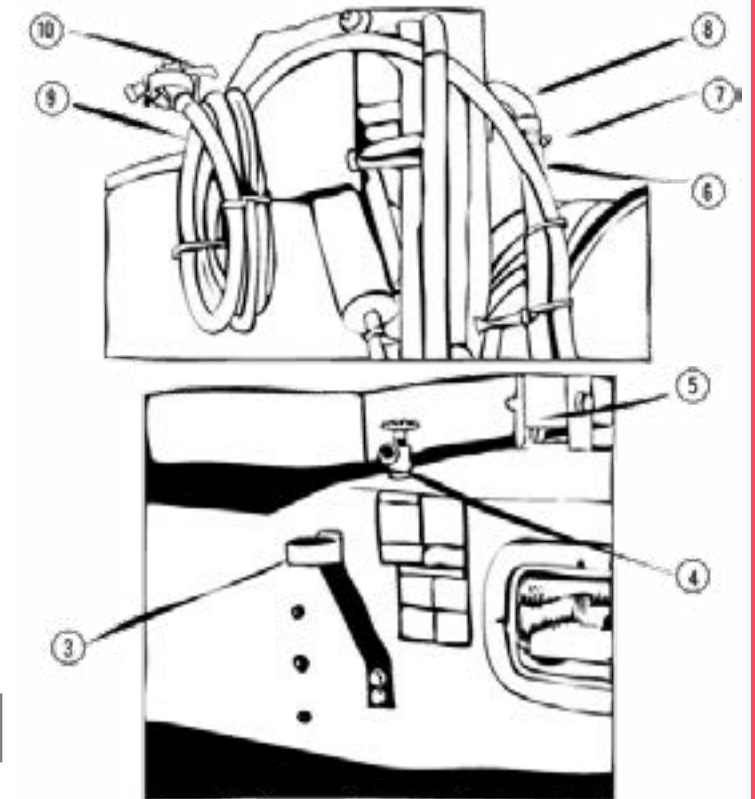
12231

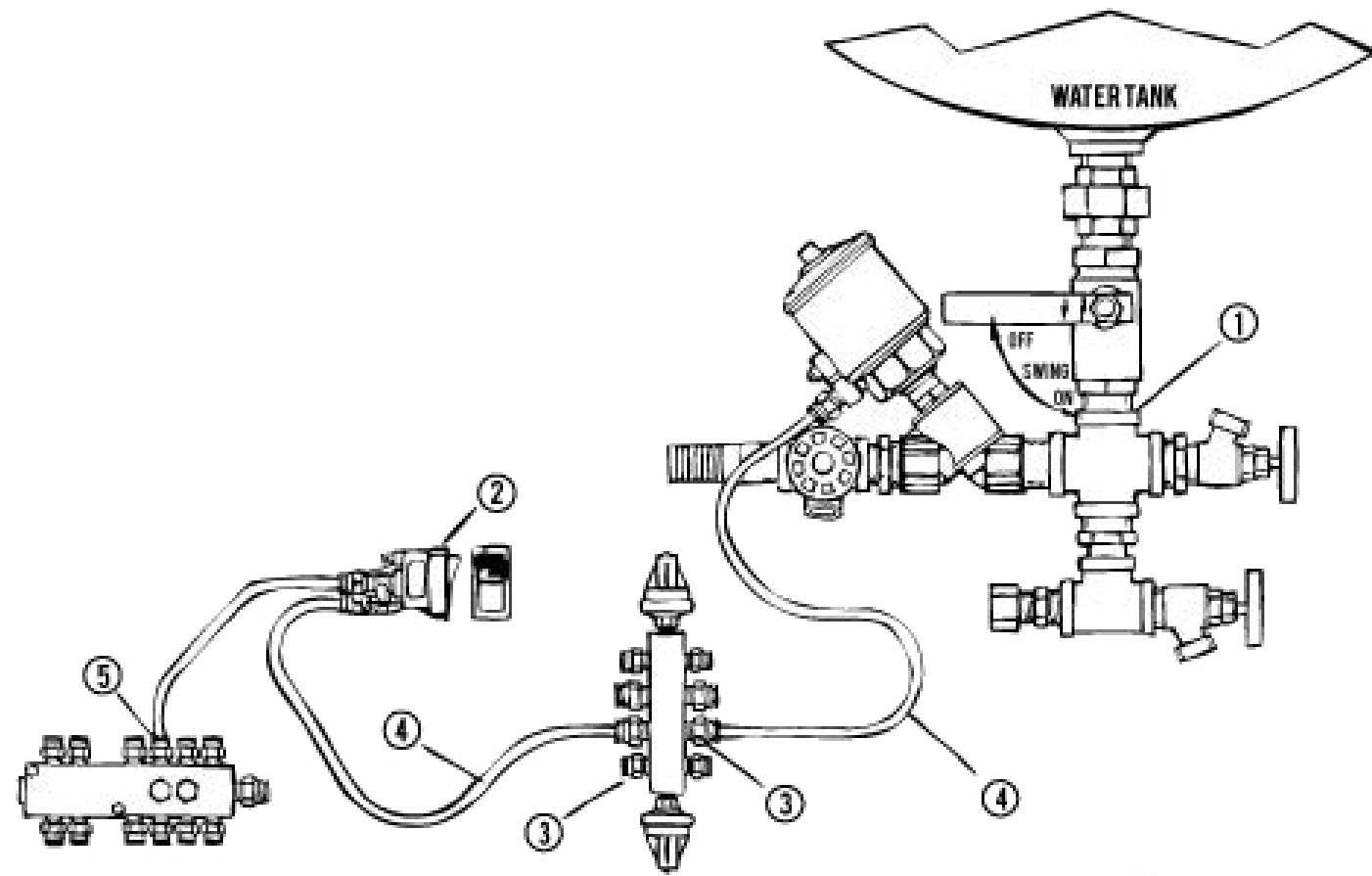
PART #	BRAND	DESCRIPTION	LINK
12231	Terex	.5in FPT Bulkhead Fitting	link



33541

PART #	BRAND	DESCRIPTION	LINK
33541	Terex	Add Water Injection Tube Assembly	link





#	BRAND	PART #	DESCRIPTION	LINK
2	Terex	30380	Green Rocker Air Switch	link



#	BRAND	PART #	DESCRIPTION	LINK
3	Terex	29292	1/4" MPT x 1/4" Tube Connector Fitting	link



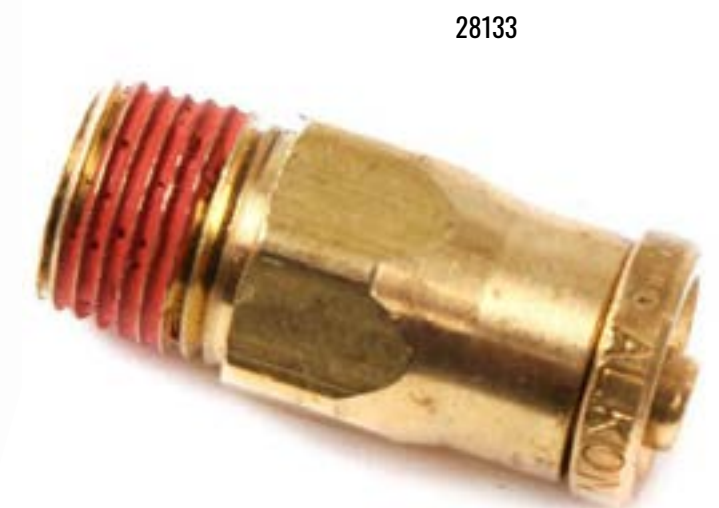
#	BRAND	PART #	DESCRIPTION	LINK
1	Terex	28897	Standard 3,4 5 Axle Water Plumbing Assembly	link



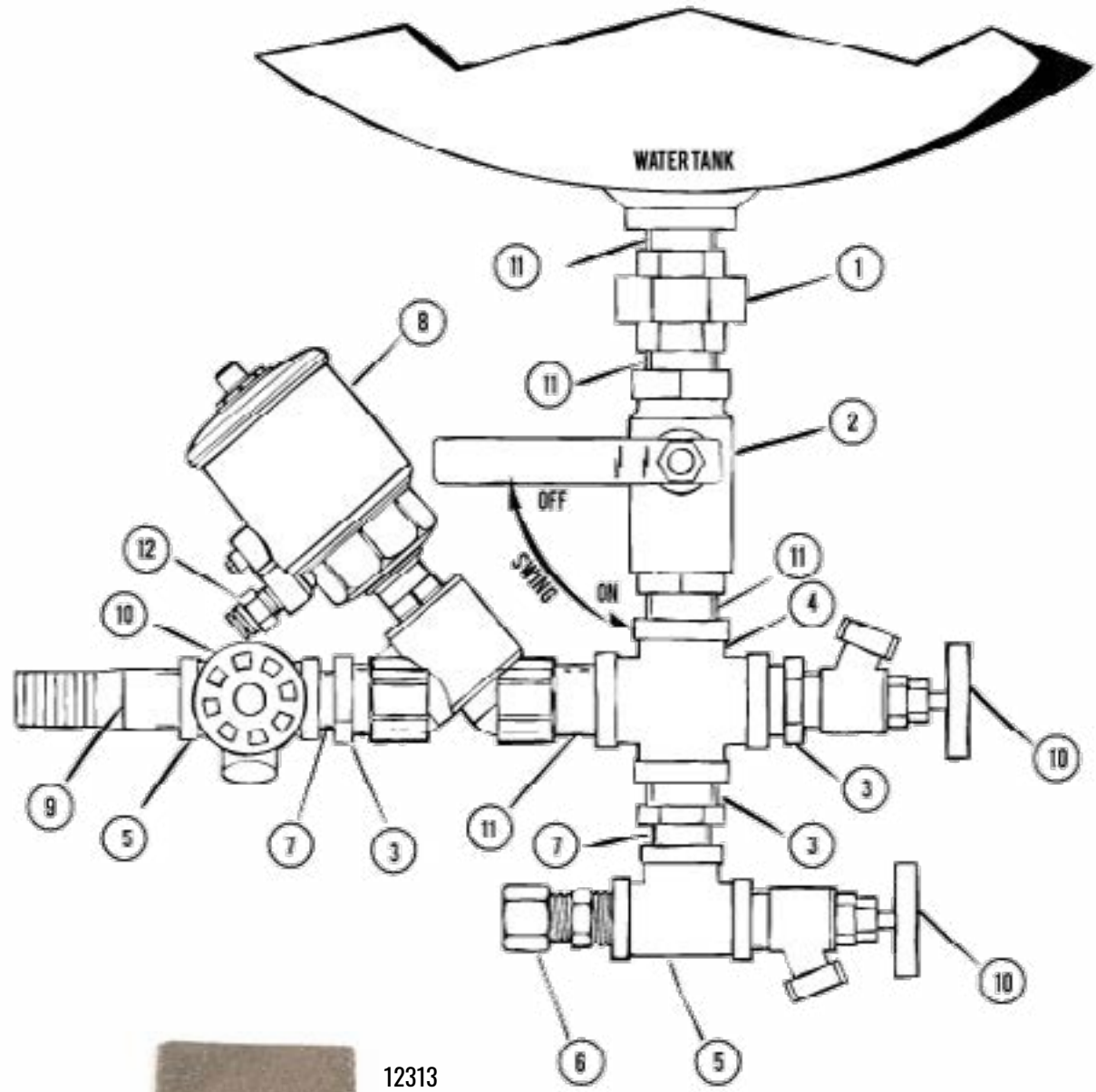
#	BRAND	PART #	DESCRIPTION	LINK
1	Terex	29255	Water Tank Muffler	link



#	BRAND	PART #	DESCRIPTION	LINK
4	Terex	28142	Air Brake Tubing	link



#	BRAND	PART #	DESCRIPTION	LINK
5	Terex	28133	1/8" MPT x 1/4" Tube Connector Fitting	link



12313



15156

#	BRAND	PART #	DESCRIPTION	LINK	#	BRAND	PART #	DESCRIPTION	LINK
1	Terex	12313	1in Schedule 40 Ground Joint Union Fitting	link	3	Terex	15156	1in MPT x 3/4in FPT Brush Reducer Bushing	link



12123



14970

#	BRAND	PART #	DESCRIPTION	LINK	#	BRAND	PART #	DESCRIPTION	LINK
4	Terex	12123	1in FPT Black Pipe Cross Connector	link	5	Terex	14970	.75in T Pipe Fitting	link



11776



15140

#	BRAND	PART #	DESCRIPTION	LINK	#	BRAND	PART #	DESCRIPTION	LINK
6	Terex	11776	3/4in x 3/4in Brass NPT Compression Fitting	link	7	Terex	15140	.75in Close Nipple Fitting	link



30346



11952

#	BRAND	PART #	DESCRIPTION	LINK
8	Terex	30346	1in NPT Female Air Piloted Add Water Valve	link

#	BRAND	PART #	DESCRIPTION	LINK
9	Terex	11952	3/4in NPT x 3/4in Hose Barb Hose Fitting Nipple	link



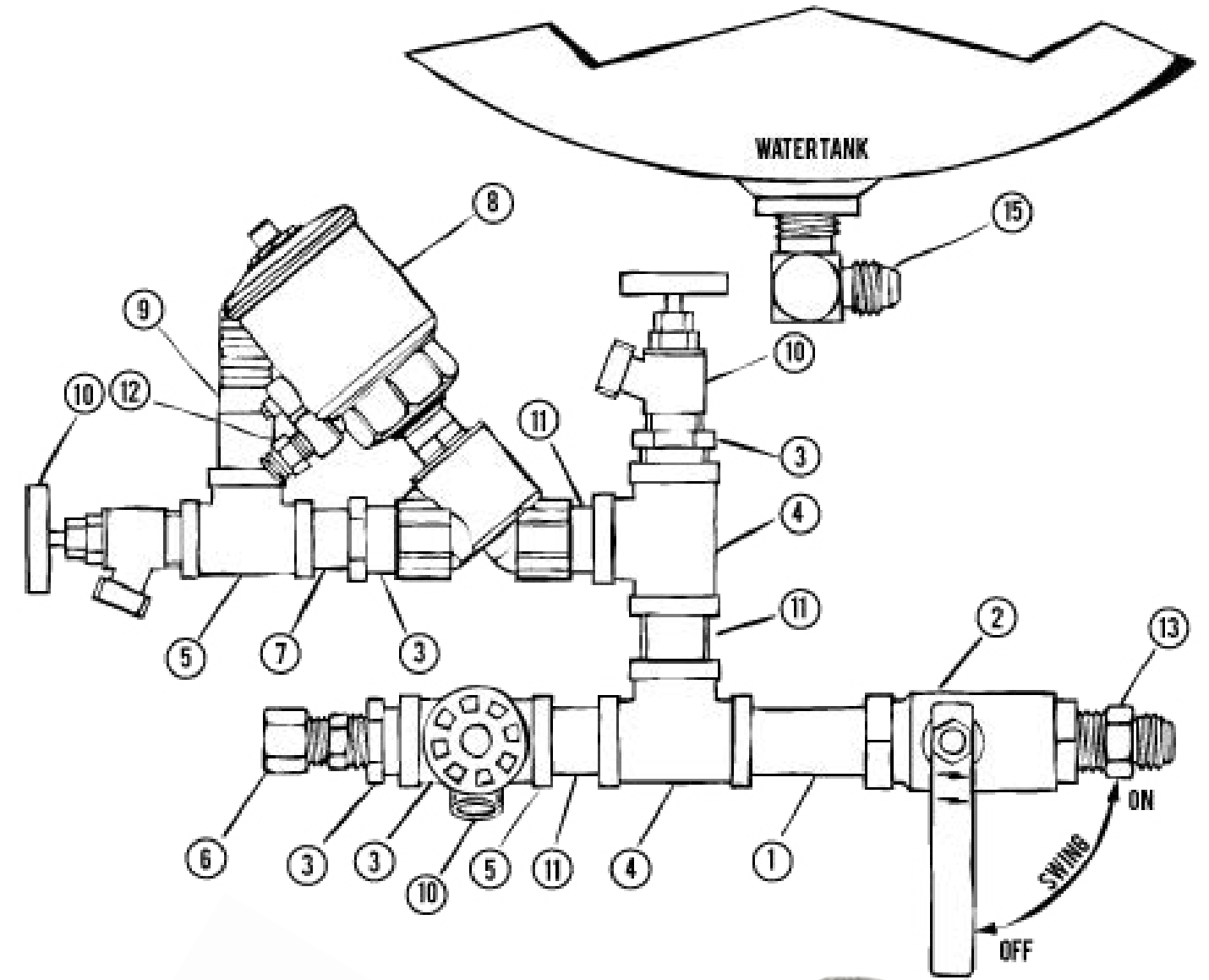
14218



30464

#	BRAND	PART #	DESCRIPTION	LINK
10	Terex	14218	.75in Water Valve	link

#	BRAND	PART #	DESCRIPTION	LINK
13	Terex	30464	Add Water Valve Seal Repair Kit	link



15116



14971

#	BRAND	PART #	DESCRIPTION	LINK
1	Terex	15116	1in x 3in Nipple Fitting	link

#	BRAND	PART #	DESCRIPTION	LINK
4	Terex	14971	Add Water Valve Seal Repair Kit	link



12128



12149

#	BRAND	PART #	DESCRIPTION	LINK
13	Terex	12128	Adapter Fitting	link

#	BRAND	PART #	DESCRIPTION	LINK
15	Terex	12149	1in TOD x 1in NPT JIC 90 Degree Make Elbow Fitting	link



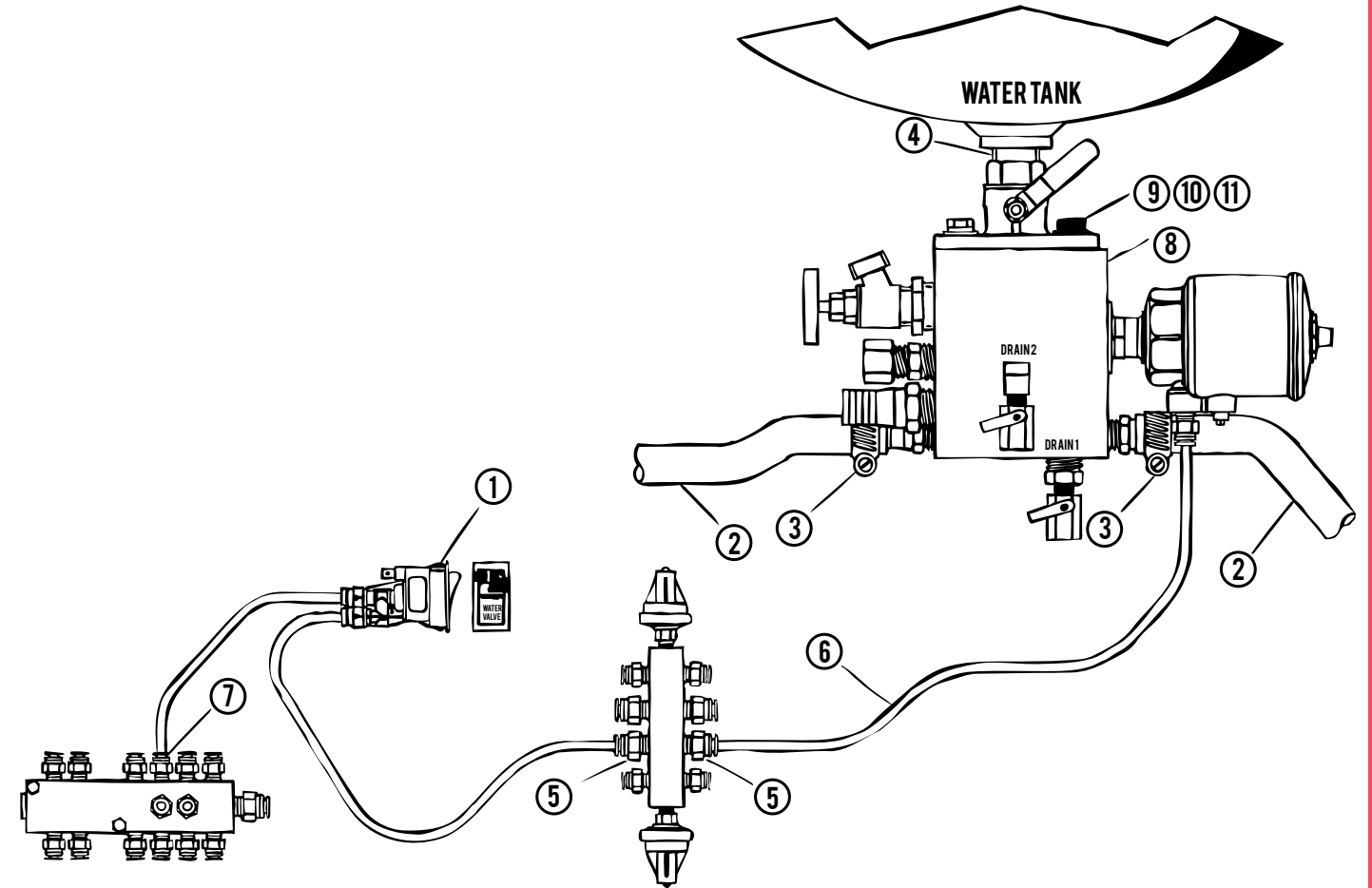
20579



19352

#	BRAND	PART #	DESCRIPTION	LINK
17	Terex	20579	.25in-20 - 1.25in X 2.25in X .75in Zinc Plated Ball Valve Mounting U-Bolt	link

#	BRAND	PART #	DESCRIPTION	LINK
18	Terex	19352	1/4in-20 Zinc Plated Lock Nut	link



36004



11411

#	BRAND	PART #	DESCRIPTION	LINK
2	Terex	36004	5/8in SAE Hose	link

#	BRAND	PART #	DESCRIPTION	LINK
3	Terex	11411	9/16in to 1-1/16in Hose Clamp	link

30458



30341

#	BRAND	PART #	DESCRIPTION	LINK
4	Terex	30458	1in NPT Schedule 80 Close Nipple Fitting	link

#	BRAND	PART #	DESCRIPTION	LINK
8	Terex	30341	Heated Water Plumbing Block Assembly - Manifold	link

19143



19028

#	BRAND	PART #	DESCRIPTION	LINK
9	Terex	19143	Hex Head Cap Screw	link

#	BRAND	PART #	DESCRIPTION	LINK
10	Terex	19028	Split Lock Washer	link



19312



12699

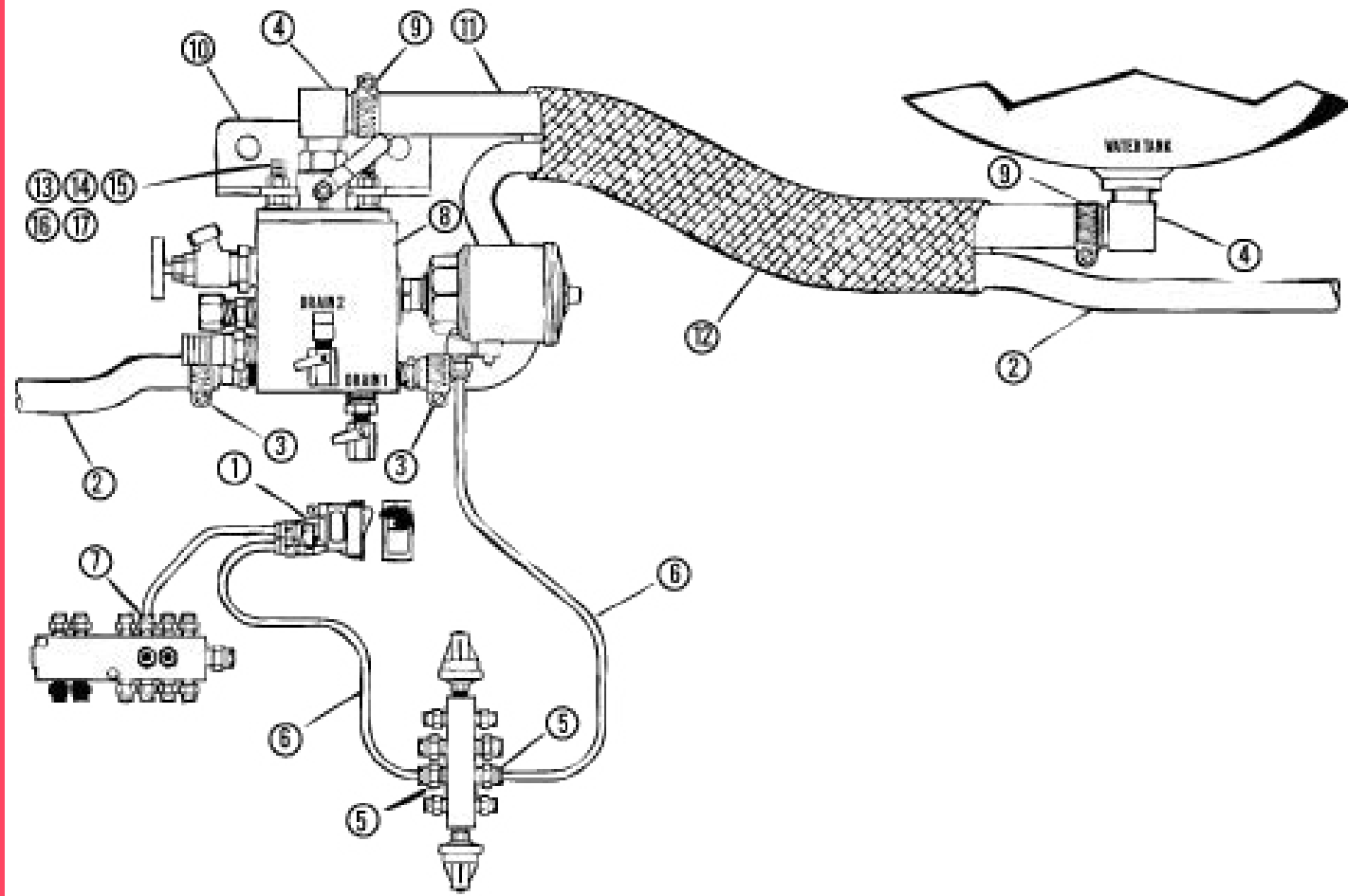
#	BRAND	PART #	DESCRIPTION	LINK
11	Terex	19312	3/8in Grade 8 Zinc Plated Flat Washer	link

PART #	BRAND	DESCRIPTION	LINK
12699	Terex	Steel Water Tank Support	link

12700



PART #	BRAND	DESCRIPTION	LINK
12700	Terex	Aluminum Water Tank Support	link



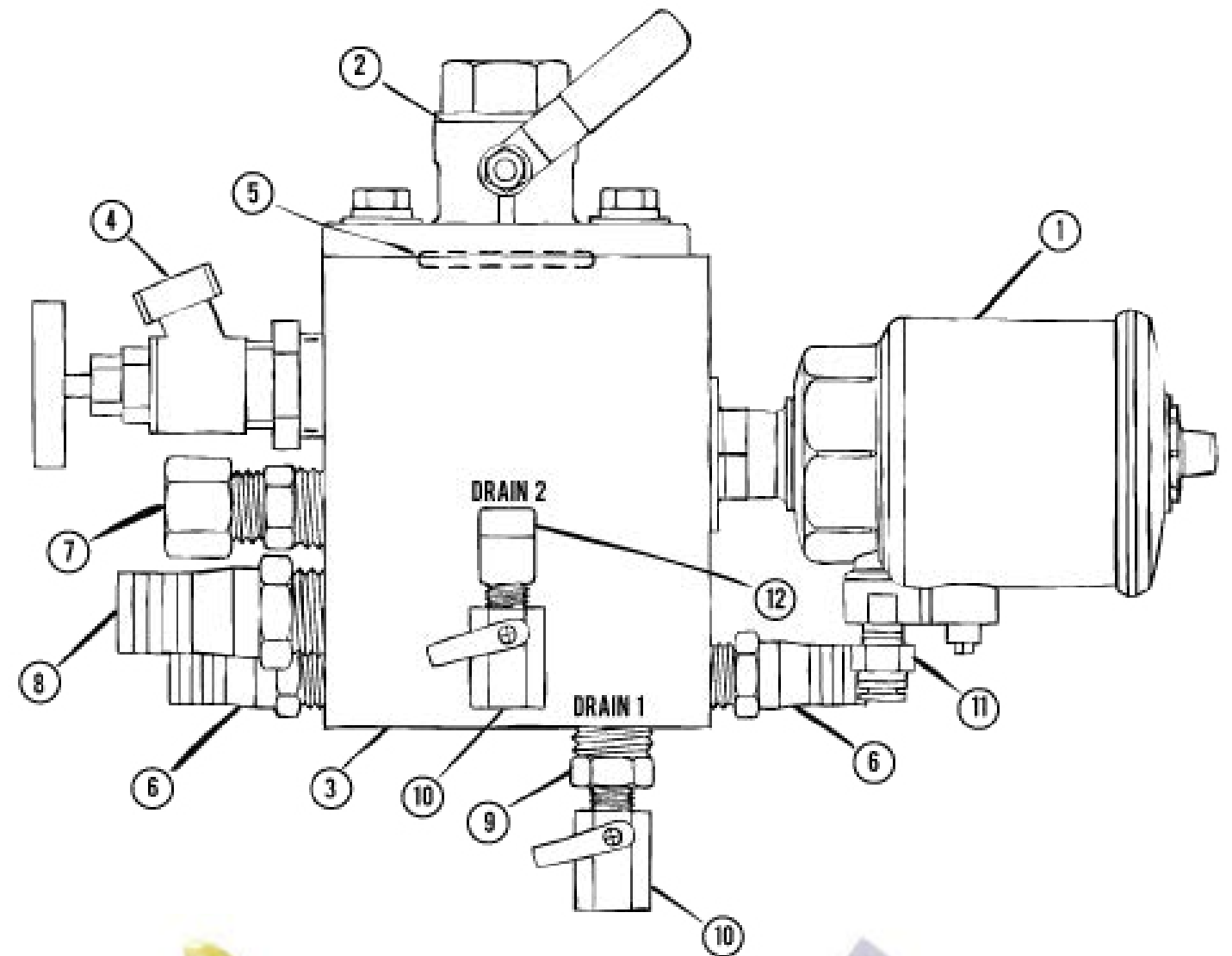
30775



30722

#	BRAND	PART #	DESCRIPTION	LINK
4	Terex	30775	1.0" X 1.0" NPT 90 Degree Zinc Hose Barb	link

#	BRAND	PART #	DESCRIPTION	LINK
10	Terex	30722	Heated Water Valve Bracket	link



30347



30345

#	BRAND	PART #	DESCRIPTION	LINK
2	Terex	30347	1in Flange Ball Valve	link

#	BRAND	PART #	DESCRIPTION	LINK
3	Terex	30345	Heated Water Tank Manifold	link

30348



#	BRAND	PART #	DESCRIPTION	LINK
5	Terex	30348	#327 EPDM O-Ring	link

30349



#	BRAND	PART #	DESCRIPTION	LINK
6	Terex	30349	1/2 NPT X 5/8 Hose Barb Fitting	link

15307

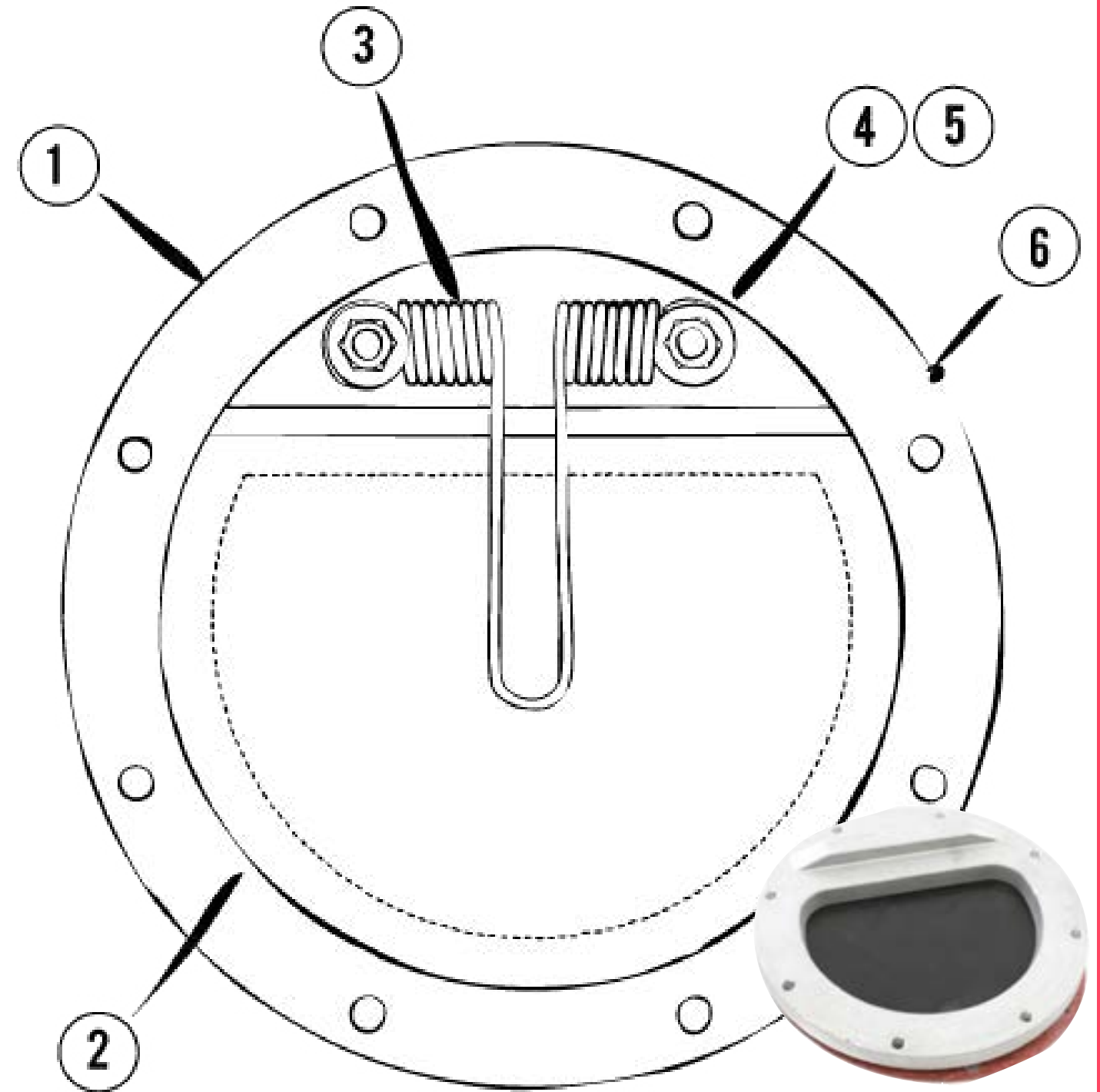


#	BRAND	PART #	DESCRIPTION	LINK
10	Terex	15307	.25in NPT Air Ball Valve	link

1144779



PART #	BRAND	DESCRIPTION	LINK
19575	Terex	4in Water Tank Skids	link



35418



PART #	BRAND	DESCRIPTION	LINK
35418	Terex	6.75in Water Tank Flapper Assembly With Spring	link

42300



#	BRAND	PART #	DESCRIPTION	LINK
1	Terex	42300	Large Water Tank Filler Flapper Plate	link



42301

#	BRAND	PART #	DESCRIPTION	LINK
2	Terex	42301	6.75in Water Tank Flapper	link

42302



#	BRAND	PART #	DESCRIPTION	LINK
3	Terex	42302	Large Water Tank Fill Spring	link



35419

#	BRAND	PART #	DESCRIPTION	LINK
4	Terex	35419	Plated Flat Washer	link

19029



#	BRAND	PART #	DESCRIPTION	LINK
5	Terex	19029	1/4in-20 x 1-1/4in Stainless Steel Hex Head Screw Bolt	link



42303

#	BRAND	PART #	DESCRIPTION	LINK
6	Terex	42303	Water Tank Flopper Gasket for Large Water Tank Flappers	link

20256

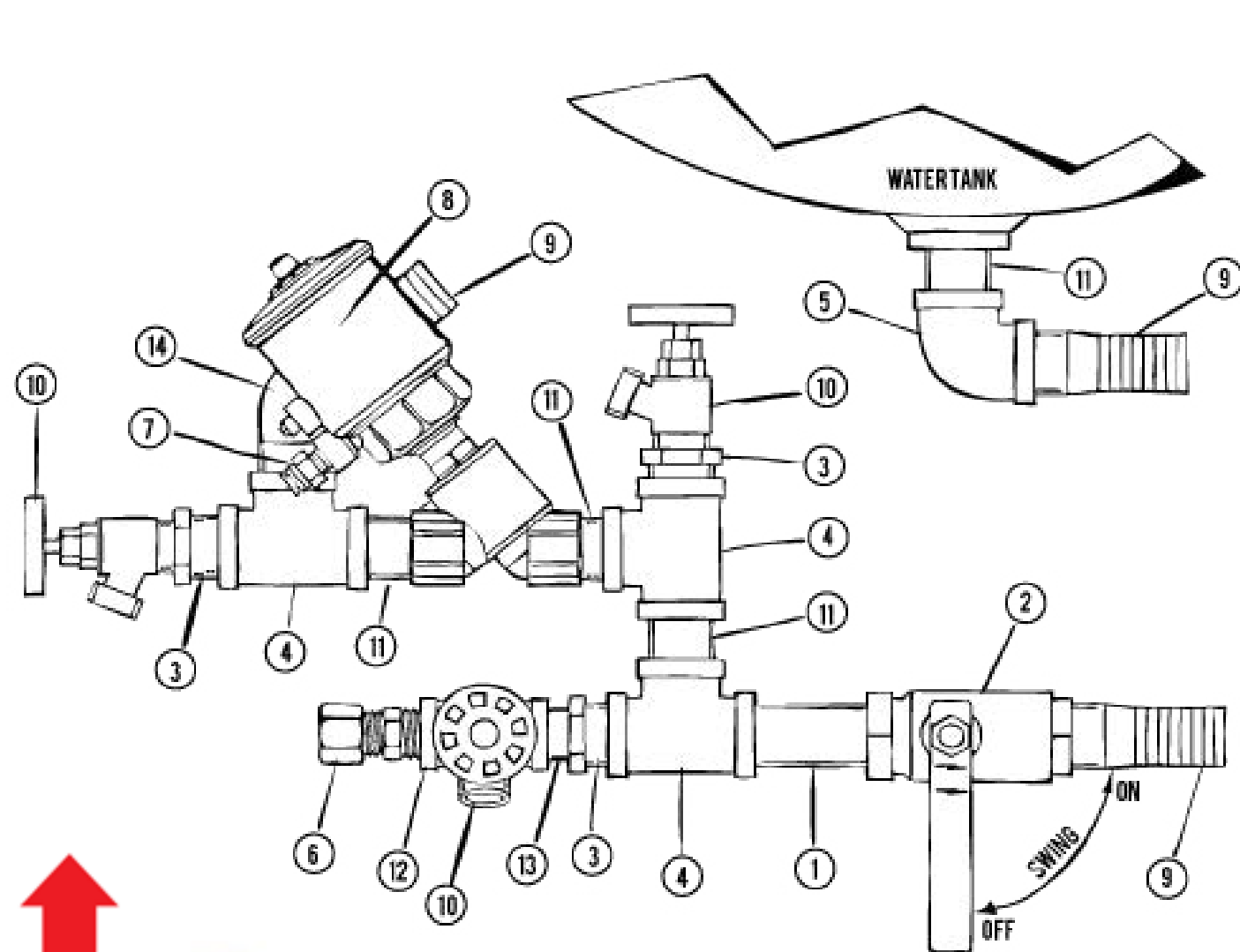


PART #	BRAND	DESCRIPTION	LINK
20256	Terex	1in Water Hose	link



31558

PART #	BRAND	DESCRIPTION	LINK
31558	Terex	Water Tank Fill Plate Cover	link



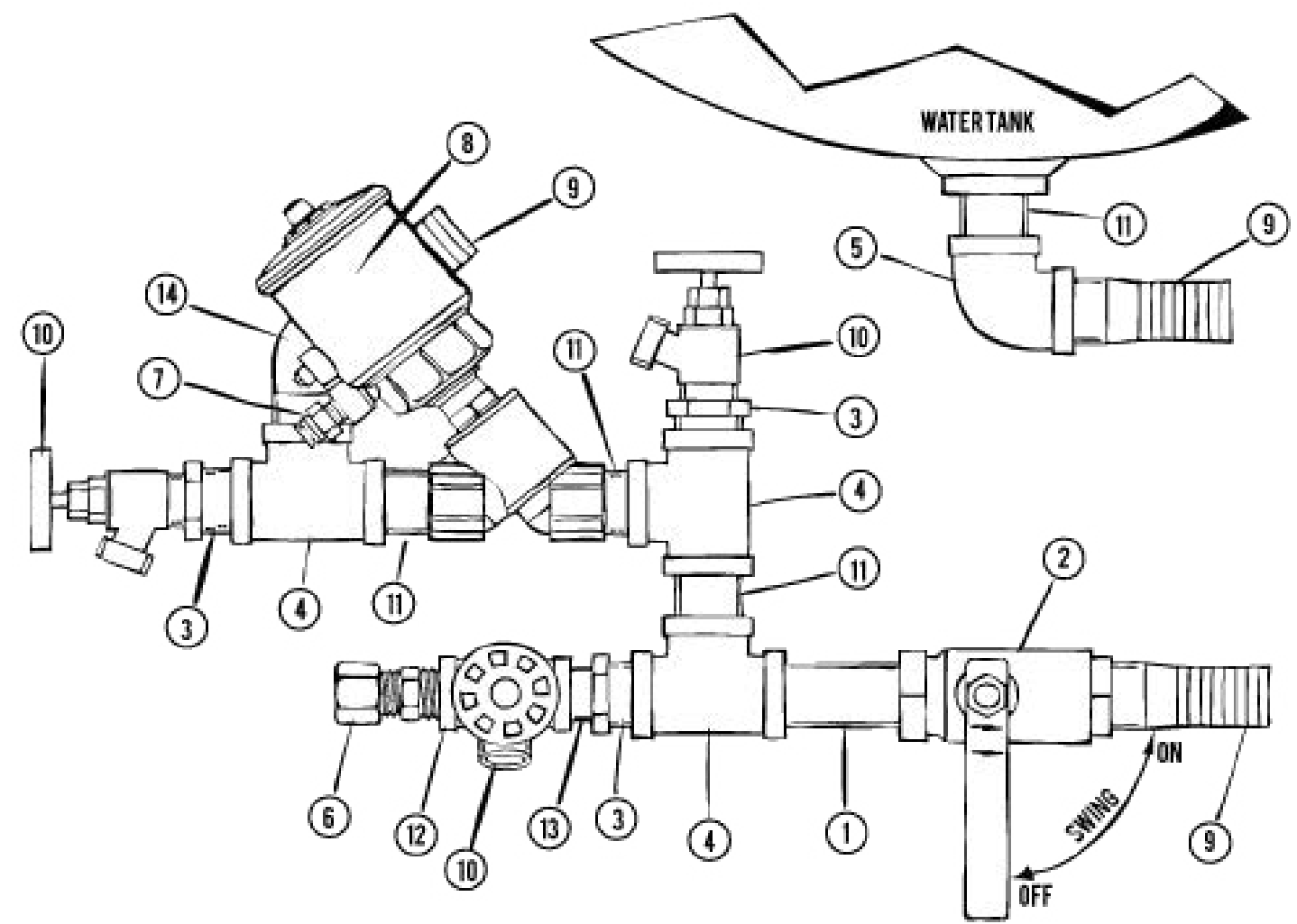
37096



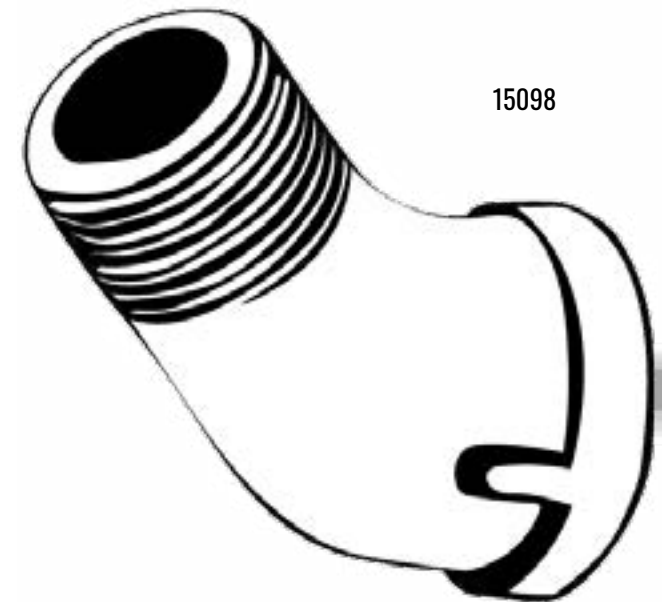
15042

#	BRAND	PART #	DESCRIPTION	LINK
7	Terex	37096	Hex Head Pipe Plug	link

#	BRAND	PART #	DESCRIPTION	LINK
5	Terex	15042	1in Schedule 40 Black 90 Degree Elbow Fitting	link



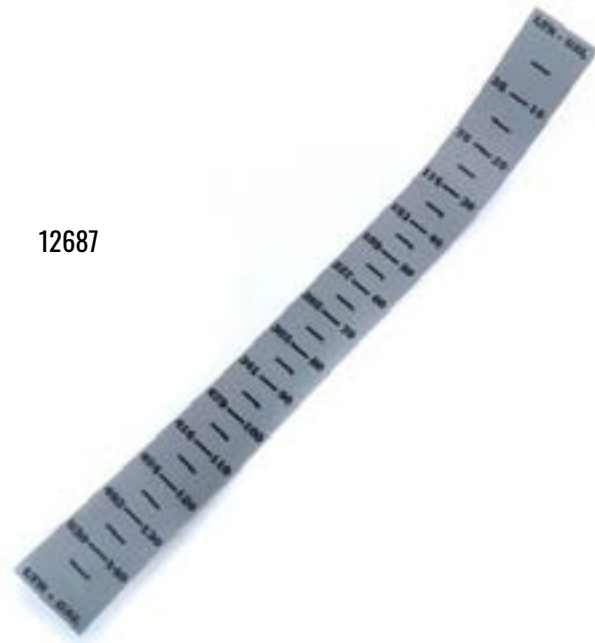
17356



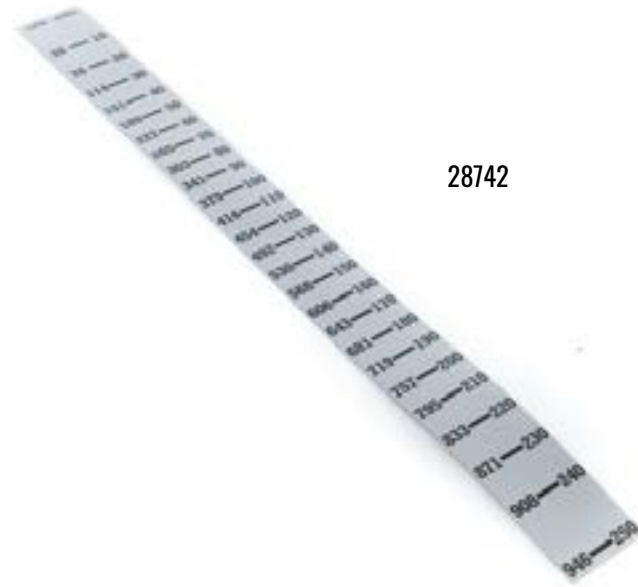
15098

#	BRAND	PART #	DESCRIPTION	LINK
9	Terex	17356	1in Water Tank Nipple Hose Barb Fitting	link

#	BRAND	PART #	DESCRIPTION	LINK
14	Terex	15098	1in Schedule 40 Black 45 Degree Elbow Fitting	link

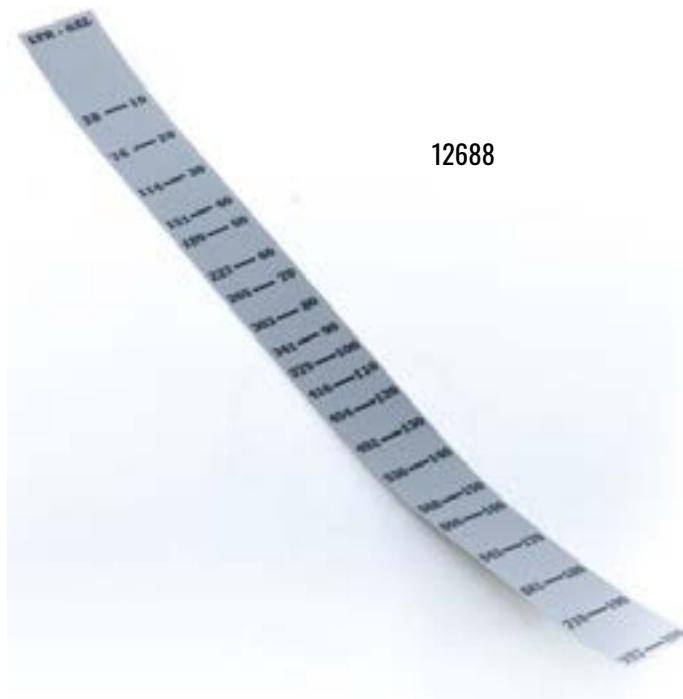


12687



28742

PART #	BRAND	DESCRIPTION	LINK	PART #	BRAND	DESCRIPTION	LINK
12687	Terex	150 Gallon Water Tank Sight Strip	link	28742	Terex	250 Gallon Water Tank Sight Gauge Marker Strip	link



12688

PART #	BRAND	DESCRIPTION	LINK
12688	Terex	200 Gallon Water Tank Sight Gauge Marker Strip	link



PART #	BRAND	DESCRIPTION	LINK
33000	Indiana Phoenix	28in Single Fill 150 Gallon Steel Water Tank	--
33010	Indiana Phoenix	28in Single Fill 200 Gallon Steel Water Tank	link
33130	Indiana Phoenix	28in Single Fill 250 Gallon Aluminum Water Tank	link
33140	Indiana Phoenix	28in Dual Fill 250 Gallon Aluminum Water Tank	link
33150	Indiana Phoenix	28in Dual Fill 150 Gallon Aluminum Water Tank	link
33180	Indiana Phoenix	28in Dual Fill 200 Gallon Aluminum Water Tank	link
33620	Indiana Phoenix	28in Single Fill 150 Gallon Aluminum Water Tank	link
33750	Indiana Phoenix	28in Single Fill 250 Gallon Steel Water Tank	link
33840	Indiana Phoenix	28in Single Fill 200 Gallon Aluminum Water Tank	link



30500



30510

PART #	BRAND	DESCRIPTION	LINK
30500	Indiana Phoenix	Small Water Tank Flapper Valve Spring	link

PART #	BRAND	DESCRIPTION	LINK
30510	Indiana Phoenix	Water Tank Flapper Assembly O-Ring	link



825103



825104

PART #	BRAND	DESCRIPTION	LINK
825103	Indiana Phoenix	Upper Valve	link

PART #	BRAND	DESCRIPTION	LINK
825104	Indiana Phoenix	Lower Valve	link



30720



30640

PART #	BRAND	DESCRIPTION	LINK
30720	Indiana Phoenix	.5in Water Gauge Valve Set	link

PART #	BRAND	DESCRIPTION	LINK
30640	Indiana Phoenix	Rubber Washer for Sight Glass Tube	link



30520



32370

PART #	BRAND	DESCRIPTION	LINK
30520	Indiana Phoenix	Water Tank Flapper Plate Flange	link

PART #	BRAND	DESCRIPTION	LINK
32370	Indiana Phoenix	Water Tank Muffler	link



30451



30460

PART #	BRAND	DESCRIPTION	LINK
30451	Indiana Phoenix	Red Sight Gauge Floating Ball	link

PART #	BRAND	DESCRIPTION	LINK
30460	Indiana Phoenix	1in Brass Water Ball Valve with Stainless Steel Stem	link
30470	Indiana Phoenix	Ball Valve Handle	link



533131



32610

PART #	BRAND	DESCRIPTION	LINK
533131	Indiana Phoenix	Add Water Pipe	link

PART #	BRAND	DESCRIPTION	LINK
32610	Indiana Phoenix	Boiler Drain Water Valve	link



565100



30630

PART #	BRAND	DESCRIPTION	LINK
565100	Indiana Phoenix	Pistol Grip Washout Nozzle	link

PART #	BRAND	DESCRIPTION	LINK
30630	Indiana Phoenix	30ft X 1/2in Washdown Hose	link



12130



43110

PART #	BRAND	DESCRIPTION	LINK
12130	Indiana Phoenix	Wash Down Hose Bracket	link

PART #	BRAND	DESCRIPTION	LINK
43110	Indiana Phoenix	Cab Mount	link

WATER SYSTEMS



30490



20230

PART #	BRAND	DESCRIPTION	LINK
30490	Indiana Phoenix	4.25in Water Tank Rubber Flapper	link

PART #	BRAND	DESCRIPTION	LINK
20230	Indiana Phoenix	Air Tank, Cab, and Radiator Isolator Bushing	link



43130



48071

PART #	BRAND	DESCRIPTION	LINK
43130	Indiana Phoenix	Large Flat Washer	link

PART #	BRAND	DESCRIPTION	LINK
48071	Indiana Phoenix	1in Brass Water Ball Valve	link

WATER SYSTEMS



C994402400



C84N010001

PART #	BRAND	DESCRIPTION	LINK
C994402400	Kimble	72in Sight Gauge Tube with Red Line	link

PART #	BRAND	DESCRIPTION	LINK
C84N010001	Kimble	1in x Close Black Nipple	link



C84E110000



C990032300

PART #	BRAND	DESCRIPTION	LINK
C84E110000	Kimble	1in 90 Degree Elbow Pipe	link

PART #	BRAND	DESCRIPTION	LINK
C990032300	Kimble	Water Tank Sight Gauge Red Floating Ball	link

WATER SYSTEMS



C84J010000



PART #	BRAND	DESCRIPTION	LINK
C940010000	Kimble	1in Brass Water Ball Valve	link

PART #	BRAND	DESCRIPTION	LINK
C84J010000	Kimble	1in Water Tank Nipple Hose Barb Fitting	link



C810375000



C310370481

PART #	BRAND	DESCRIPTION	LINK
C810375000	Kimble	3/8in Push Lock Hose	link

PART #	BRAND	DESCRIPTION	LINK
C310370481	Kimble	Flat Washer	link

WATER SYSTEMS



C420375086



200180658

PART #	BRAND	DESCRIPTION	LINK
C420375086	Kimble	Top Lock Nut	link

PART #	BRAND	DESCRIPTION	LINK
200180658	Kimble	Flange Bolt	link



200039018



200106007

PART #	BRAND	DESCRIPTION	LINK
200039018	Kimble	5/8-18 x 4 Hex Head Cap Screw Bolt	link

PART #	BRAND	DESCRIPTION	LINK
200106007	Kimble	5/8in Grade C Steel Locknut	link



200001112

PART #	BRAND	DESCRIPTION	LINK
200001112	Kimble	Flanged Lock Nut	link



200080103

PART #	BRAND	DESCRIPTION	LINK
200080103	Kimble	Water Tank Mount	link



200105009

PART #	BRAND	DESCRIPTION	LINK
200105009	Kimble	Grade 8 Plated Flat-washer	link



2058120

PART #	BRAND	DESCRIPTION	LINK
2058120	Oshkosh	Water Gauge Bracket	link



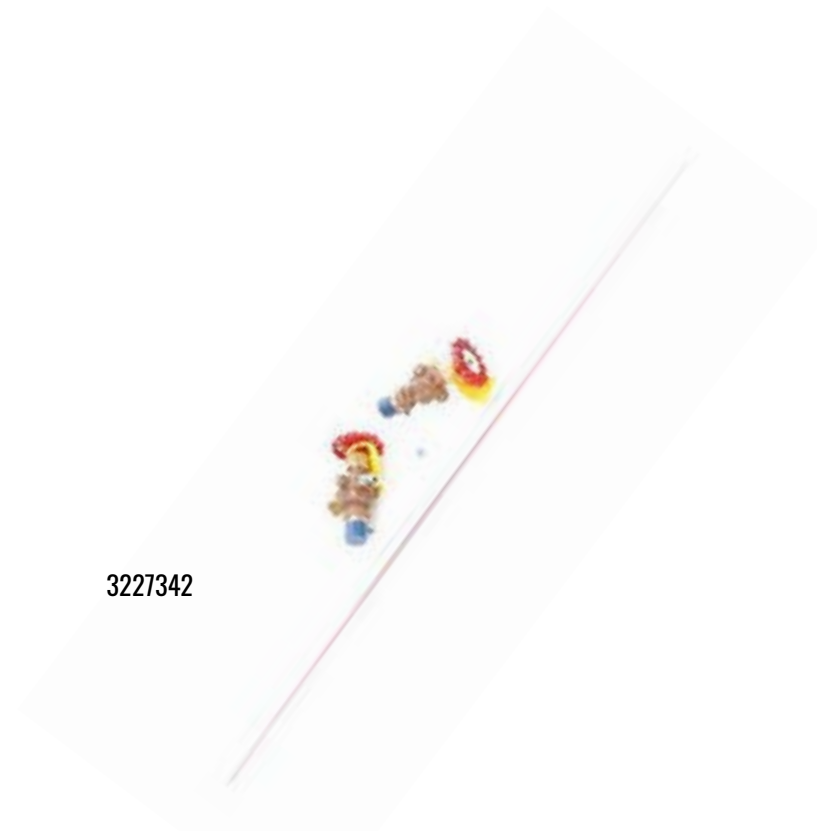
3279667

PART #	BRAND	DESCRIPTION	LINK
3279667	Oshkosh	Water Valve Bracket	link



1328042

PART #	BRAND	DESCRIPTION	LINK
1328042	Oshkosh	Add Water Ball Valve Bracket	link



3227342

PART #	BRAND	DESCRIPTION	LINK
3227342	Oshkosh	Water Level Gauge Kit	link



3466958

PART #	BRAND	DESCRIPTION	LINK
3466958	Oshkosh	Water Valve Lever	link



3281261

PART #	BRAND	DESCRIPTION	LINK
3281261	Oshkosh	Water Valve Assembly Rod	link



1537990

PART #	BRAND	DESCRIPTION	LINK
1537990	Oshkosh	Water Valve Seal Kit	link



1541585

PART #	BRAND	DESCRIPTION	LINK
1541585	Oshkosh	Air Piloted Add Water Valve	link



1537989

PART #	BRAND	DESCRIPTION	LINK
1537989	Oshkosh	3/4in Electric Add Water Valve	link



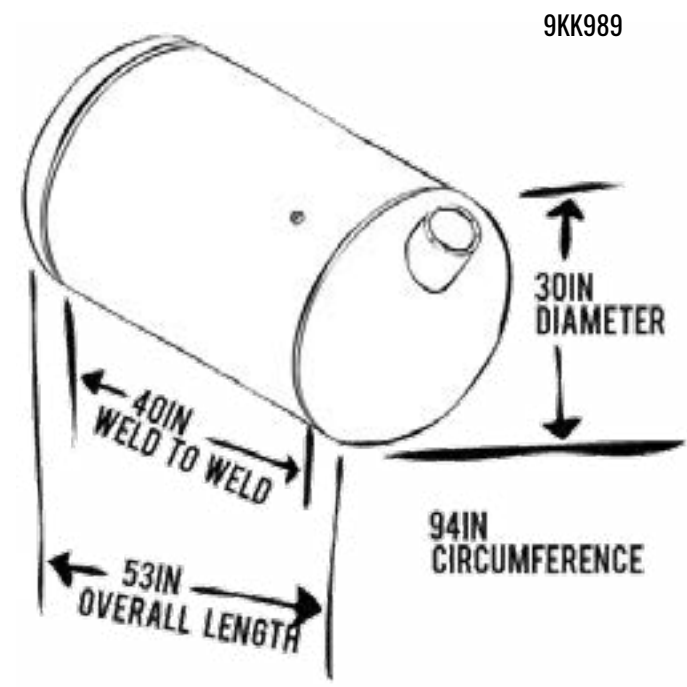
1143242

PART #	BRAND	DESCRIPTION	LINK
1143242	Oshkosh	Aluminum Sight Gauge Mount Angle	link



1143239

PART #	BRAND	DESCRIPTION	LINK
1143239	Oshkosh	Steel Sight Gauge Mount Angle	link



9KK989

PART #	BRAND	DESCRIPTION	LINK
9KK989	Oshkosh	150 Gallon Single Fill Water Tank	link



2171690

PART #	BRAND	DESCRIPTION	LINK
2171690	Oshkosh	.25in Water Tank Air Shut-off Ball Valve	link



1321513

PART #	BRAND	DESCRIPTION	LINK
1321513	Oshkosh	Water Level Indicator Ball	link



0115908

PART #	BRAND	DESCRIPTION	LINK
0115908	McNeilus	Blue Floating Sight Gauge Ball	link



A000Y242

PART #	BRAND	DESCRIPTION	LINK
A000Y242	Oshkosh	15mm Water Tank Floating Ball Level Indicator	link



3209570

PART #	BRAND	DESCRIPTION	LINK
3209570	Oshkosh	Water Gauge Angle Mounting Bracket	link



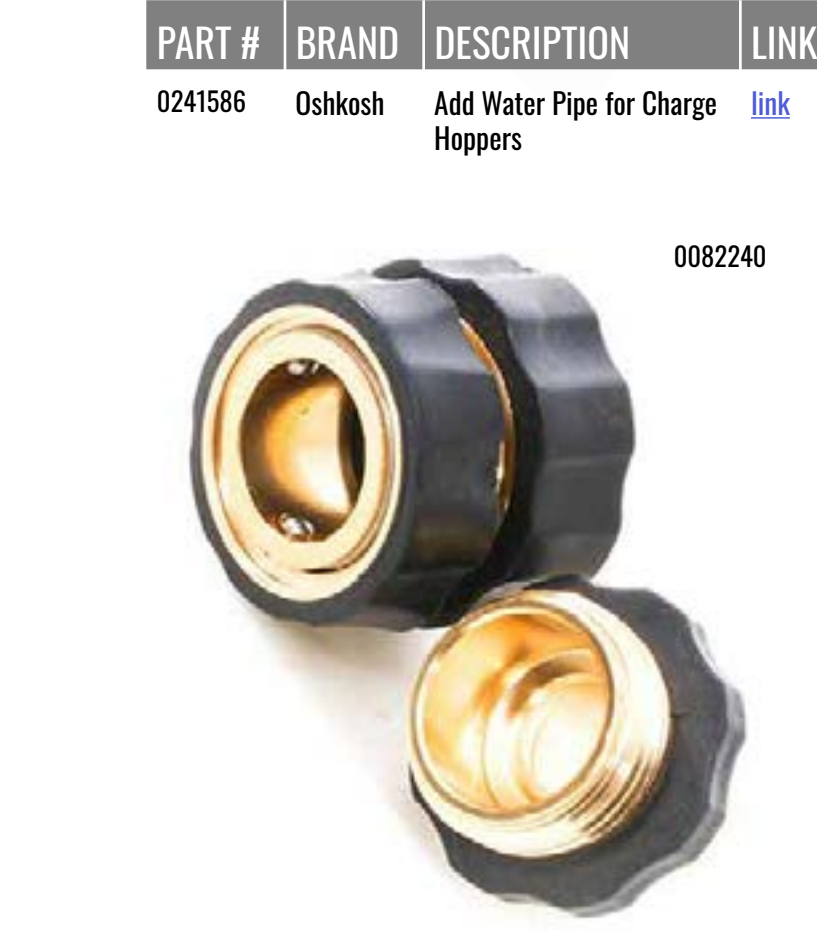
0241586

PART #	BRAND	DESCRIPTION	LINK
0241586	Oshkosh	Add Water Pipe for Charge Hoppers	link



1212FX

PART #	BRAND	DESCRIPTION	LINK
1212FX	Oshkosh	Drain Cock Air Valve	link



0082240

PART #	BRAND	DESCRIPTION	LINK
0082240	Oshkosh	Brass Quick Connector Set	link



0150832

PART #	BRAND	DESCRIPTION	LINK
0150832	Oshkosh	Flapper Flange - Water Tank Flopper Cover	link



14595FX

PART #	BRAND	DESCRIPTION	LINK
14595FX	Oshkosh	.25 in Brass Petcock	link



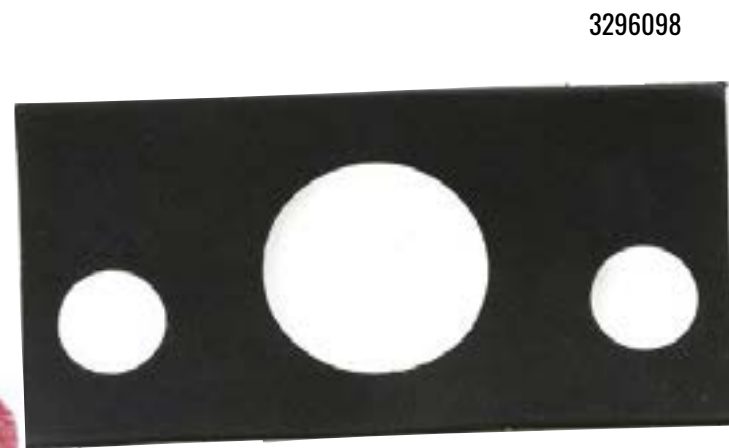
1606400

PART #	BRAND	DESCRIPTION	LINK
1606400	Oshkosh	6.75in Water Tank Flapper Assembly Flopper Kit	link



2HD762

PART #	BRAND	DESCRIPTION	LINK
2HD762	Oshkosh	72in Sight Gauge Tube with Red Line	link



3296098

PART #	BRAND	DESCRIPTION	LINK
3296098	Oshkosh	Water Valve Lever Assembly Gasket	link



0115212

PART #	BRAND	DESCRIPTION	LINK
0115212	Oshkosh	Water Tank Flapper Gasket For 150830	link



A000R975

PART #	BRAND	DESCRIPTION	LINK
A000R975	Oshkosh	Water Tank Level Indicator Hose	link



A000P692

PART #	BRAND	DESCRIPTION	LINK
A000P692	Oshkosh	150 Gal Water Tank Level Indicator Hose	link



1546853

PART #	BRAND	DESCRIPTION	LINK
1546853	Oshkosh	13ft Washdown Water Hose with 5/8in Inner Diameter	link



1179851

PART #	BRAND	DESCRIPTION	LINK
1179851	Oshkosh	12.5ft Wash Down Hose	link



008224210

PART #	BRAND	DESCRIPTION	LINK
008224210	Oshkosh	Washdown Water Hose	link



1577740

PART #	BRAND	DESCRIPTION	LINK
1577740	Oshkosh	40ft Black Mixer Washdown Water Hose	link



0082242

PART #	BRAND	DESCRIPTION	LINK
0082242	Oshkosh	25ft Washdown Water Hose	link



3274660

PART #	BRAND	DESCRIPTION	LINK
3274660	Oshkosh	Water Valve Lever Assembly	link



3274663

PART #	BRAND	DESCRIPTION	LINK
3274663	Oshkosh	Mounting Bracket for Lever Assembly	link



0114009

PART #	BRAND	DESCRIPTION	LINK
0114009	Oshkosh	1in Electric GPI Water Meter	link



0082573

PART #	BRAND	DESCRIPTION	LINK
0082573	Oshkosh	Insulated Water Hose Spray Nozzle	link



3464576



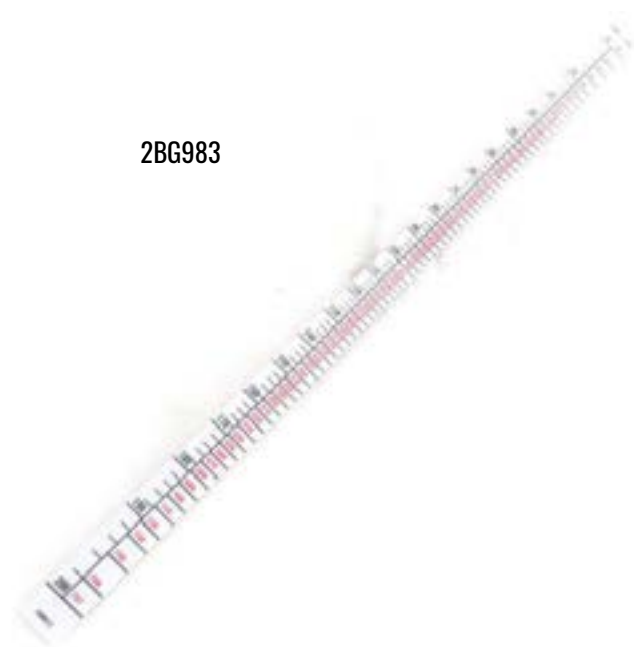
2CF698

PART #	BRAND	DESCRIPTION	LINK
3464576	Oshkosh	Pistol Grip Washout Nozzle	link

PART #	BRAND	DESCRIPTION	LINK
2CF698	Oshkosh	150 Gallon Water Tank Sight Strip	link



3477184



2BG983

PART #	BRAND	DESCRIPTION	LINK
3477184	Oshkosh	150 Gallon Water Tank Gauge Strip	link

PART #	BRAND	DESCRIPTION	LINK
2BG983	Oshkosh	200 Gallon Strip - 30in	link



6HD955



2BG986

PART #	BRAND	DESCRIPTION	LINK
6HD955	Oshkosh	Lower Valve	link

PART #	BRAND	DESCRIPTION	LINK
2BG986	Oshkosh	Rubber Washer for Sight Glass Tube	link

1134134



6HA647



PART #	BRAND	DESCRIPTION	LINK
1134134	Oshkosh	Brass Sight Gauge Washer	link

PART #	BRAND	DESCRIPTION	LINK
6HA647	Oshkosh	Upper Valve	link



0001009

PART #	BRAND	DESCRIPTION	LINK
0001009	McNeilus	2in Ball Valve	link



3481756

PART #	BRAND	DESCRIPTION	LINK
3481756	McNeilus	.5in Threaded Brass Ball Valve	link



0108504

PART #	BRAND	DESCRIPTION	LINK
0108504	McNeilus	Ball Valve - 1in NPT Spring Return	link



1141719

PART #	BRAND	DESCRIPTION	LINK
1141719	McNeilus	1in Ball Valve	link



3480335

PART #	BRAND	DESCRIPTION	LINK
3480335	Oshkosh	.75in Ball Valve	link



0001001

PART #	BRAND	DESCRIPTION	LINK
0001001	McNeilus	Ball Valve	link



3481756

PART #	BRAND	DESCRIPTION	LINK
3481756	Oshkosh	.5in Threaded Brass Ball Valve	link



2067490

PART #	BRAND	DESCRIPTION	LINK
2067490	Oshkosh	Water Meter	link



1574774



1565792

PART #	BRAND	DESCRIPTION	LINK
1574774	Oshkosh	Water Tank 150 Gallon Steel Dual Fill with Feet	link

PART #	BRAND	DESCRIPTION	LINK
1565792	Oshkosh	Aluminum Dual Fill Water Tank	link



3207398

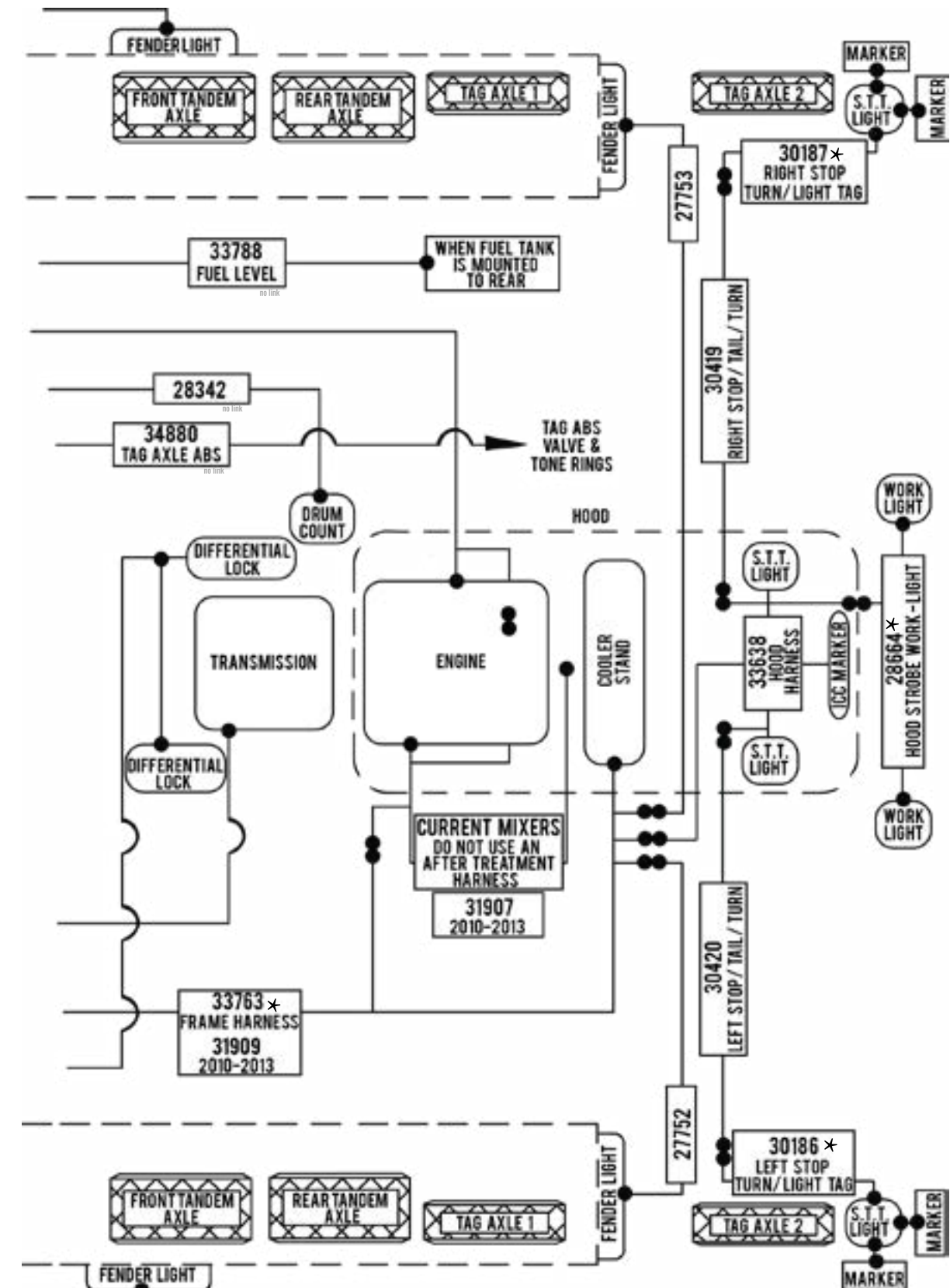
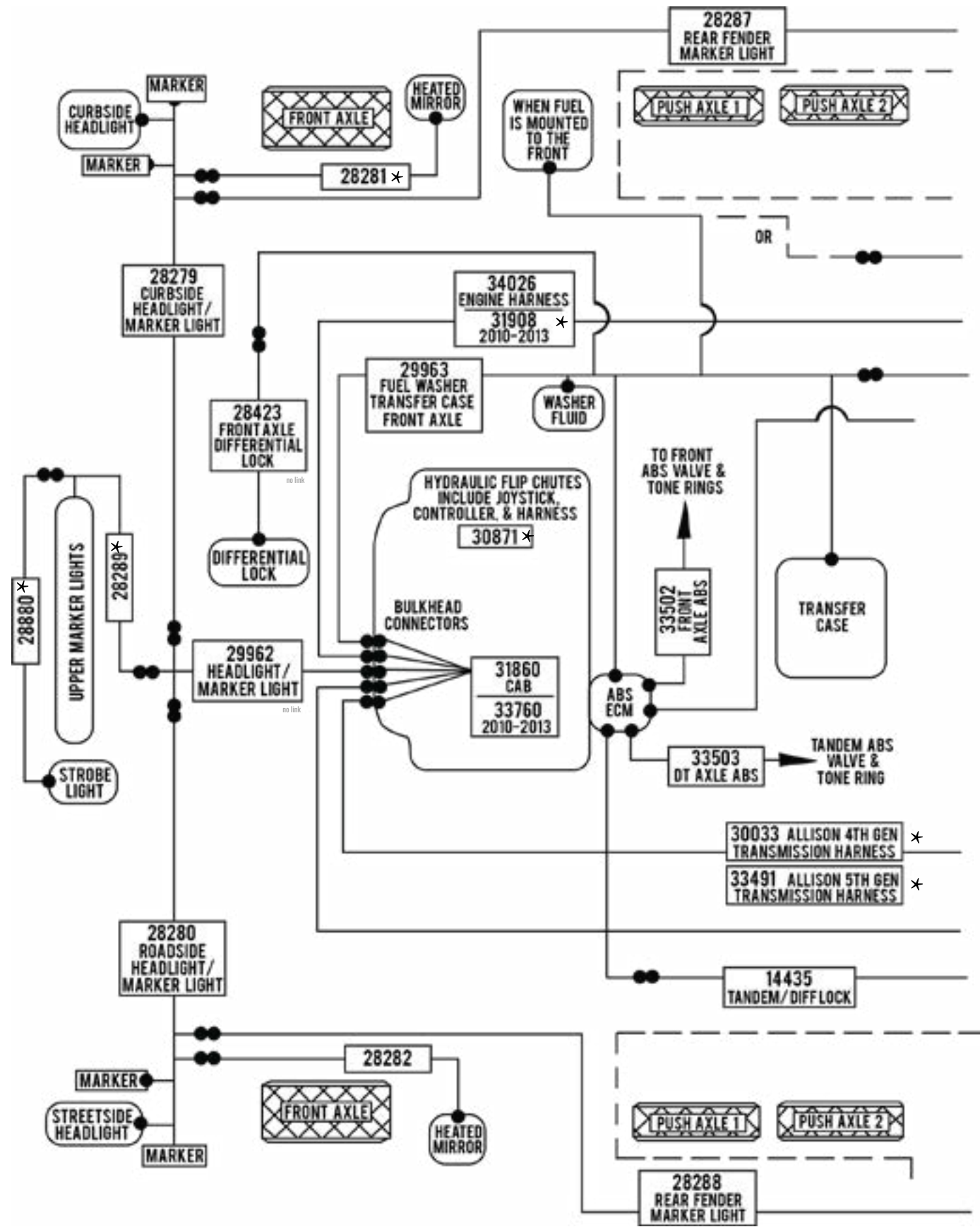


1574780

PART #	BRAND	DESCRIPTION	LINK
3207398	Oshkosh	150 Gallon Aluminum Dual Fill Water Tank	link

PART #	BRAND	DESCRIPTION	LINK
1574780	Oshkosh	200 Gallon Steel Water Tank with Feet - Dual Fill	link

PAGE
INTENTIONALLY
LEFT
BLANK



TEREX ISX WIRING HARNESS
 * HAS A PIC, SEE BELOW



28281



28880



30871



28282

PART #	BRAND	DESCRIPTION	LINK
28281	Terex	Curbside Heated Mirror Harness	link

PART #	BRAND	DESCRIPTION	LINK
28880	Terex	Front Strobe/ Worklight Harness	link

PART #	BRAND	DESCRIPTION	LINK
30871	Terex	Harness for Electric Over Hydraulic Chute Control W/ Trans Select	link

PART #	BRAND	DESCRIPTION	LINK
28282	Terex	Roadside Heated Mirror Harness	link



28289



31908



30033



33491

PART #	BRAND	DESCRIPTION	LINK
28289	Terex	Front Marker/ Strobe/ Worklight Harness	link

PART #	BRAND	DESCRIPTION	LINK
31908	Terex	Engine Frame Harness	link

PART #	BRAND	DESCRIPTION	LINK
30033	Terex	Transmission Wiring Harness Post 2006	link

PART #	BRAND	DESCRIPTION	LINK
33491	Terex	Transmission Wiring Harness Post 2006	link



PART #	BRAND	DESCRIPTION	LINK
33763	Terex	Transmission Wiring Harness Post 2006	link

28664



PART #	BRAND	DESCRIPTION	LINK
28664	Terex	Light and Strobe Wire Harness	link



PART #	BRAND	DESCRIPTION	LINK
30187	Terex	Marker/Stop/Turn Curbside Tag Fender Harness	link

30186



PART #	BRAND	DESCRIPTION	LINK
30186	Terex	Marker/Stop/Turn Roadside Tag Fender Harness	link

PART #	BRAND	DESCRIPTION	LINK
28279	Terex	Headlight/Marker/Drum Harness	link
28280	Terex	Headlight/ Marker Light Harness	link
29963	Terex	2007 Washer/ Fuel/ Front Axle/ Transfer Case Harness	link
34026	Terex	MY13 ISX Engine Harness	link
28287	Terex	Rear Curbside Fender Marker Harness	link
31860	Terex	MY09 Standard Cab Wire Harness	link
33760	Terex	Standard Cab Wire Harness	link
33502	Terex	Front Axle ABS Wire Harness MY12	link
33503	Terex	DT Axle ABS Wire Harness MY12	link
27753	Terex	Rear Curbside Stop /Tail /Turn Harness Light	link
30419	Terex	Right Stop/ Turn Light Tag Fender Harness	link
33638	Terex	Hood Harness	link
30420	Terex	Left Stop/ Turn Light Tag Fender Harness	link
14435	Terex	Differential Lock Tandem Axle Harness	link
31909	Terex	Engine Harness	link
27752	Terex	Rear Roadside Stop /Tail /Turn Harness Light	link
28288	Terex	Rear Roadside Fender Marker Harness	link

END TEREX ISX WIRING HARNESS

TEREX MTU WIRING HARNESS



33738



32337

PART #	BRAND	DESCRIPTION	LINK	PART #	BRAND	DESCRIPTION	LINK
33738	Terex	Engine Harness DD13 EPA 2013 Replacement	link	32337	Terex	Engine Harness DD13 GHG17	link

PART #	BRAND	DESCRIPTION	LINK
33760	Terex	Standard Cab Wire Harness	link
33762	Terex	DD13 After Treatment Wire Harness EPA2013	link
28280	Terex	Head Light/Marker Light Harness	link

END TEREX MTU WIRING HARNESS

TEREX MIXER LIGHTING



13466



24979

PART #	BRAND	DESCRIPTION	LINK	PART #	BRAND	DESCRIPTION	LINK
13466	Terex	Rectangular Halogen Headlight Assembly with Chrome Bezel	link	24979	Terex	Amber LED Oval Side Turn Signal Light Yellow	link

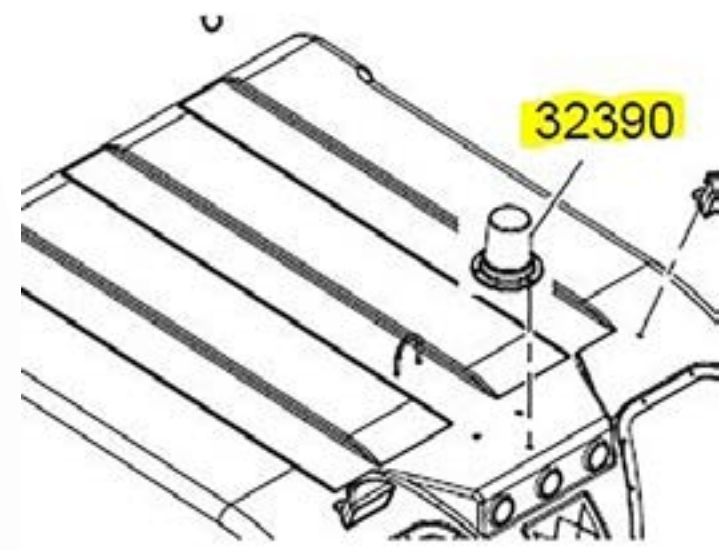


23596



13773

PART #	BRAND	DESCRIPTION	LINK	PART #	BRAND	DESCRIPTION	LINK
23596	Terex	Amber LED Lamp Park/Turn Oval Yellow Light	link	13773	Terex	6in Oval Light Grommet	link



PART #	BRAND	DESCRIPTION	LINK
11522	Terex	7in x 16in Stainless Steel Heated Mirror	link

PART #	BRAND	DESCRIPTION	LINK
32390	Terex	Led Strobe Light - Class 1	link

PART #	BRAND	DESCRIPTION	LINK
19537	Terex	2.5in Open Back Recess Mount Light Grommet	link

PART #	BRAND	DESCRIPTION	LINK
40661	Terex	Red Grommet Mount LED Light	link

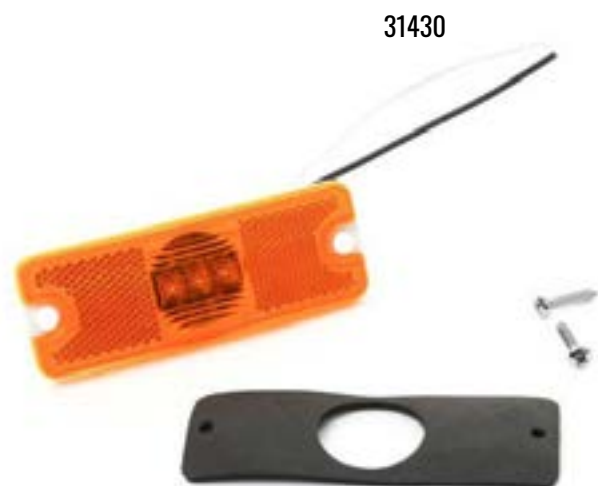


PART #	BRAND	DESCRIPTION	LINK
23212	Terex	23212 Top Mount Composite Work Light	link

PART #	BRAND	DESCRIPTION	LINK
23597	Terex	Amber LED Light	link

PART #	BRAND	DESCRIPTION	LINK
40663	Terex	4in Rubber Light Lamp Grommet	link

PART #	BRAND	DESCRIPTION	LINK
23598	Terex	4.5in LED M/C Plug #6 Ring Terminal	link



PART #	BRAND	DESCRIPTION	LINK
31430	Terex	1in x 4in Amber LED Marker Clearance Light	link

PART #	BRAND	DESCRIPTION	LINK
23601	Terex	Fit N Forget Stop Turn Tail Plug	link

PART #	BRAND	DESCRIPTION	LINK
30233	Terex	LED License Plate Light	link

PART #	BRAND	DESCRIPTION	LINK
30129	Terex	1in x 4in Red LED Marker Clearance Light	link



PART #	BRAND	DESCRIPTION	LINK
33606	Terex	4in Round LED Back-Up Light	link

PART #	BRAND	DESCRIPTION	LINK
33605	Terex	2.5in Round LED Marker Light - Red	link

PART #	BRAND	DESCRIPTION	LINK
14771	Terex	Oval 1.9in x 4.4in Marker Reflector	link

END TEREX MIXER LIGHTING

TEREX L9 WIRING HARNESS



35416



37095

PART #	BRAND	DESCRIPTION	LINK
35416	Terex	Transmission Wiring Harness Post 2006	link

PART #	BRAND	DESCRIPTION	LINK
37095	Terex	Frame Harness	link



35630

PART #	BRAND	DESCRIPTION	LINK
35630	Terex	Hood Light Wiring Harness	link



28664

PART #	BRAND	DESCRIPTION	LINK
28664	Terex	Light and Strobe Wire Harness	link

PART #	BRAND	DESCRIPTION	LINK
35900	Terex	Cummins ECU Engine Harness X12-L9	link
35060	Terex	Cummins Engine Harness 2016 Updates	link
35787	Terex	Heated Mirror Harness Headlight Marker Strobe	link
35788	Terex	Front Fender Headlight/Marker/Turnsignals Harness	link
33502	Terex	Front Axle ABS Wire Harness MY12	link
27753	Terex	Curbside Rear Stop/Tail/Turn Light Harness	link
27752	Terex	Roadside Rear Stop/Tail/Turn Light Harness	link

END TEREX L9 WIRING HARNESS

TEREX CHARGER MIXER LIGHTING



36572



36573

PART #	BRAND	DESCRIPTION	LINK
36572	Terex	7in Round LED Headlight	link

PART #	BRAND	DESCRIPTION	LINK
36573	Terex	7in Round Halogen Headlight Assembly	link



36574



35633

PART #	BRAND	DESCRIPTION	LINK
36574	Terex	Marker Clearance Light Yellow Round With 1 Diode	link

PART #	BRAND	DESCRIPTION	LINK
35633	Terex	3/4in Hood Light	link

14699



36576



PART #	BRAND	DESCRIPTION	LINK
14699	Terex	Round Headlight Assembly	link

PART #	BRAND	DESCRIPTION	LINK
36576	Terex	Charger Light Front/Park/Turn	link

PART #	BRAND	DESCRIPTION	LINK
35632	Terex	Top Hood Grommet	link
36603	Terex	Charger Series Left Hand Fender Jumper Harness	link
36575	Terex	LED Round Red Marker Clearance and Turn Light	link

END TEREX CHARGER MIXER LIGHTING

TEREX 2018 MTU ELECTRICAL MODEL



35081



35080

PART #	BRAND	DESCRIPTION	LINK
35081	Terex	After Treatment DD13 MTU Harness	link

PART #	BRAND	DESCRIPTION	LINK
35080	Terex	After Treatment DD13 MTU Harness	link

END TEREX 2018 MTU ELECTRICAL MODEL

TEREX 2018 MIXER LIGHTING



35014

PART #	BRAND	DESCRIPTION	LINK
35014	Terex	Maxxima LED Headlight Assembly	link



13271

PART #	BRAND	DESCRIPTION	LINK
13271	Terex	Chrome Headlight Trim Bezel Found On The Outside Of The Bumper Wings	link



35631

PART #	BRAND	DESCRIPTION	LINK
35631	Terex	Light Hood 3/4in Penny Aux	link



35634

PART #	BRAND	DESCRIPTION	LINK
35634	Terex	.75in Dual Function Penny Hood Light	link

END TEREX 2018 MIXER LIGHTING

TEREX ELECTRICAL SYSTEM MISC.



PART #	BRAND	DESCRIPTION	LINK
19905	Terex	Wiper Module 2000	link

PART #	BRAND	DESCRIPTION	LINK
21860	Terex	Wiper Headlight Relay Module	link



PART #	BRAND	DESCRIPTION	LINK
32198	Terex	Time Delay Relay	link

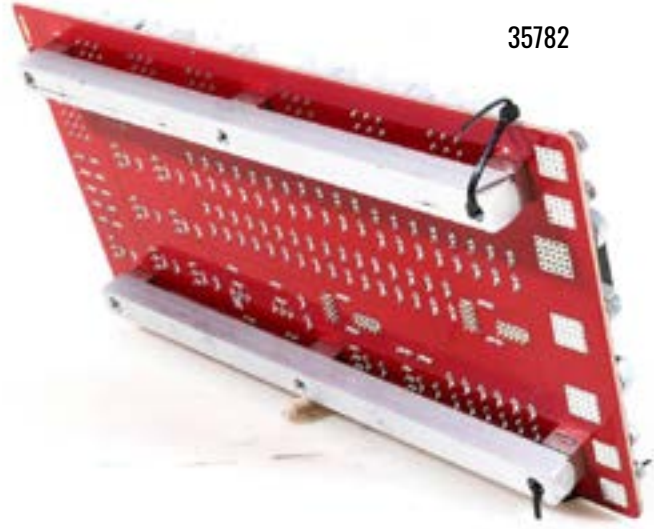
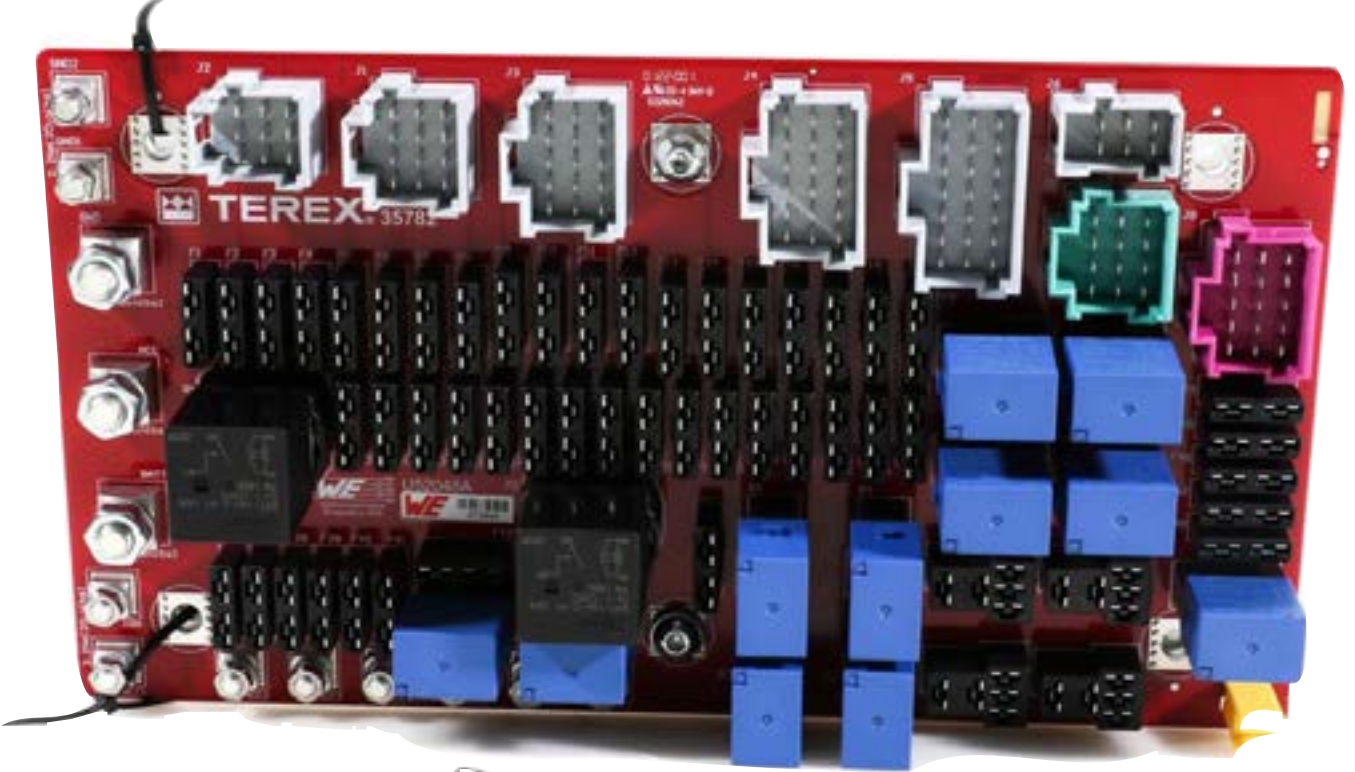
PART #	BRAND	DESCRIPTION	LINK
32876	Terex	Tag Axle Time Delay Control Module Timer	link



PART #	BRAND	DESCRIPTION	LINK
39702	Terex	25 AMP Max Solid State Flasher	link

END TEREX ELECTRICAL SYSTEM MISC.

TEREX 2018 ELECTRICAL PANEL DETAIL



35782

PART #	BRAND	DESCRIPTION	LINK
35782	Terex	Fuse Relay Panel	link

END TEREX 2018 ELECTRICAL PANEL DETAIL

TEREX STANDARD DASH GAUGE PANEL



31530



32085

PART #	BRAND	DESCRIPTION	LINK
31530	Terex	Gauge - Fuel Level - Water Temp - Oil Pressure - Trans Temperature	link

PART #	BRAND	DESCRIPTION	LINK
32085	Terex	MY10 2in DEF Gauge	link



28038



28039

PART #	BRAND	DESCRIPTION	LINK
28038	Terex	Headlight Switch Domelight Push Pull Switch With Dimmer	link

PART #	BRAND	DESCRIPTION	LINK
28039	Terex	Ignition Key Switch	link



28112

28052



28048



28047

PART #	BRAND	DESCRIPTION	LINK
--------	-------	-------------	------

28112	Terex	Accessory Gauge Wiring Pigtail - 7in Long	link
-------	-------	---	----------------------

PART #	BRAND	DESCRIPTION	LINK
--------	-------	-------------	------

28052	Terex	Cruise Control On-Off Rocker Switch 2005	link
-------	-------	--	----------------------

PART #	BRAND	DESCRIPTION	LINK
--------	-------	-------------	------

28048	Terex	On/ Off Brake Switch	link
-------	-------	----------------------	----------------------

PART #	BRAND	DESCRIPTION	LINK
--------	-------	-------------	------

28047	Terex	Green Rocker Switch - High Engine Brake Low - 3 Position	link
-------	-------	--	----------------------



28051

28050



28046



28044



PART #	BRAND	DESCRIPTION	LINK
--------	-------	-------------	------

28051	Terex	Cruise Control Set-Resume Rocker Switch 2005	link
-------	-------	--	----------------------

PART #	BRAND	DESCRIPTION	LINK
--------	-------	-------------	------

28050	Terex	Green 2 Position Rocker Switch - Fan Override	link
-------	-------	---	----------------------

PART #	BRAND	DESCRIPTION	LINK
--------	-------	-------------	------

28046	Terex	Green Rocker Switch - High Engine Brake Low - 2 Position	link
-------	-------	--	----------------------

PART #	BRAND	DESCRIPTION	LINK
--------	-------	-------------	------

28044	Terex	Rocker Switch - Mirror Heat 2 Position	link
-------	-------	--	----------------------



30981



28045

PART #	BRAND	DESCRIPTION	LINK
30981	Terex	Rocker Switch - DPF Regen	link

PART #	BRAND	DESCRIPTION	LINK
28045	Terex	ABS/Engine 3 Position Rocker Switch	link

END TEREX STANDARD DASH GAUGE PANEL

TEREX DASH PANEL CONTROLS



28040

PART #	BRAND	DESCRIPTION	LINK
28040	Terex	Digital Drum Counter With LCD Display	link



32087

PART #	BRAND	DESCRIPTION	LINK
32087	Terex	Gauge Warning Bank - Actia	link



31527

PART #	BRAND	DESCRIPTION	LINK
31527	Terex	48in LIN Harness	link



28083

PART #	BRAND	DESCRIPTION	LINK
28083	Terex	Green Tag Lock Rocker Switch	link



28082



28075



28080



28073

PART #	BRAND	DESCRIPTION	LINK
--------	-------	-------------	------

28082	Terex	Green Push Lock Rocker Switch	link
-------	-------	-------------------------------	----------------------

PART #	BRAND	DESCRIPTION	LINK
--------	-------	-------------	------

28075	Terex	Amber Rocker Air Switch - Transfer Case High-Low	link
-------	-------	--	----------------------

PART #	BRAND	DESCRIPTION	LINK
--------	-------	-------------	------

28080	Terex	Chute Vibrator Rocker Switch	link
-------	-------	------------------------------	----------------------

PART #	BRAND	DESCRIPTION	LINK
--------	-------	-------------	------

28073	Terex	Amber Rocker Air Switch - Inter Axle Engage	link
-------	-------	---	----------------------



28041



28043



28076



28074

PART #	BRAND	DESCRIPTION	LINK
--------	-------	-------------	------

28041	Terex	Front Work Light Rocker Switch - ON 2 Position SPST	link
-------	-------	---	----------------------

PART #	BRAND	DESCRIPTION	LINK
--------	-------	-------------	------

28043	Terex	2 Position Strobe Light Rocker Switch	link
-------	-------	---------------------------------------	----------------------

PART #	BRAND	DESCRIPTION	LINK
--------	-------	-------------	------

28076	Terex	Tandem Differential Rocker Switch	link
-------	-------	-----------------------------------	----------------------

PART #	BRAND	DESCRIPTION	LINK
--------	-------	-------------	------

28074	Terex	Amber Rocker Air Switch - Front Axle Engage	link
-------	-------	---	----------------------



28077



28042

PART #	BRAND	DESCRIPTION	LINK
28077	Terex	Red Rocker Air Switch For Front Differential	link

PART #	BRAND	DESCRIPTION	LINK
28042	Terex	Rear Work Light Rocker Switch - On 2 Position SPST	link

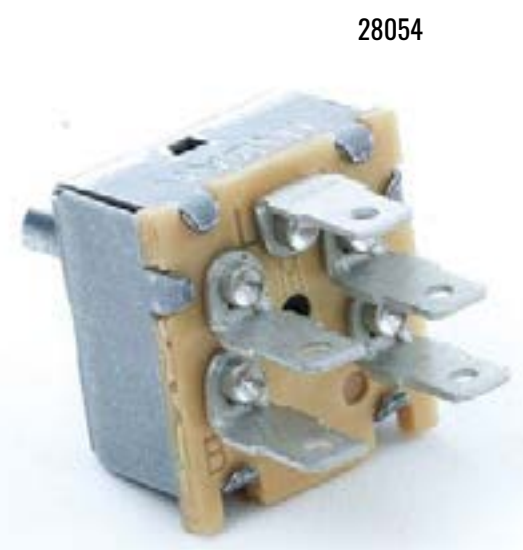
28041



PART #	BRAND	DESCRIPTION	LINK
28041	Terex	Front Work Light Rocker Switch - ON 2 Position SPST	link

END TEREX DASH PANEL CONTROLS

TEREX CLIMATE CONTROLS & GAUGE PANEL



28054



28057

PART #	BRAND	DESCRIPTION	LINK
28054	Terex	3-Speed Heater Switch	link

PART #	BRAND	DESCRIPTION	LINK
28057	Terex	3 Speed Heater Switch Knob	link

19972



PART #	BRAND	DESCRIPTION	LINK
19972	Terex	Blue On/Off Push Button A/C Switch	link

32086



PART #	BRAND	DESCRIPTION	LINK
32086	Terex	Speedometer Gauge	link



31533



28118

PART #	BRAND	DESCRIPTION	LINK
31533	Terex	Tachometer Gauge	link

PART #	BRAND	DESCRIPTION	LINK
28118	Terex	Double Wire Light Socket	link



31525

PART #	BRAND	DESCRIPTION	LINK
31525	Terex	12in LIN Harness	link



31531



28438

PART #	BRAND	DESCRIPTION	LINK
31531	Terex	Electronic Slump Gauge	link

PART #	BRAND	DESCRIPTION	LINK
28438	Terex	Amber Warning Light	link



28109

PART #	BRAND	DESCRIPTION	LINK
28109	Terex	Dual Air Gauge	link



31528

PART #	BRAND	DESCRIPTION	LINK
31528	Terex	94in LIN Harness	link

END TEREX CLIMATE CONTROLS & GAUGE PANEL



23466

PART #	BRAND	DESCRIPTION	LINK
23466	Terex	Radio with CD Player	link
34972	Terex	5.25in Diameter Speaker Pair	link

END TEREX OVERHEAD CONSOLE

TEREX RIGHT SIDE CONSOLE



28088



28089

PART #	BRAND	DESCRIPTION	LINK
28088	Terex	Green Rocker Air Switch - Push Axle 1 Lift	link

PART #	BRAND	DESCRIPTION	LINK
28089	Terex	Green Push Axle 2 Lift Rocker Switch	link

28085



28086



PART #	BRAND	DESCRIPTION	LINK
28085	Terex	Green Rocker Air Switch - Tag Axle 1 Lift	link

PART #	BRAND	DESCRIPTION	LINK
28086	Terex	Green Rocker Air Switch - Tag Axle 2 Lift	link



30380



28081



28102



12453

PART #	BRAND	DESCRIPTION	LINK
30380	Terex	Green Rocker Air Switch - For 30346 Add Water Valve	link

PART #	BRAND	DESCRIPTION	LINK
28081	Terex	Water Tank Rocker Air Switch	link

PART #	BRAND	DESCRIPTION	LINK
28102	Terex	Replacement 12V Lighter Outlet	link

PART #	BRAND	DESCRIPTION	LINK
12453	Terex	12VDC Low Air Warning Buzzer	link



28684



30662

34968

no pic

PART #	BRAND	DESCRIPTION	LINK
28684	Terex	Green Tag Down Empty Rocker Switch	link

PART #	BRAND	DESCRIPTION	LINK
30662	Terex	Rocker Switch On-On Trans Select	link

PART #	BRAND	DESCRIPTION	LINK
34968	Terex	12 Volt Chime Seat Belt Warning	link

END TEREX RIGHT SIDE CONSOLE

TEREX WORKSPACE GAUGE PANEL DASH



31526

PART #	BRAND	DESCRIPTION	LINK
31526	Terex	24in LIN Harness	link

END TEREX WORKSPACE GAUGE PANEL DASH

TEREX WORKSPACE AUXILIARY PANEL



28286

PART #	BRAND	DESCRIPTION	LINK
28286	Terex	Electric Push Button Shifter Selector Assembly	link



28078

PART #	BRAND	DESCRIPTION	LINK
28078	Terex	Red Rocker Air Switch For All Wheel Brake	link



30316

PART #	BRAND	DESCRIPTION	LINK
30316	Terex	Amber Water Tank Dry Air Switch	link

END TEREX WORKSPACE AUXILIARY PANEL

TEREX OVERHEAD PANEL WORKSPACE



28439

PART #	BRAND	DESCRIPTION	LINK
28439	Terex	Dome Light	link

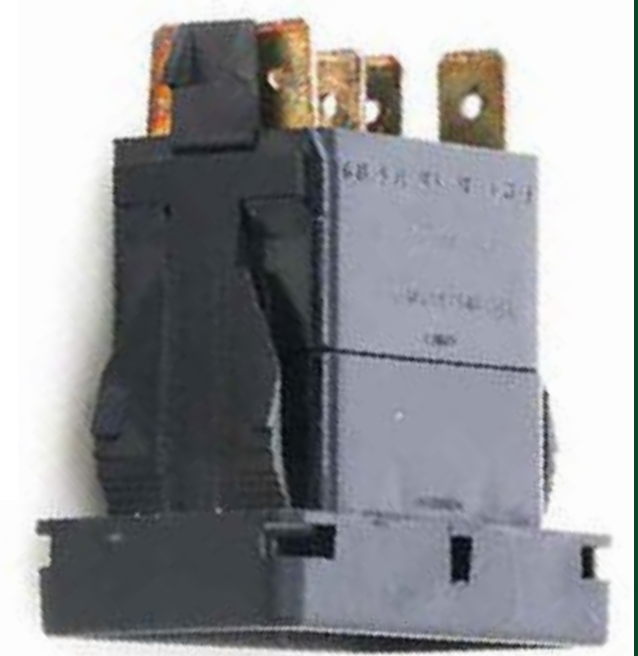
END TEREX OVERHEAD PANEL WORKSPACE

TEREX FORWARD ASSEMBLY DASH 2018 STANDARD CAB

34034



PART #	BRAND	DESCRIPTION	LINK
34034	Terex	Push Button Shifter Selector	link



19926

PART #	BRAND	DESCRIPTION	LINK
19926	Terex	Jake Switch 1-2-3, Hi-Med-Low	link

END TEREX FORWARD ASSEMBLY DASH 2018 STANDARD CAB

TEREX CLIMATE CONTROLS & GAUGE PANEL



35589

PART #	BRAND	DESCRIPTION	LINK
35589	Terex	A/C Rocker Switch MY19	link

END TEREX CLIMATE CONTROLS & GAUGE PANEL

TEREX OVERHEAD CONSOLE



34656

PART #	BRAND	DESCRIPTION	LINK
34656	Terex	Electric Slump Meter Gauge MY14	link

END TEREX OVERHEAD CONSOLE

34972

no pic

no pic

35061

PART #	BRAND	DESCRIPTION	LINK
34972	Terex	5.25in Diameter Speaker Pair	link

PART #	BRAND	DESCRIPTION	LINK
35061	Terex	500KB Data Speedometer	link

595102

595101



PART #	BRAND	DESCRIPTION	LINK
595101	Indiana Phoenix	2-Position Rocker Switch	link

PART #	BRAND	DESCRIPTION	LINK
595102	Indiana Phoenix	Joystick Drum Stop Switch	link

595103

no pic

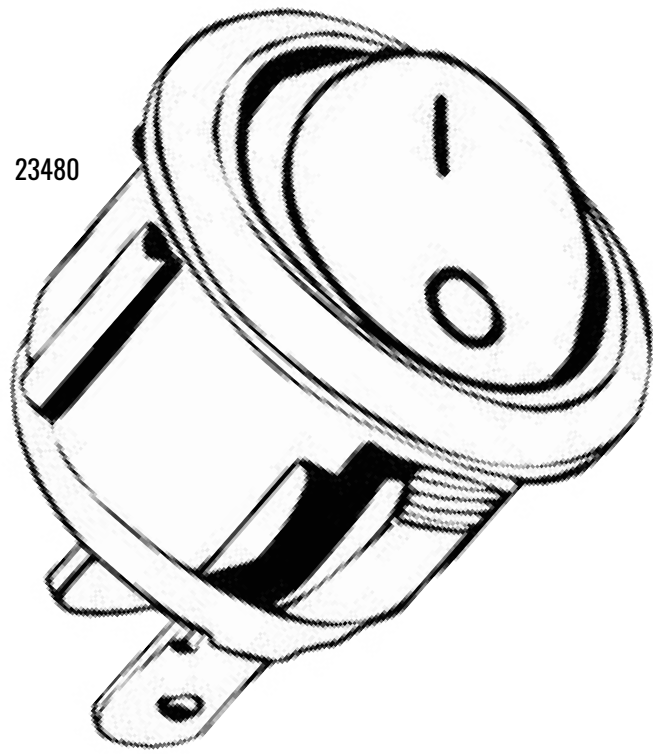


34721



PART #	BRAND	DESCRIPTION	LINK
595103	Indiana Phoenix	Joystick Charge/Discharge Switch	link

PART #	BRAND	DESCRIPTION	LINK
34721	Indiana Phoenix	Push Button Switch	link



23480



20710

292100

no pic

21690

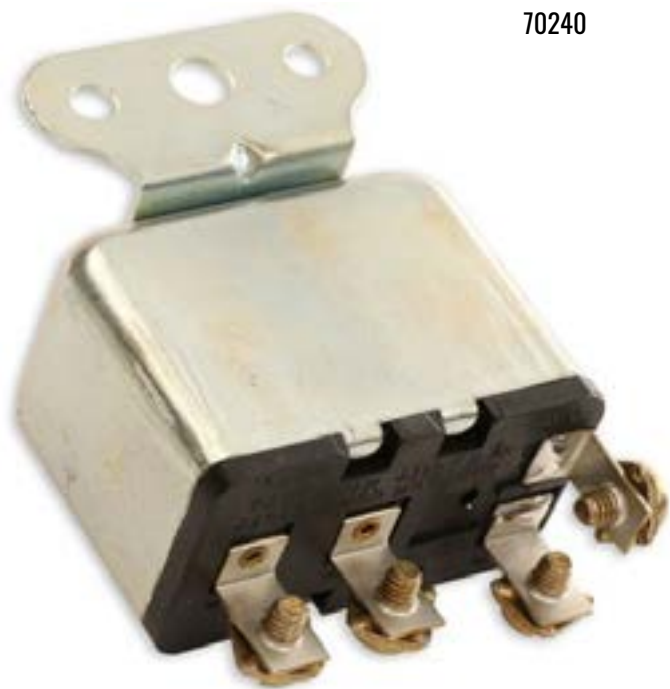


PART #	BRAND	DESCRIPTION	LINK
23480	Indiana Phoenix	Floor Mount Joystick Drum Control Stop Rocker Switch	link

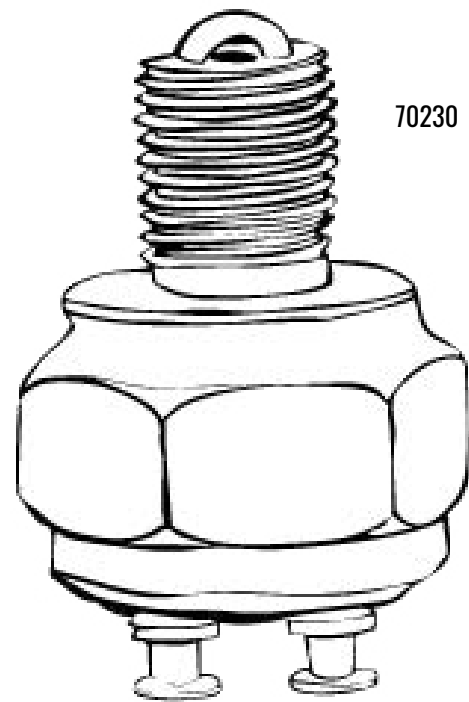
PART #	BRAND	DESCRIPTION	LINK
20710	Indiana Phoenix	Wiper Switch	link

PART #	BRAND	DESCRIPTION	LINK
292100	Indiana Phoenix	Dome Light Bulb	link

PART #	BRAND	DESCRIPTION	LINK
21690	Indiana Phoenix	On-Off-On Momentary Rocker Switch	link



70240



70230

21700



73240



PART #	BRAND	DESCRIPTION	LINK
70240	Indiana Phoenix	Relay	link

PART #	BRAND	DESCRIPTION	LINK
70230	Indiana Phoenix	Ball Switch	link

PART #	BRAND	DESCRIPTION	LINK
21700	Indiana Phoenix	Rocker Switch	link

PART #	BRAND	DESCRIPTION	LINK
73240	Indiana Phoenix	On-Off Toggle Switch	link



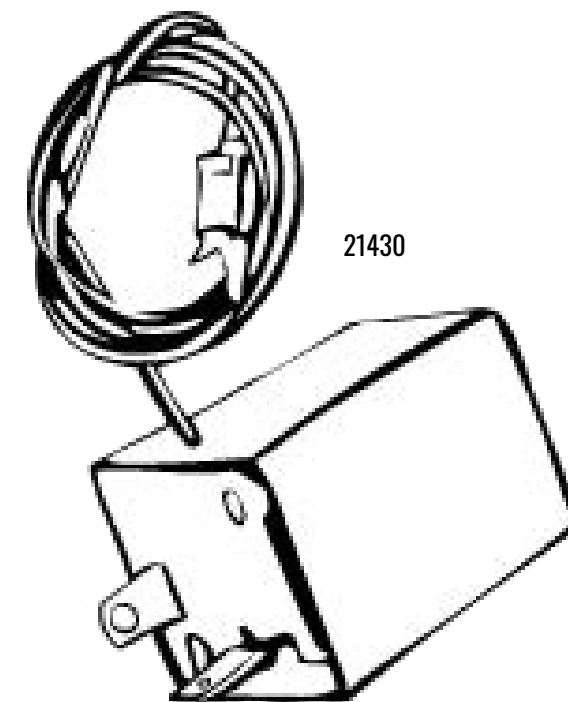
70340



695101



80540



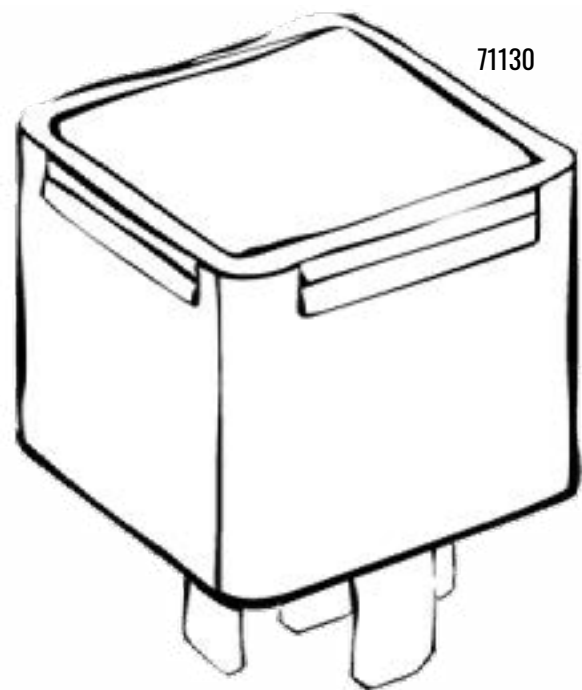
21430

PART #	BRAND	DESCRIPTION	LINK
70340	Indiana Phoenix	Universal Warning Buzzer	link

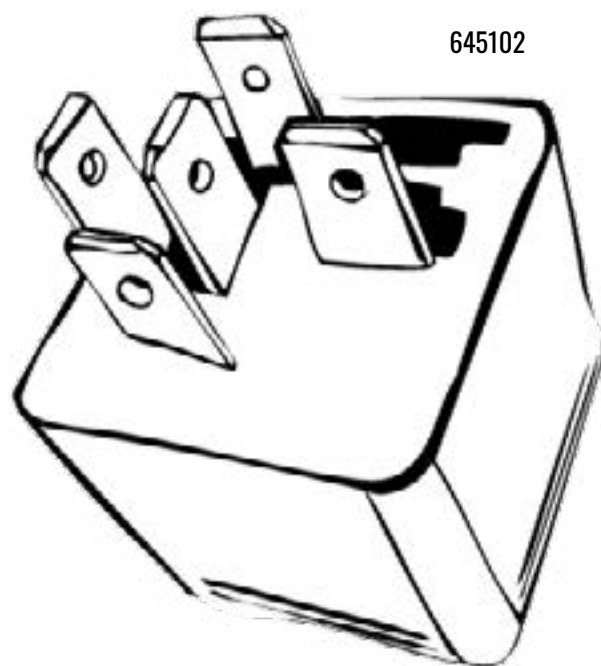
PART #	BRAND	DESCRIPTION	LINK
695101	Indiana Phoenix	Low Air Warning Electric Buzzer	link

PART #	BRAND	DESCRIPTION	LINK
80540	Indiana Phoenix	Heavy Duty Flasher	link

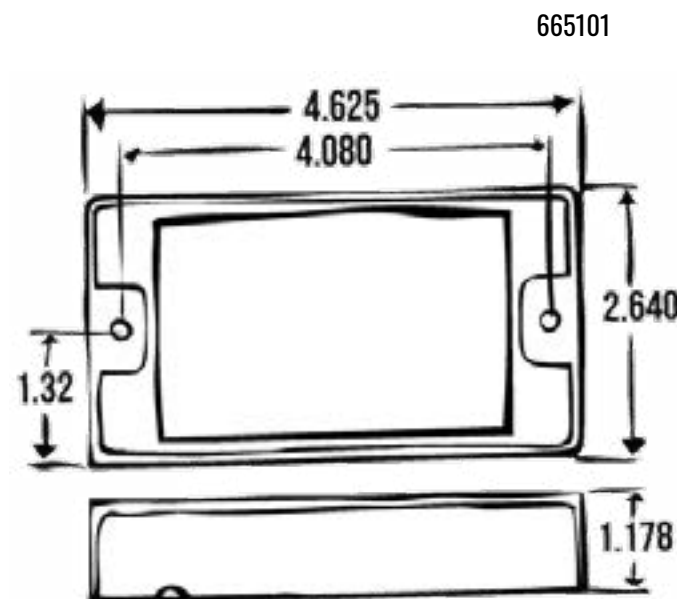
PART #	BRAND	DESCRIPTION	LINK
21430	Indiana Phoenix	Solid State LED Flasher	link



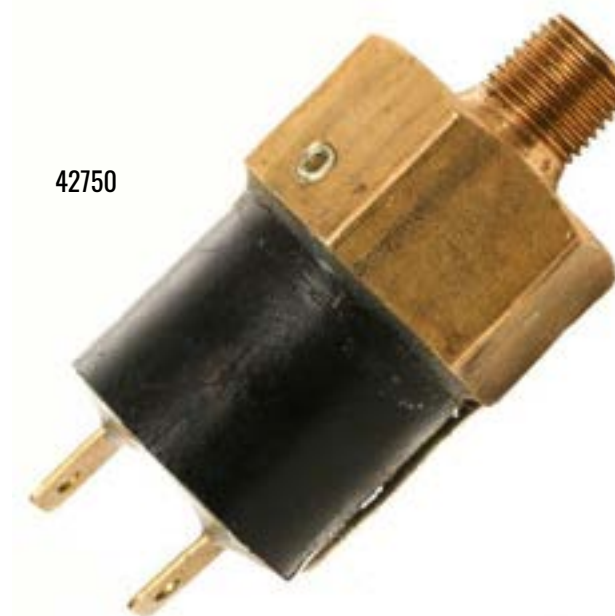
71130



645102



665101



42750

PART #	BRAND	DESCRIPTION	LINK
71130	Indiana Phoenix	Relay	link

PART #	BRAND	DESCRIPTION	LINK
645102	Indiana Phoenix	Relay	link

PART #	BRAND	DESCRIPTION	LINK
665101	Indiana Phoenix	Module	link

PART #	BRAND	DESCRIPTION	LINK
42750	Indiana Phoenix	Cruise Control Pressure Switch	link
70630	Indiana Phoenix	Neutral Pressure Switch Normally Open	link



70640



70040



41811



80100

PART #	BRAND	DESCRIPTION	LINK
70640	Indiana Phoenix	Pressure Switch Normally Closed	link

PART #	BRAND	DESCRIPTION	LINK
70040	Indiana Phoenix	Cab Ignition Switch - Post 2002	link

PART #	BRAND	DESCRIPTION	LINK
41811	Indiana Phoenix	License Plate Light	link

PART #	BRAND	DESCRIPTION	LINK
80100	Indiana Phoenix	Red Stop Turn Tail Light	link



51880



41810



80110



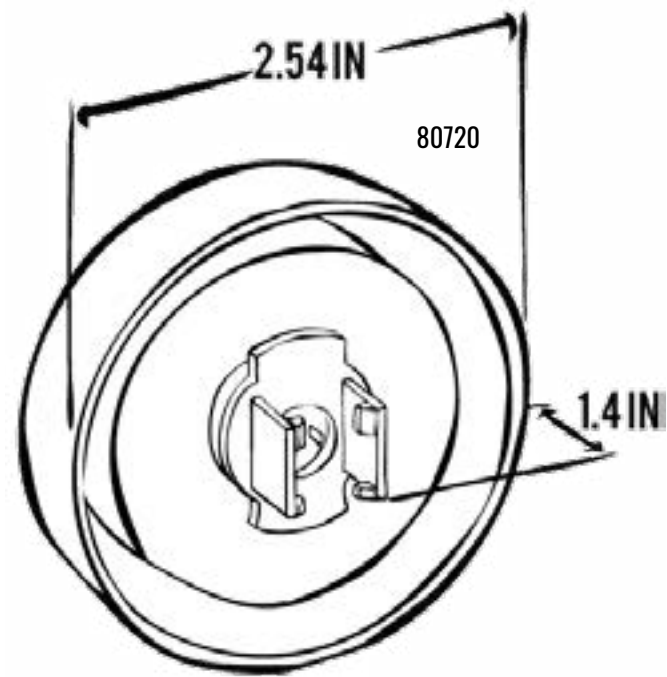
80240

PART #	BRAND	DESCRIPTION	LINK
51880	Indiana Phoenix	Meritor Axle DCGL Switch	link

PART #	BRAND	DESCRIPTION	LINK
41810	Indiana Phoenix	License Light w/ Bracket & Gasket	link

PART #	BRAND	DESCRIPTION	LINK
80110	Indiana Phoenix	Amber Marker Light	link

PART #	BRAND	DESCRIPTION	LINK
80240	Indiana Phoenix	Light Mount Grommet	link



PART #	BRAND	DESCRIPTION	LINK
--------	-------	-------------	------

80720	Indiana Phoenix	LED Amber Round Marker Light	link
-------	-----------------	------------------------------	----------------------

PART #	BRAND	DESCRIPTION	LINK
--------	-------	-------------	------

80730	Indiana Phoenix	LED Red Round Marker Light	link
-------	-----------------	----------------------------	----------------------

PART #	BRAND	DESCRIPTION	LINK
--------	-------	-------------	------

80830	Indiana Phoenix	2.5in Open Back Recess Mount Light Grommet	link
-------	-----------------	--	----------------------

PART #	BRAND	DESCRIPTION	LINK
--------	-------	-------------	------

80850	Indiana Phoenix	2.5in Red Incandescent Marker Light	link
-------	-----------------	-------------------------------------	----------------------



PART #	BRAND	DESCRIPTION	LINK
--------	-------	-------------	------

80750	Indiana Phoenix	2.5in Red Oval LED Stop/Turn Light	link
-------	-----------------	------------------------------------	----------------------

PART #	BRAND	DESCRIPTION	LINK
--------	-------	-------------	------

80760	Indiana Phoenix	LED Oval Pigtail Harness	link
-------	-----------------	--------------------------	----------------------

PART #	BRAND	DESCRIPTION	LINK
--------	-------	-------------	------

2HB565	Oshkosh	Red Start Stop Joystick Button Switch	link
--------	---------	---------------------------------------	----------------------

PART #	BRAND	DESCRIPTION	LINK
--------	-------	-------------	------

2HB727	Oshkosh	Rocker Switch Green Lens Applique-Engine RPM	link
--------	---------	--	----------------------

2HC101



2HD907

4260942



3271476

PART #	BRAND	DESCRIPTION	LINK
2HC101	Oshkosh	Cab Heater Motor for 1999+ Oshkosh Mixers	link

PART #	BRAND	DESCRIPTION	LINK
2HD907	Oshkosh	Control Knob	link

PART #	BRAND	DESCRIPTION	LINK
4260942	Oshkosh	Rectangular Headlight Assembly	link

PART #	BRAND	DESCRIPTION	LINK
3271476	Oshkosh	Drum Counter Proximity Switch Sensor	link

3192746



3281889



3808452

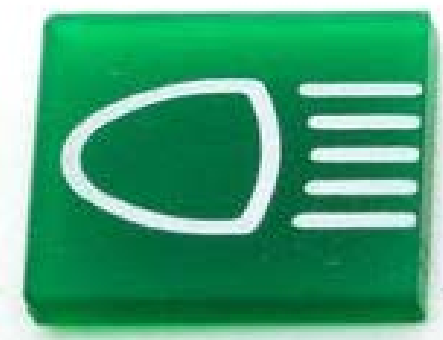


PART #	BRAND	DESCRIPTION	LINK
3192746	Oshkosh	Heavy Duty Flasher - High Current 12-24V	link

PART #	BRAND	DESCRIPTION	LINK
3281889	Oshkosh	Air Hopper Pressure Switch	link

PART #	BRAND	DESCRIPTION	LINK
3808452	Oshkosh	Air Hopper Pressure Switch	link

2HB728



7HB116



3808453



9HE41

PART #	BRAND	DESCRIPTION	LINK
2HB728	Oshkosh	Rocker Switch Green Lens Applique-Engine RPM Off/On	link

PART #	BRAND	DESCRIPTION	LINK
7HB116	Oshkosh	Head Light Applique	link

PART #	BRAND	DESCRIPTION	LINK
3808453	Oshkosh	Normally Closed Pressure Switch	link

PART #	BRAND	DESCRIPTION	LINK
9HE41	Oshkosh	Cab Chute Control Joystick Switch	link

2HB729



3107716



9HE42



1999140W



PART #	BRAND	DESCRIPTION	LINK
2HB729	Oshkosh	Green Lens For Rocker Switch - Engine Fan Override	link

PART #	BRAND	DESCRIPTION	LINK
3107716	Oshkosh	Push Button Shifter	link

PART #	BRAND	DESCRIPTION	LINK
9HE42	Oshkosh	Control Joystick Red Button Switch	link

PART #	BRAND	DESCRIPTION	LINK
1999140W	Oshkosh	Turn Signal Switch With Dimmer Switch and Clamp	link



1584190



2CC447



4KP646PIGTAIL



1775810

PART #	BRAND	DESCRIPTION	LINK
1584190	Oshkosh	Cab Headlight Rocker Switch	link

PART #	BRAND	DESCRIPTION	LINK
2CC447	Oshkosh	3 Speed Heater Switch	link

PART #	BRAND	DESCRIPTION	LINK
4KP646PIGTAIL	Oshkosh	Transmission Turbine Speed Sensor Pigtail	link

PART #	BRAND	DESCRIPTION	LINK
1775810	Oshkosh	Cab Ignition Switch	link



2172050



4KP646



8HA292



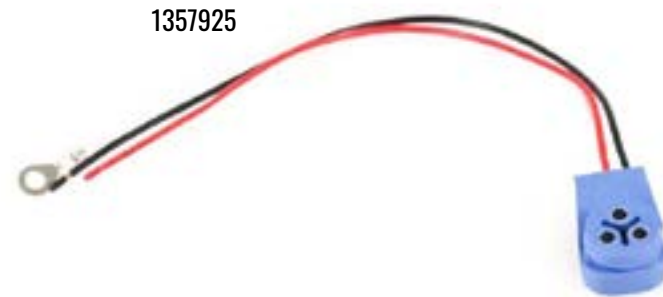
7HE635

PART #	BRAND	DESCRIPTION	LINK
2172050	Oshkosh	Transfer Case Safety Neutral Switch	link

PART #	BRAND	DESCRIPTION	LINK
4KP646	Oshkosh	Input Speed Sensor	link

PART #	BRAND	DESCRIPTION	LINK
8HA292	Oshkosh	Switch	link

PART #	BRAND	DESCRIPTION	LINK
7HE635	Oshkosh	Brake Light Switch	link



PART #	BRAND	DESCRIPTION	LINK
1539593	Oshkosh	Drum Counter Proximity Switch Sensor	link

PART #	BRAND	DESCRIPTION	LINK
1357925	Oshkosh	Pigtail Plug 90 Degree 3 Wire	link

PART #	BRAND	DESCRIPTION	LINK
1HA125	Oshkosh	Severe Duty Oil Pressure Sending Unit	link

PART #	BRAND	DESCRIPTION	LINK
2216060	Oshkosh	On Off Sealed Toggle Switch	link



PART #	BRAND	DESCRIPTION	LINK
1539593	Oshkosh	Drum Counter Proximity Switch Sensor	link

PART #	BRAND	DESCRIPTION	LINK
3196653	Oshkosh	Driveline Control Panel	link

PART #	BRAND	DESCRIPTION	LINK
2HG719	Oshkosh	Switch 12V Lamp	link

PART #	BRAND	DESCRIPTION	LINK
1262347	Oshkosh	Pressure Switch	link



PART #	BRAND	DESCRIPTION	LINK
3KP89	Oshkosh	Control Joystick Switch - Red	link

PART #	BRAND	DESCRIPTION	LINK
3414602	Oshkosh	Precision Ball Switch - N.O. with Sealed Terminals	link

PART #	BRAND	DESCRIPTION	LINK
3470443	Oshkosh	Red LED Stop-Tail-Turn Light Lamp - 4in	link

PART #	BRAND	DESCRIPTION	LINK
A000V711	Oshkosh	Half Toggle Switch Boot with Black Guard	link



7HD754
no pic

PART #	BRAND	DESCRIPTION	LINK
1529534	Oshkosh	Headlight and Domelight Push Pull Switch with Dimmer	link

PART #	BRAND	DESCRIPTION	LINK
1142693	Oshkosh	On-Off ABS Diagram Switch	link

PART #	BRAND	DESCRIPTION	LINK
3262974	Oshkosh	Amber Reflector - 2in Round Center Hole Mount Yellow	link

PART #	BRAND	DESCRIPTION	LINK
7HD754	Oshkosh	Ball Switch	link

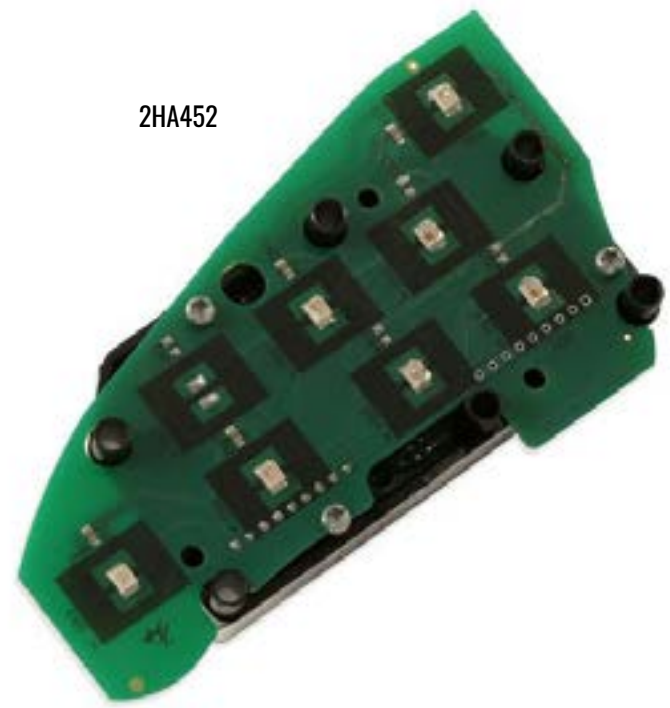


PART #	BRAND	DESCRIPTION	LINK
7HB434	Oshkosh	Control Joystick Switch - Red	link

PART #	BRAND	DESCRIPTION	LINK
0128108	Oshkosh	Amber LED Light	link

PART #	BRAND	DESCRIPTION	LINK
8KK834	Oshkosh	On-Off-On Rocker Switch	link

PART #	BRAND	DESCRIPTION	LINK
3043395	Oshkosh	2.5-Inch Red LED Light	link



PART #	BRAND	DESCRIPTION	LINK
3375163	Oshkosh	Non Tilt Turn Signal Switch	link

PART #	BRAND	DESCRIPTION	LINK
2HA452	Oshkosh	Module, Warning Bank W/O Air	link

PART #	BRAND	DESCRIPTION	LINK
59997AX	Oshkosh	Oil Pressure Alarm Sender Switch	link

PART #	BRAND	DESCRIPTION	LINK
3KK112	Oshkosh	Turn Signal Switch - Wiper,Washer,Dimmer	link



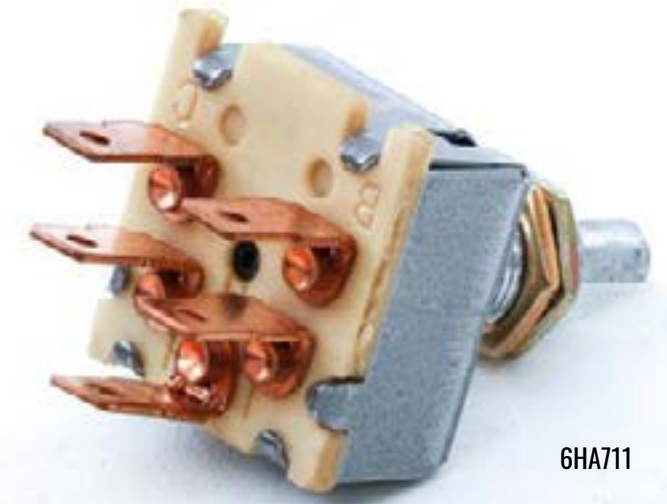
3382854



10999GX



3420540



6HA711

PART #	BRAND	DESCRIPTION	LINK
3382854	Oshkosh	Amber LED Lamp Park/Turn Oval Yellow Light	link

PART #	BRAND	DESCRIPTION	LINK
10999GX	Oshkosh	10 AMP Circuit Breaker	link

PART #	BRAND	DESCRIPTION	LINK
3420540	Oshkosh	Low Coolant Sensor	link

PART #	BRAND	DESCRIPTION	LINK
6HA711	Oshkosh	Three Speed Heater Switch	link



2066070



3662336



4HS508



2CP777

PART #	BRAND	DESCRIPTION	LINK
2066070	Oshkosh	Door Switch With Actuator	link

PART #	BRAND	DESCRIPTION	LINK
3662336	Oshkosh	Solid State Flasher	link

PART #	BRAND	DESCRIPTION	LINK
4HS508	Oshkosh	Safety Neutral Switch	link

PART #	BRAND	DESCRIPTION	LINK
2CP777	Oshkosh	3 Speed 3 Terminal 12V Heater Resistor	link



PART #	BRAND	DESCRIPTION	LINK
8HD60	Oshkosh	Throttle Position Sensor Kit	link

PART #	BRAND	DESCRIPTION	LINK
3315476	Oshkosh	Marker Light Turn Amber 6in Oval	link

PART #	BRAND	DESCRIPTION	LINK
6HA344	Oshkosh	Blower Motor	link

PART #	BRAND	DESCRIPTION	LINK
2HD577	Oshkosh	Air Motor for Hood Lift Pumps	link



PART #	BRAND	DESCRIPTION	LINK
1HB754	Oshkosh	Cab Heater Resistor	link

PART #	BRAND	DESCRIPTION	LINK
1476110	Oshkosh	Engine Cooling System Temperature Sending Unit	link

PART #	BRAND	DESCRIPTION	LINK
2267520	Oshkosh	Thermal Switch	link

PART #	BRAND	DESCRIPTION	LINK
7KP549	Oshkosh	Chute Up/Down Solenoid Coil	link



2154010



A000F676

PART #	BRAND	DESCRIPTION	LINK
2154010	Oshkosh	Dual Coil Speed Sensor for Cummins Engines	link

PART #	BRAND	DESCRIPTION	LINK
A000F676	Oshkosh	4in Rubber Light Lamp Grommet	link



1577540



3812613

PART #	BRAND	DESCRIPTION	LINK
1577540	Oshkosh	License Light w/ Bracket & Gasket	link

PART #	BRAND	DESCRIPTION	LINK
3812613	Oshkosh	Ambient Air Temperature Sensor	link

3370653



PART #	BRAND	DESCRIPTION	LINK
3370653	Oshkosh	Heavy Duty Solid State Flasher 12-24V Ultra Flash II	link

51314AX



PART #	BRAND	DESCRIPTION	LINK
51314AX	Oshkosh	Backup Reverse Light Switch	link

6HA706



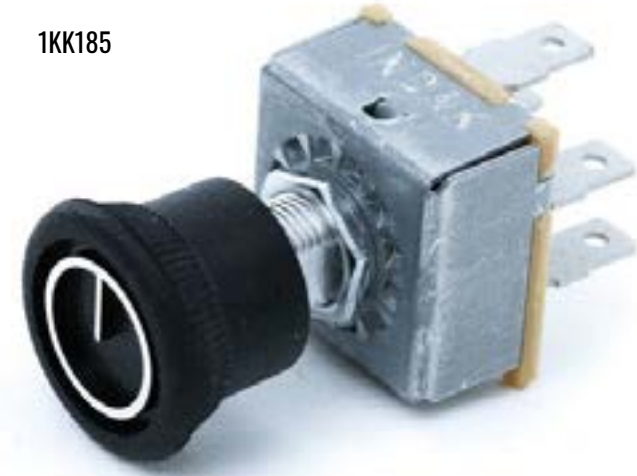
PART #	BRAND	DESCRIPTION	LINK
6HA706	Oshkosh	On/ Off Switch	link

3414603



PART #	BRAND	DESCRIPTION	LINK
3414603	Oshkosh	Precision Ball Switch - N.C. with Sealed Terminals	link

1KK185



2HB62



9HA235



5HD89



PART #	BRAND	DESCRIPTION	LINK
1KK185	Oshkosh	Heater Blower Switch - 3 Position	link

PART #	BRAND	DESCRIPTION	LINK
2HB62	Oshkosh	Fuse Panel	link

PART #	BRAND	DESCRIPTION	LINK
9HA235	Oshkosh	Black Full Toggle Switch Boot	link

PART #	BRAND	DESCRIPTION	LINK
5HD89	Oshkosh	Heater Motor	link

4KP650



6HD719



3315476



6HA356



PART #	BRAND	DESCRIPTION	LINK
4KP650	Oshkosh	Output Speed Sensor	link

PART #	BRAND	DESCRIPTION	LINK
6HD719	Oshkosh	Marker Light Pigtail Harness	link

PART #	BRAND	DESCRIPTION	LINK
3315476	Oshkosh	Marker Light Turn Amber 6in Oval	link

PART #	BRAND	DESCRIPTION	LINK
6HA356	Oshkosh	Heater Resistor	link



PART #	BRAND	DESCRIPTION	LINK
1262348	Oshkosh	High Pressure A/C Switch - Relief	link

PART #	BRAND	DESCRIPTION	LINK
3198026	Oshkosh	Amber Led Marker Light	link



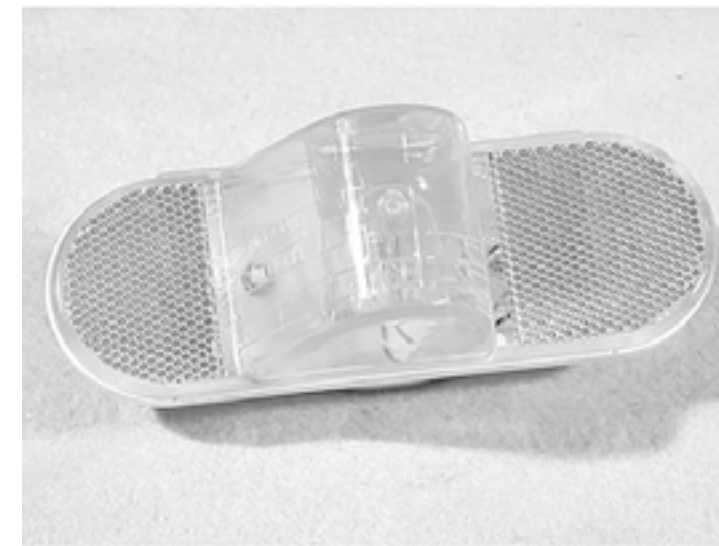
PART #	BRAND	DESCRIPTION	LINK
2216070	Oshkosh	2-Position Momentary Switch	link

PART #	BRAND	DESCRIPTION	LINK
3552340	Oshkosh	Reverse Light	link



PART #	BRAND	DESCRIPTION	LINK
5HR434	Oshkosh	Heater Blower Motor	link

PART #	BRAND	DESCRIPTION	LINK
1138819	Oshkosh	Speedometer Signal Generator	link



PART #	BRAND	DESCRIPTION	LINK
3262398	Oshkosh	Amber Turn Signal Light	link

PART #	BRAND	DESCRIPTION	LINK
3551395	Oshkosh	Red LED Light 4.0 STT	link



2HB581



6HR175



3635366



4HA163

PART #	BRAND	DESCRIPTION	LINK
2HB581	Oshkosh	Female Connector Unsealed	link

PART #	BRAND	DESCRIPTION	LINK
6HR175	Oshkosh	Heater Thermostat Kit - 12V	link

PART #	BRAND	DESCRIPTION	LINK
3635366	Oshkosh	Throttle Accelerator Pedal - ISM	link

PART #	BRAND	DESCRIPTION	LINK
4HA163	Oshkosh	Red Stop Turn Tail Light	link



2001470



6HR464



2045010



3470443

PART #	BRAND	DESCRIPTION	LINK
2001470	Oshkosh	Coolant Level Sensor Switch	link

PART #	BRAND	DESCRIPTION	LINK
6HR464	Oshkosh	Throttle Position Sensor Kit for 2154460	link

PART #	BRAND	DESCRIPTION	LINK
2045010	Oshkosh	Tachometer/Speedometer Sending Unit	link

PART #	BRAND	DESCRIPTION	LINK
3470443	Oshkosh	Red LED Stop-Tail-Turn Light Lamp - 4in	link



2HC101

PART #	BRAND	DESCRIPTION	LINK
2HC101	Oshkosh	Cab Heater Motor for 1999+ Oshkosh Mixers	link



4168446

PART #	BRAND	DESCRIPTION	LINK
4168446	Oshkosh	Fuel Pre-Filter Sensor	link



2HB565

PART #	BRAND	DESCRIPTION	LINK
2HB565	Oshkosh	Red Start Stop Joystick Button Switch	link



6HD18

PART #	BRAND	DESCRIPTION	LINK
6HD18	Oshkosh	Turn Signal Kit	link



2HB475

PART #	BRAND	DESCRIPTION	LINK
2HB475	Oshkosh	Ignition Switch with 2 Keys	link



1688450

PART #	BRAND	DESCRIPTION	LINK
1688450	Oshkosh	Speedometer Signal Generator Assembly	link



104700B

PART #	BRAND	DESCRIPTION	LINK
104700B	Oshkosh	Speedometer Signal Generator	link



3HA213

PART #	BRAND	DESCRIPTION	LINK
3HA213	Oshkosh	Rectangular Halogen Headlight Assembly with Chrome Bezel	link

3559993

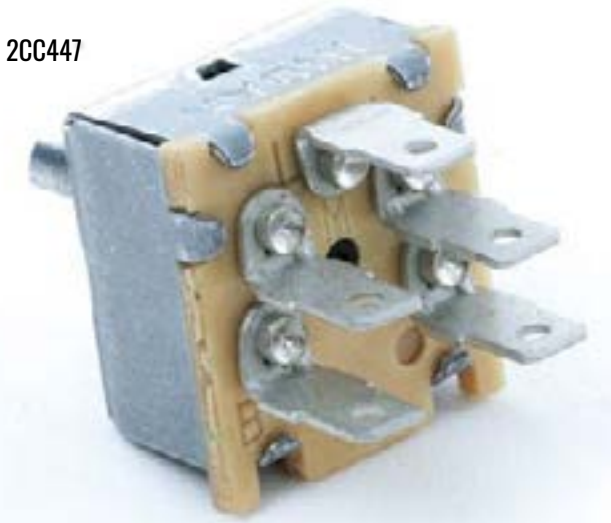


118933A

3808452



2CC447



PART #	BRAND	DESCRIPTION	LINK
3559993	Oshkosh	Clearance Red LED Light	link

PART #	BRAND	DESCRIPTION	LINK
118933A	Oshkosh	Circuit Breaker-80 Amp	link

PART #	BRAND	DESCRIPTION	LINK
3808452	Oshkosh	Pressure Switch - Air Hopper	link

PART #	BRAND	DESCRIPTION	LINK
2CC447	Oshkosh	3 Speed Heater Switch	link

1142743



3276295

6HA709



2HG601



PART #	BRAND	DESCRIPTION	LINK
1142743	Oshkosh	Back-Up Light - Clear	link

PART #	BRAND	DESCRIPTION	LINK
3276295	Oshkosh	A/C High Pressure Switch	link

PART #	BRAND	DESCRIPTION	LINK
6HA709	Oshkosh	Heater Defrost Control Knob	link

PART #	BRAND	DESCRIPTION	LINK
2HG601	Oshkosh	Cab Windshield Washer Pump for 1930600	link



7HB439



7HE635



2HB579

PART #	BRAND	DESCRIPTION	LINK
7HB439	Oshkosh	Momentary x Momentary Rocker Switch	link

PART #	BRAND	DESCRIPTION	LINK
7HE635	Oshkosh	Brake Light Switch	link

PART #	BRAND	DESCRIPTION	LINK
2HB579	Oshkosh	Metri-Pack 10 Pin Female Connector	link



7HS548



2HA451

PART #	BRAND	DESCRIPTION	LINK
7HS548	Oshkosh	Control Joystick Switch - Red	link

PART #	BRAND	DESCRIPTION	LINK
2HA451	Oshkosh	Warning Bank	link