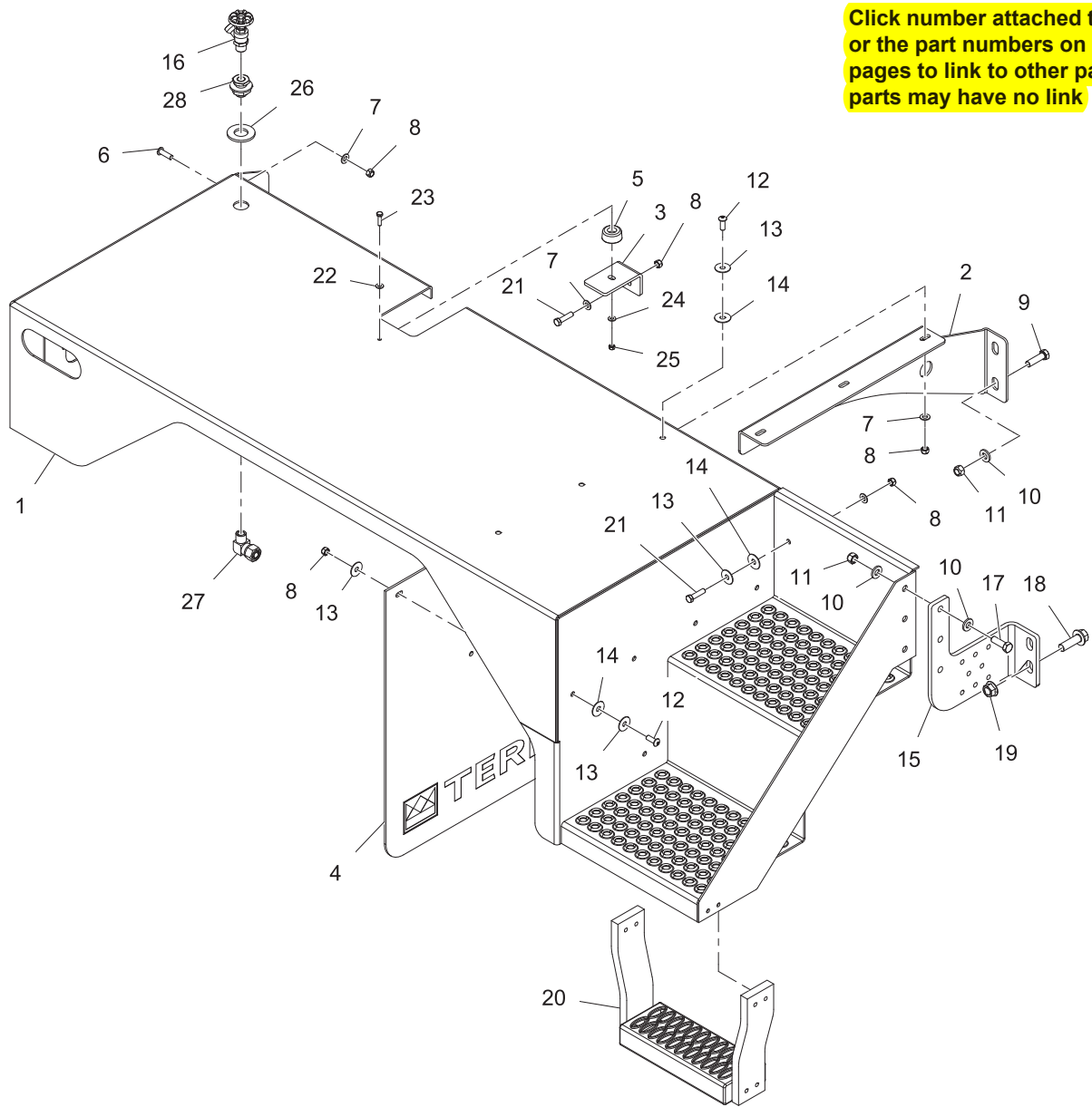


Click number attached to the part or the part numbers on the next pages to link to other parts, some parts may have no link



REF PART NO. DESCRIPTION

34374 *Kit, Front Fender, STSD, MY13*

1	34263	Fender, FD Front RDSD, Narrow, MY14
	35246	Fender, Front, RDSD, Narrow, MY14, WRK
2	33435	Support, Fender, Front, MY13
3	33446	Support, Fender, Front, MY13
4	33809	Mud Flap, Front, RDSD
5	33872	Bumper, Rubber, 1.5" DIA X 3/4" DUR 70A
6	19142	Bolt, BHSCS, 3/8-16 X 1-1/4"
7	19272	Washer, Flat, 3/8 A325
8	19353	Nut, Auto Style, 3/8-16, GRC
9	19114	Bolt, HHCS, 1/2-13 X 1-3/4, GR8
10	19093	Washer, Flat, 1/2 A325
11	19354	Nut, Auto Style, 1/2-13, GRC (Lock)
12	19123	Bolt, BHSCS, 3/8-16 X 1"
13	22288	Washer, FNDR, 3/8" X 1-1/4", ZP
14	19308	Washer, Flat, 3/8", PVC

REF PART NO. DESCRIPTION

15	33436	Support, Fender, RDSD, Rear, MY13
	34905	Bracket, Fender, RDSD, Rear, MY14, 7AX
	13106	Valve, Ball, Water, 1/2", Brass
17	19113	Bolt, HHCS, 1/2-13 X 1-1/2, GR8
18	14464	Bolt, FLNG, 5/8"-18 X 2", PO, GR8
19	14461	Nut, Lock, Flange, 5/8"-18, GR8
20	33461	Step, Hanging, Flexible, 12", MY13
21	19109	Bolt, HHCS, 3/8"-16 X 1-1/2", PF, GR8
22	19053	Washer, Flat, 1/4", SAE, ZP
23	19029	Bolt, HHCS, 1/4"-20 X 1", SS
24	19015	Washer, Lock, External, 1/4", ZP
25	19352	Nut, Lock, Top, 1/4"-20, ZP, GRC
26		Washer, 1 1/8" Black Power Coat
27	11789	FTG, AB, 90° M EL, 3/4" TOD X 1/2" NPT
28	12231	FTG, Pipe, Bulkhead, 1/2" NPT, Brass

WHEN ORDERING PARTS, SPECIFY MODEL NUMBER, SERIAL NUMBER AND DESCRIPTION OF PARTS REQUIRED



FRONT FENDER, STSD

DATE: Released 01-2016

GROUP

MODEL: FD

7

PAGE: 7.1