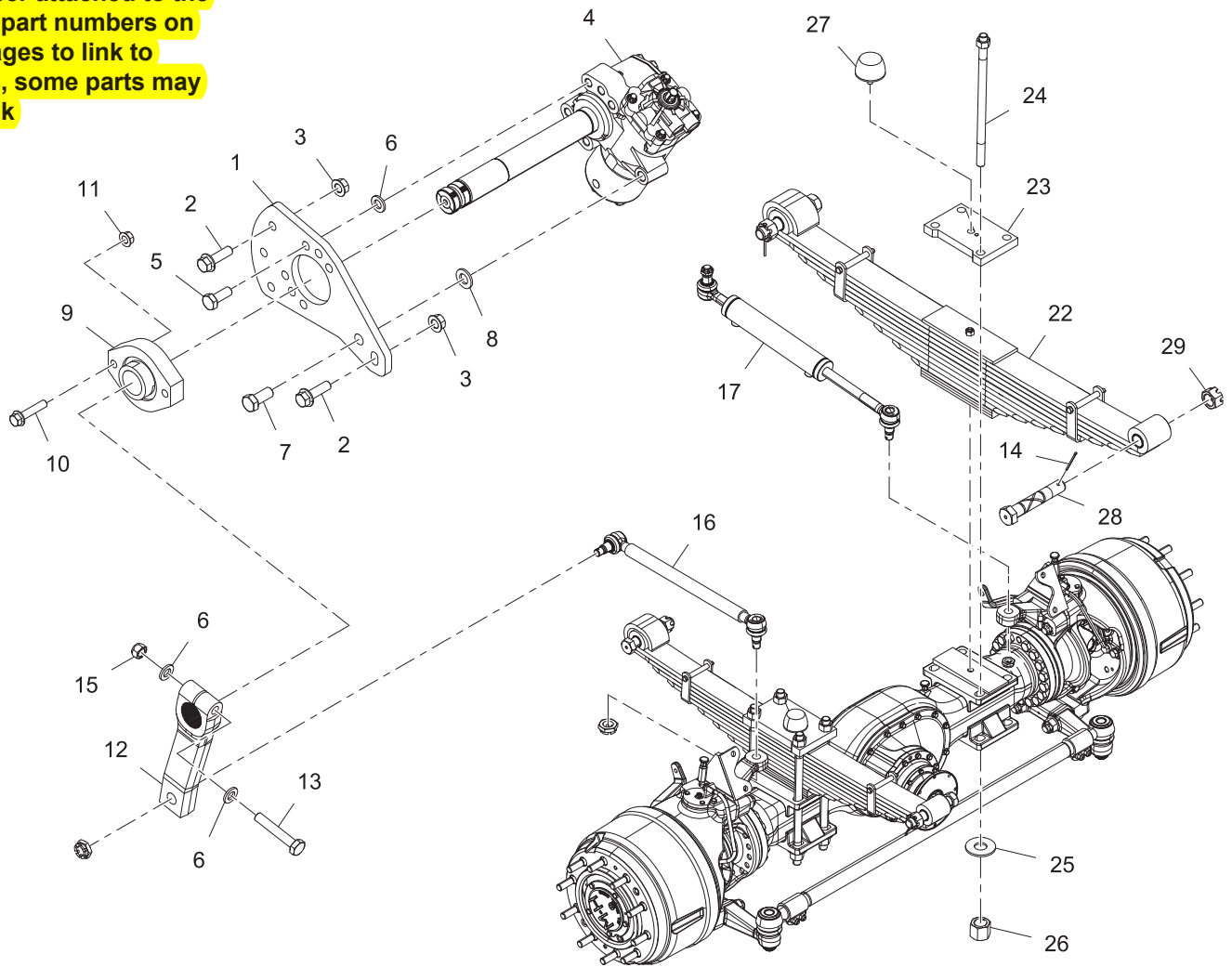


Click number attached to the part or the part numbers on the next pages to link to other parts, some parts may have no link



REF	PART NO.	DESCRIPTION	QTY	REF	PART NO.	DESCRIPTION	QTY
1	33628	Plate, MNTG, Steering Gear, Rear, MY13 .....	1	17	33709	ASSY, CYL, Steering, W/Sockets, MY13 .....	1
2	14463	Bolt, Flange, 3/4-16 X 2-1/2, GR8 .....	4	18*	12212	FTG, ADPT, Elbow, O-Ring X 37 FLR. 6-8 .....	2
3	14460	Nut, Lock Flange, 3/4-16, GR8 .....	4	19*	12173	FTG, ADPT, SAE, O-Ring X 37 FLR. 6-8 .....	2
4	17479	Gear, Steering, TAS .....	1	20*	23093	Hose ASSY, -08 HYD 25.5" STRG CYL .....	1
5	19162	Bolt, HHCS, 3/4-16 X 2, GR8 .....	6	21*	23094	Hose ASSY, -08 HYD 35.5" STRG CYL .....	1
6	19039	Washer, Flat, 3/4 A325 .....	10	22	30270	Spring Pack, Leaf, Front Axle .....	2
7	19247	Bolt, HHCS, 7/8-14 X 2, GR8 .....	1	23	34213	Plate, Top Spring, Front Axle .....	2
8	19075	Washer, Flat, 7/8 GR2 .....	1	24	29914	WDMT, Bolt, Front Axle Tie-Down .....	8
9	13149	ASSY, Pillow Block, Steering Shaft ....	1	25	19088	Washer, Flat, 1", ASTM F436, Plain ...	8
10	14466	Bolt, FLNG, 5/8"-18 X 3-1/2", PO, GR8 .....	2	26	11397	Nut, High HEX, 1"-14, GR8 .....	8
11	14461	Nut, Lock, Flange, 5/8"-18, GR8 .....	2	27	33639	Front Axle Overload, Single STUD .....	2
12	33626	Pitman Arm, MY 2013 Design .....	1	28	13119	Pin, Spring, Front Axle .....	4
13	19211	Bolt, HHCS, 3/4-10 X 4-1/2, GR8 .....	2	29	24246	Nut, Slotted HEX, 1-1/4"-7, PF .....	4
14	19193	Pin, Cotter, 3/16" X 3-1/2", GR2 .....	4				
15	19343	Nut, Auto Style, 3/4-10, GRC .....	2				
16	33531	Drag Link, MY13 FD .....	1				

\*ITEMS 18 TO 21 ARE NOT SHOWN IN THE ILLUSTRATION

WHEN ORDERING PARTS, SPECIFY MODEL NUMBER, SERIAL NUMBER AND DESCRIPTION OF PARTS REQUIRED

	<h2 style="text-align: center;">FRONT AXLE ASSEMBLY</h2>	DATE: Released 01-2016	<b>GROUP</b>  <h1 style="text-align: center;">2</h1>
		MODEL: FD	
		PAGE: 2.1	