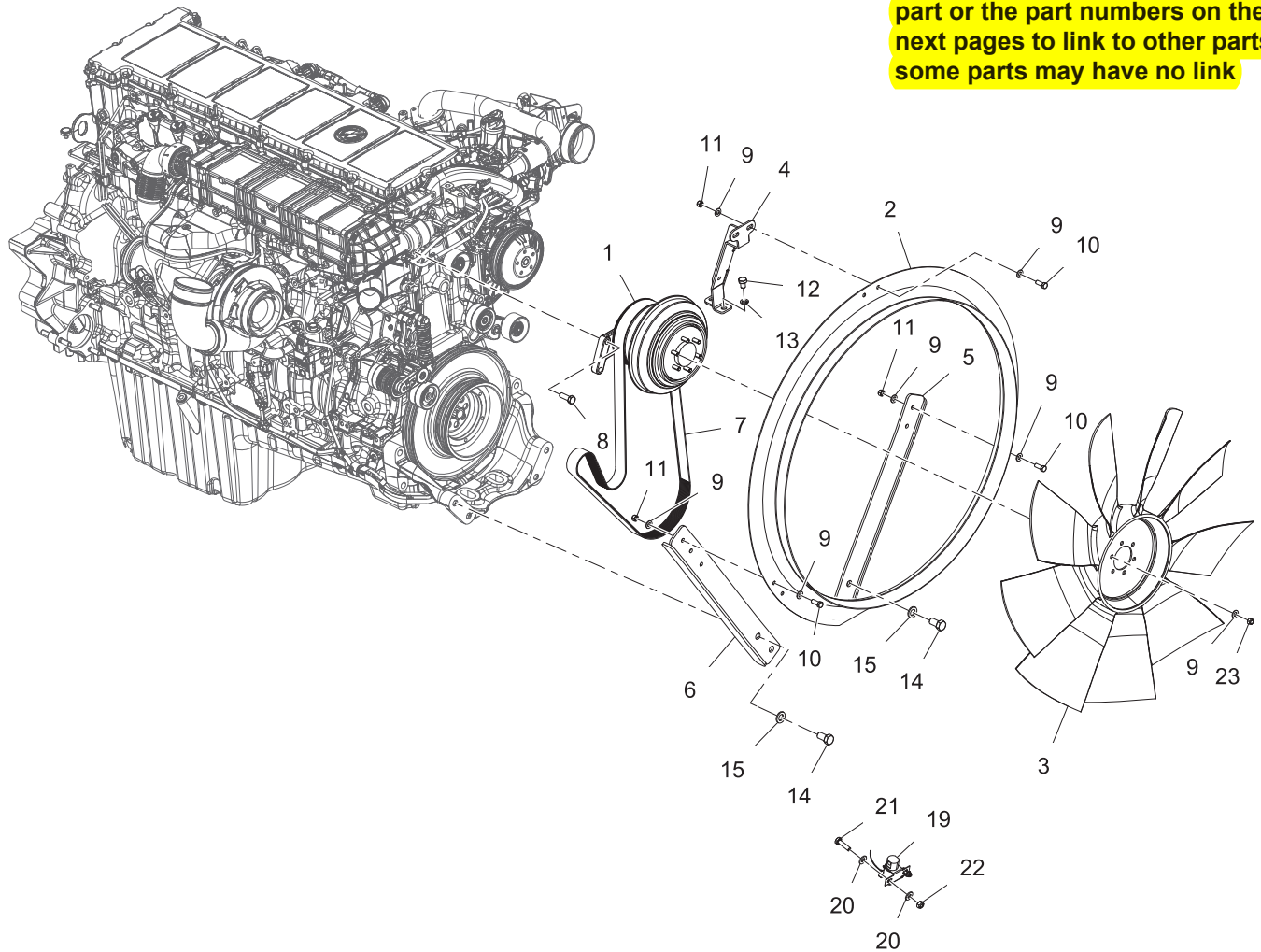


Click number attached to the part or the part numbers on the next pages to link to other parts, some parts may have no link



REF	PART NO.	DESCRIPTION	QTY	REF	PART NO.	DESCRIPTION	QTY
1	31967	Clutch, Fan Hub, DD13	1	12	32317	Bolt, HHCS, M12-1.5 X 16MM, PF, GRD8	2
2	31965	Shroud, Metal Ring, Engine	1	13	40254	Washer, Lock, M12	2
3	31966	Fan, 32"DIA, 2.56" Pilot, DD13	1	14	30913	Bolt, HHCS, M16-1.5 X 30MM, GR 8.8	4
4	31958	WDMT, Upper Fan Ring Support, DD13	1	15	32320	Washer, Flat, M16, GR 8.8, PF	4
5	31961	WDMT, LWR Ring MNT, CBSD, DD13	1	16*	28090	FTG, EL, Push To CONN, 1/8" NPT X 1/4"	1
6	31964	WDMT, LWR Ring MNT, RDSB, DD13	1	17*	15347	Tubing, Air, 1/4 IN OD, SYNDFLEX	5
7	31968	Belt, Fan Drive, 10 Rib, PK-2	1	18*	33648	FTG, Tee, 1/8" NPT X 3/8" X 3/8" Tube PTC	1
8	32321	Bolt, HEX, Flange, M12-1.5X35 GR8.8, PF	4	19	30414	Valve, Solenoid, Fan Clutch, Horton ...	1
9	19045	Washer, Flat, 3/8", GR2	18	20	19053	Washer, Flat, 1/4", SAE, ZP	4
10	19105	Bolt, HHCS, 3/8" X 1", PF, GR8	6	21	19127	Bolt, HHCS, 1/4"-20 X 1", PF, GR8	2
11	19353	Nut, Lock, Top, 3/8"-16, ZP, GRC	6	22	19352	Nut, Lock, Top, 1/4"-20, ZP, GRC	2
				23		Nut, Lock, 3/8"-34, GR8, YZ	6

* ITEMS 16, 17 & 18 ARE NOT SHOWN IN THE ILLUSTRATION

WHEN ORDERING PARTS, SPECIFY MODEL NUMBER, SERIAL NUMBER AND DESCRIPTION OF PARTS REQUIRED

	FAN CLUTCH & RING SHROUD MTU	DATE: Released 01-2016	GROUP 3
		MODEL: FD	
		PAGE: 3.13	