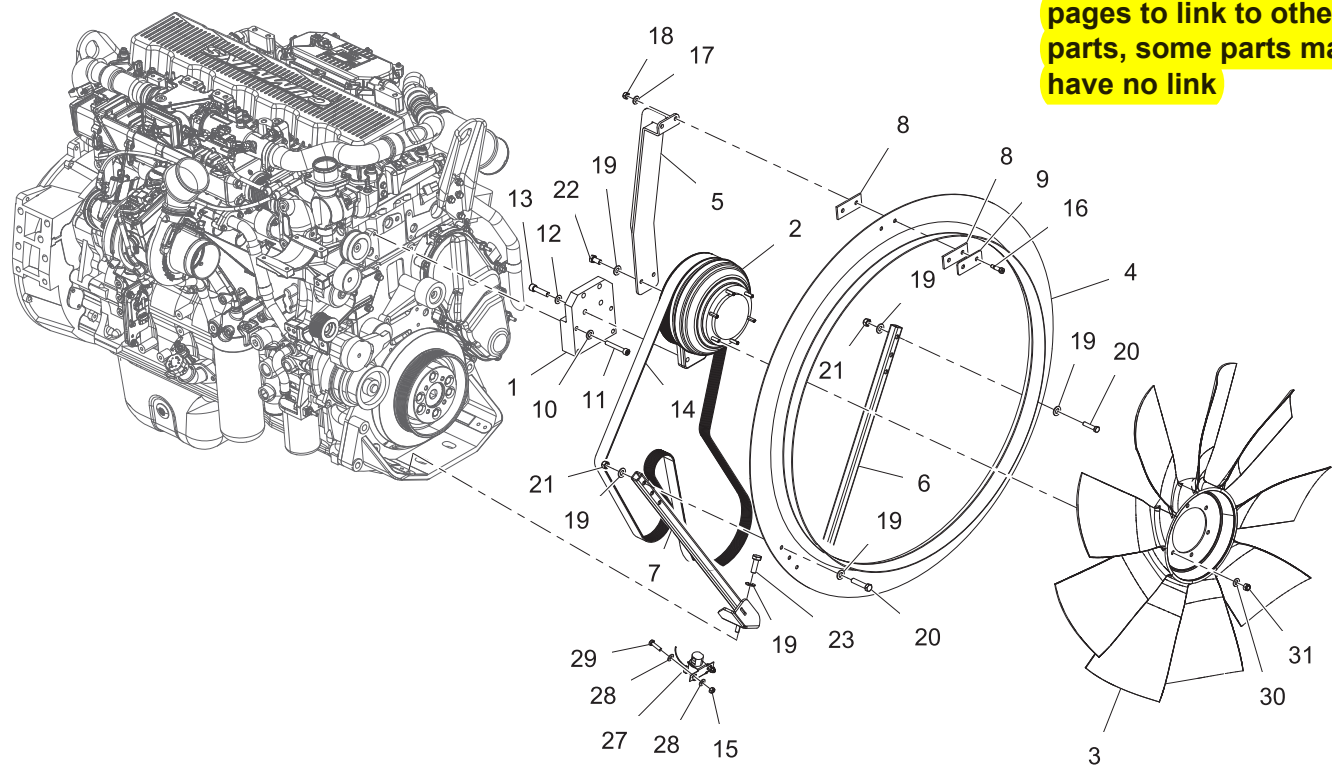


Click number attached to the part or the part numbers on the next pages to link to other parts, some parts may have no link



REF	PART NO.	DESCRIPTION	QTY	REF	PART NO.	DESCRIPTION	QTY
1	34798	BRKT, Fan Clutch, ISX12, ISX12G, MY14.....	1	17	19068	Washer, Flat, 5/16", SAE, ZP.....	2
2	31722	Clutch, Fan Hub, ISX-11.9L.....	1	18	19348	Nut, Crown, 5/16"-18, GRC.....	2
3	30350	Fan, 5" Pilot, 36", Tier 3, Horton.....	1	19	19045	Washer, Flat, 3/8", GR2.....	18
4	29381	Shroud, Metal Ring, Engine.....	1	20	19141	Bolt, HHCS, 3/8"-16 X 1-3/4", PF, GR8.....	6
5	31756	WDMT, UPR Engine Ring SUPT, ISX-11.9L.....	1	21	19353	Nut, Lock, Top, 3/8"-16, ZP, GRC.....	6
6	31752	WDMT, LWR Ring Mount, CBSD, ISX-11.9L.....	1	22	19131	Bolt, HHCS, 3/8"-16 X 3/4", PF, GR8..	2
7	31754	WDMT, LWR Ring Mount, RDS, ISX-11.9L.....	1	23	40694	Bolt, HHCS, M10-1.5 X 30, GR10.9, PF.....	4
8	33498	Isolator, Rubber, Fan Ring.....	2	24*	28090	FTG, E L, Push To CONN, 1/8" NPT X 1/4".....	1
9	33415	Plate, Backer, Fan Ring.....	1	25*	15347	Tubing, Air, 1/4 IN OD, SYN FLEX.....	5
10	34784	Washer, Flat, Hard, M10, DIN125AH..	4	26*	28144	FTG, Tee, Push To CONN, 1/8" NPT X 1/4.....	1
11	34796	Bolt, SHCS, M10-1.5 X 70, 12.9, PF..	4	27	30414	Valve, Solenoid, Fan Clutch, Horton...	1
12	19283	Washer, Flat, 7/16", SAE, HHS, PF...	4	28	19053	Washer, Flat, 1/4", SAE, ZP.....	4
13	34797	Bolt, SHCS, M12-1.75X50, 12.9, PF..	4	29	19127	Bolt, HHCS, 1/4"-20 X 1", PF, GR8.....	2
14	31816	Belt, Fan Drive, 10 Rib PK-2.....	1	30	19049	Washer, Locker, External, 5/16" ZP....	6
15	19352	Nut, Lock, Top, 1/4"-20, ZP, GRC.....	2	31		Nut, Insert, Nylon, 5/16"-18 GR8 YZ...	6
16	33505	Bolt, SHLDR, 3/8" X 7/8"-5/16-18, GR8.....	2				

* ITEMS 24, 25 & 26 ARE NOT SHOWN IN THE ILLUSTRATION

WHEN ORDERING PARTS, SPECIFY MODEL NUMBER, SERIAL NUMBER AND DESCRIPTION OF PARTS REQUIRED

	FAN CLUTCH & RING SHROUD ISX	DATE: Released 01-2016	GROUP 3
		MODEL: FD	
		PAGE: 3.5	