



## Eaton Fuller RTO-14613 Transmission Parts Manual

This is Eaton Fuller RTO-14613 Transmission parts manual brought to you by Pro Gear and Transmission to assist you identifying the parts for your Eaton / Fuller transmission unit.


If you need any assistance identifying the correct Eaton / Fuller unit for your truck and equipment, contact your Eaton replacement parts specialists at Pro Gear and Transmission.

Pro Gear stocks every part for your Eaton transmission including: Valve Assemblies, Synchronizers, Yoke Assemblies, O-Ring Kits, Drive Gears, Gaskets, Bearing and Seal Kits, and much more.

Pro Gear and Transmission has same day shipping and thousands of products in stock and ready to ship internationally for your next project.

For parts or service contact the Eaton transmission specialists at Pro Gear & Transmission, Inc.

 CALL US

 EMAIL US

 VISIT MODEL PAGE

 VISIT ONLINE STORE



**Roadranger®**

More time on the road®

# Illustrated Parts List

---

**RTO-14613**  
**July 2011**

## Contents

|   |    |
|---|----|
| How To Use The Illustrated Parts List ..... | 3  |
| AUXILIARY DRIVE GEAR.....                   | 4  |
| CASE (AUX) .....                            | 5  |
| CASE (FRONT).....                           | 7  |
| COUNTERSHAFT & BRGS(AUX).....               | 9  |
| COUNTERSHAFT ASSY.....                      | 10 |
| FILTER REGULATOR.....                       | 11 |
| H & C W/19470 VALVE.....                    | 12 |
| H & C W/A-4688 VALVE.....                   | 13 |
| H & C W/A-5000 VALVE.....                   | 14 |
| INPUT SHAFT & DRIVE GEAR.....               | 15 |
| INTEGRAL OIL PUMP .....                     | 17 |
| ISOLATORS.....                              | 19 |
| KITS & ASSEMBLIES.....                      | 20 |
| LEVERS/HOUSINGS .....                       | 23 |
| MAINSHAFT & SYNCHRO(AUX).....               | 25 |
| MAINSHAFT ASSY.....                         | 27 |
| MISCELLANEOUS .....                         | 29 |
| NON-SELECTIVE M/S ASSY .....                | 30 |
| OIL COOLER.....                             | 31 |
| RANGE CYLINDER.....                         | 32 |
| RANGE VALVE .....                           | 33 |
| RATIO CONTROL .....                         | 35 |
| REVERSE IDLER.....                          | 37 |
| ROADRANGER VALVES .....                     | 39 |
| SELECTOR VALVES.....                        | 40 |
| SHIFT BAR HOUSING (STD).....                | 41 |
| SLAVE VALVE - 19470.....                    | 43 |
| SLAVE VALVE - A-4688.....                   | 44 |
| SLAVE VALVE - A-5000.....                   | 45 |
| SPLITTER CYLINDER .....                     | 46 |

## How To Use The Illustrated Parts List

The information contained in this document is subject to frequent updates. Therefore, for the latest information available, please visit the interactive Electronic Parts Catalog at [www.roadranger.com/epc](http://www.roadranger.com/epc).

### Model Designation or Nomenclature

- For information regarding Model Designation and Nomenclature, visit [www.roadranger.com](http://www.roadranger.com).

### Kits and Assemblies (K/A's)

- Kits and Assemblies contain groups of individual or assembled parts developed for optimal replacement or repair of a service problem.
- Kits and Assemblies are shown with applicable parts groupings in the parts listings.

### Identifying Kits and Assemblies

A- Part numbers beginning with the letter 'A' are pre-assembled Production Assemblies

K- Part numbers beginning with the letter 'K' are kits that are not assembled

S- Part numbers beginning with the letter 'S' are pre-assembled Service Assemblies

- Note: Some Production Assemblies do not begin with a letter prefix (Midrange only).

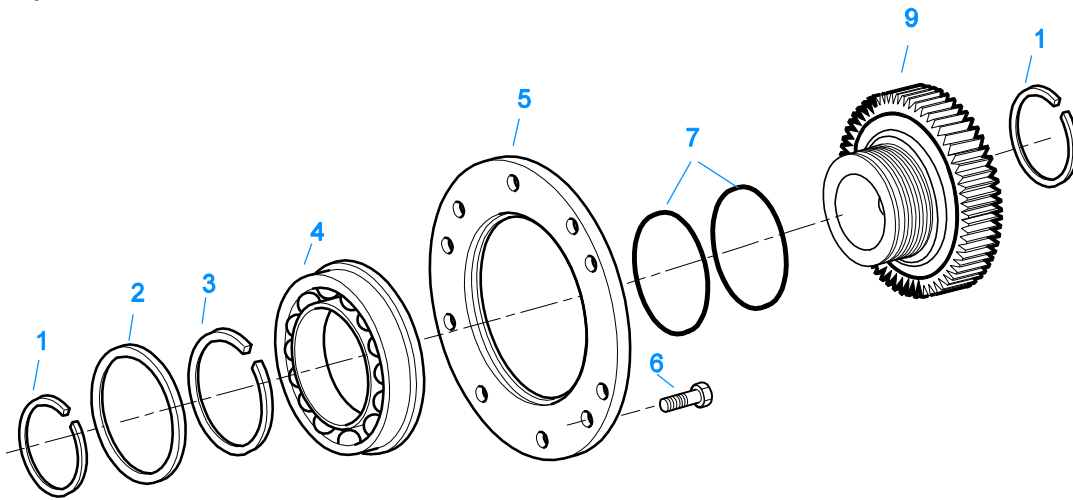
### Illustrations

- Illustrations show parts in assembly groups.
- Item numbers on illustrations correspond with parts listings on pages adjacent to the illustration.
- Notes are included on illustrations where additional information is needed.

### Parts Listing

Parts listings are defined by parts groupings and are broken down by service assemblies. Parts listings identify a part for servicing with the following categories

- **Item Number** - corresponding with numbers on illustrations for part identification.
- **Current Part** - identifies part as it is available for service.
- **Description** - specifies part name or description.
- **Replaced Part** - quantity quantity required for assembly.
- **Quantity** - defines unique characteristics or requirements.
- **Notes** - indicates Kits or Assemblies that contain a particular part.
- **Kits/Assy's Where Used**

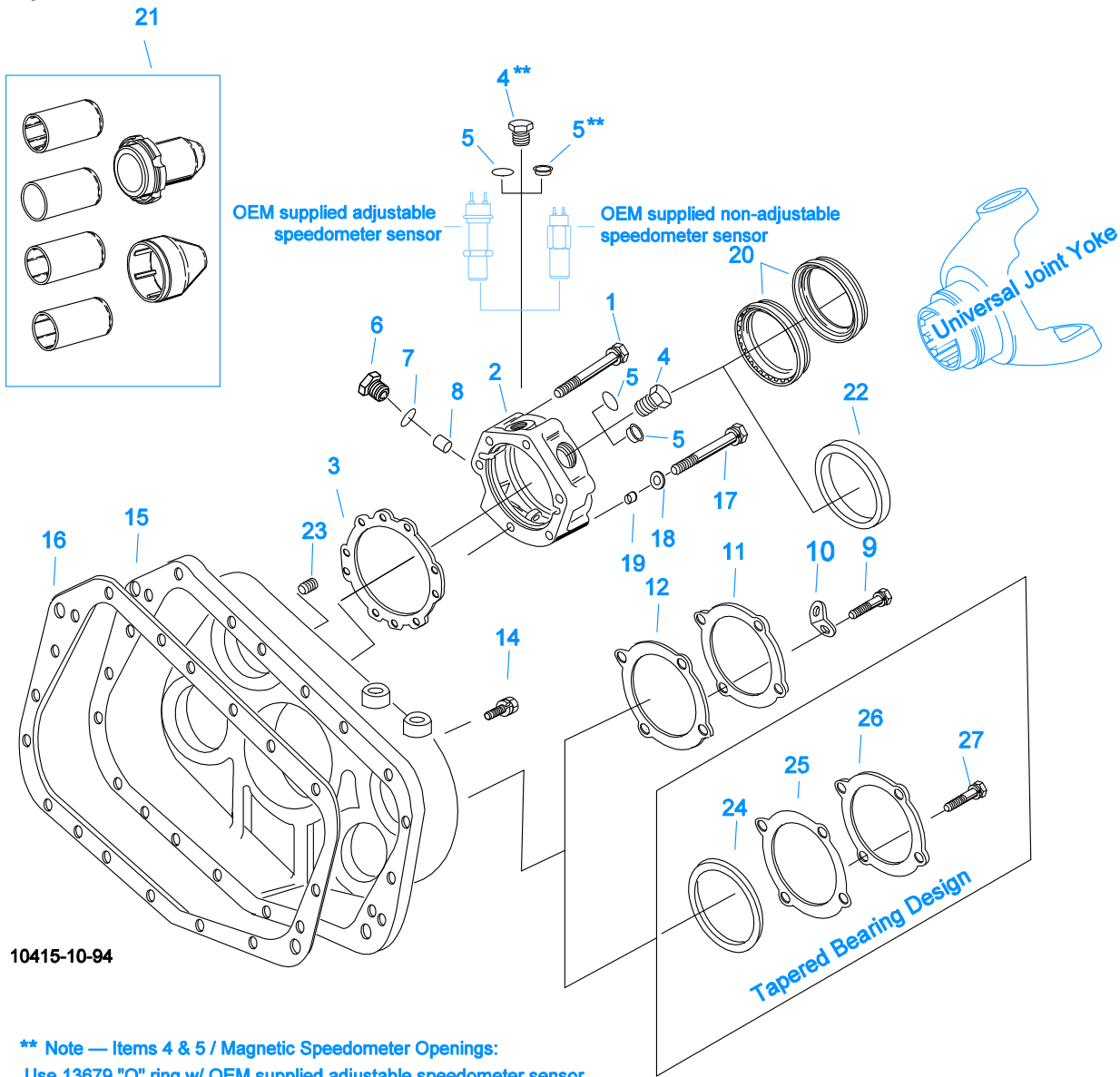


10482-12/92 Aux DG

## AUXILIARY DRIVE GEAR

| Item | Current Part | Description         | Replaced Part   | Qty. | Notes      | Kits/Assys Where Needed                          |
|------|--------------|---------------------|-----------------|------|------------|--|
| 1    | 16763        | SNAP RING           |                 | 2    |            | K-1793,K-1871,K-1972,K-2280,K-2341,K-3155,K-3692 |
| 2    | 21320        | SNAP RING RETAINER  |                 | 1    | RTO/RTOF   | K-2316   |
| 3    | 16628        | SNAP RING           |                 | 1    |            | K-1793   |
| 4    | 5566507-BOX  | BEARING             | 5566504,5566507 | 1    |            | K-1871,K-1972,K-2034,K-2280,K-2341,K-3692        |
| 5    | 16138        | BEARING RETAINER    |                 | 1    |            |  |
| 6    | X-8-645      | CAPSCREW            | X 8 612         | 6    | 3/8"-16X1" |  |
| 7    | 17453        | -O- RING            |                 | 2    |            | K-1871,K-1972,K-2280,K-2316,K-2341,K-3692        |
| 9    | K-2316       | REPL KIT-DRIVE GEAR | 4300463 4300547 | 1    |            | K-2034   |

Group: CASE (AUX)



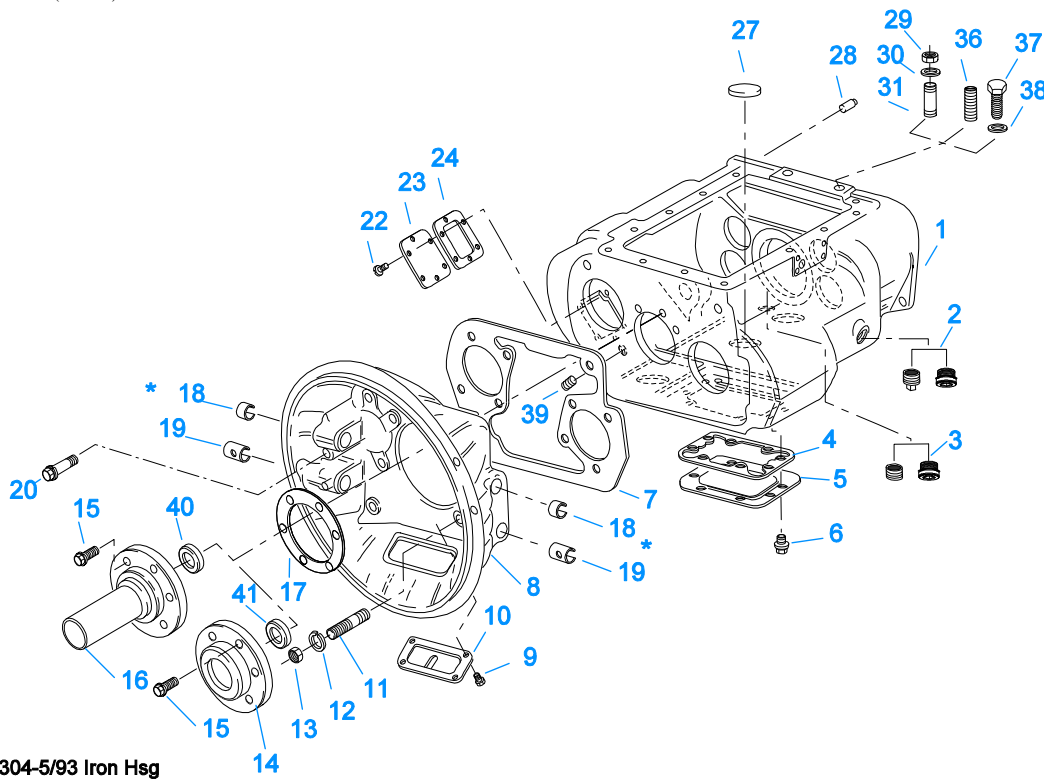
10415-10-94

**\*\* Note — Items 4 & 5 / Magnetic Speedometer Openings:**  
 Use 13679 "O" ring w/ OEM supplied adjustable speedometer sensor  
 and 20225 "O" ring w/ OEM supplied non-adjustable speedometer sensor or Eaton part #20224 Plug

**CASE (AUX)**

| Item | Current Part | Description         | Replaced Part   | Qty. | Notes  | Kits/Assys Where Needed                           |
|------|--------------|---------------------|---|------|--|---|
| 1    | X-8L-605     | CAPSCREW            |   | 5    | 3/8"-16X3", USE W/S-2151 COVER   |   |
| 1    | X-8L-611     | CAPSCREW            |   | 5    | 3/8"-16X3-1/4", USE W/S-2119 COVER   |   |
| 2    | S-2119       | REAR BRG COVER ASSY | 20048 ,22045 ,4302009<br>,4302031 ,S - 1558 S -<br>1560 | 1    | EXTENDED   |   |
| 2    | S-2151       | REAR BRG COVER ASSY | S - 1429  | 1    |  |   |
| 3    | 15532        | GASKET              |   | 1    |  | K-1603,K-2199,K-<br>2256,K-2262,S-2119,S-<br>2151 |
| 4    | 20224        | PLUG-MAGNETIC       |   | 2    |  | S-1455,S-2119,S-<br>2151,S-2262                   |
| 5    | 13679        | -O- RING            |   | 1    | USE W/OEM SUPPLIED<br>ADJUSTABLE SPEEDOMETER<br>SENSOR NOT TO BE USED WITH<br>4301954 SEAL |   |
| 5    | 20225        | -O- RING            |   | 2    | USE W/20224 PLUG OR OEM<br>SUPPLIED NON-ADJUSTABLE<br>SPEEDOMETER SENSOR NOT TO            |   |

| Item | Current Part | Description            | Replaced Part     | Qty. | Notes                                | Kits/Assys Where Needed                   |
|------|--------------|------------------------|-------------------|------|--------------------------------------|---|
| 5    | 4301954      | SENSOR SEAL            |                   | 2    | BE USED WITH 4301954 SEAL            | S-2119,S-2151                             |
| 6    | 20226        | PLUG-MECHANICAL        | 2237              | 1    | O-RING NOT REQUIRED                  | S-1455,S-2119,S-2151,S-2262               |
| 7    | 14142        | -O- RING               |                   | 1    |                                      | S-1455,S-2119,S-2151,S-2262               |
| 8    | 7992         | BUSHING                |                   | 1    |                                      | S-2119,S-2151                             |
| 9    | X-8-686      | CAPSCREW               |                   | 8    | 3/8"-16X3/4"                         |   |
| 9    | X-8L-600     | CAPSCREW               |                   | 2    | 3/8"-16X1", USE W/20815 LIFTING EYES |   |
| 10   | 20815        | LIFTING EYE            | 17105             | 2    |                                      | S-2262                                    |
| 11   | 16724        | REAR BRG COVER         |                   | 2    |                                      |   |
| 12   | 17097        | GASKET                 |                   | 2    |                                      | K-1603,K-2199                             |
| 14   | X-8L-602     | CAPSCREW               |                   | 9    | 3/8"-16X1-1/2"                       |   |
| 14   | X-8L-604     | CAPSCREW               |                   | 8    | 3/8"-16X1-1/4"                       |   |
| 14   | X-8L-614     | CAPSCREW               |                   | 2    | 3/8"-16X2"                           |   |
| 15   | S-2909       | REAR HSG REPL ASSY     | 18743 ,18786      | 1    | W/OIL COOLER                         |   |
| 15   | S-2986       | REAR HOUSING CASE ASSY | 4300181 ,4300863  | 1    | FOR TAPERED ROLLER BEARINGS          |   |
| 16   | 14335        | GASKET                 |                   | 1    |                                      | K-1603,K-2199,S-1455,S-2262               |
| 17   | X-8-611      | CAPSCREW               |                   | 1    | 3/8"-16X3-1/4", USE W/S-2119 COVER   |   |
| 17   | X-8-682      | CAPSCREW               |                   | 1    | 3/8"-16X3", USE W/S-2151 COVER       |   |
| 18   | 17106        | GASKET                 |                   | 1    |                                      | K-2199,K-2256,K-2262,S-2119,S-2151        |
| 19   | 19709        | COLLAR                 |                   | 1    |                                      | K-1603,K-2199,K-2256,K-2262,S-2119,S-2151 |
| 20   | K-2262       | OIL SEAL W/SLINGER     | 19109 20807 20808 | 1    | "FOR MECHANICAL COVER"               | K-2280,K-2340,K-2341                      |
| 21   | K-3651       | OIL SEAL TOOL KIT      |                   | 1    |                                      |   |
| 22   | K-2262       | OIL SEAL W/SLINGER     | 19109 20807 20808 | 1    | "FOR MECHANICAL COVER"               | K-2280,K-2340,K-2341                      |
| 23   | X-12-404     | PIPE PLUG              |                   | 1    | 1/4" NPT                             |   |
| 24   | K-2430       | SHIM KIT               | 21452             | 1    |                                      | K-2280,K-2340,K-2341,S-2262               |
| 25   | 4300186      | GASKET                 |                   | 2    |                                      | K-1603,K-2199,K-3473,S-2262               |
| 26   | 4300925      | REAR BEARING COVER     | 4300185           | 2    |                                      | S-2262                                    |
| 27   | X-8L-604     | CAPSCREW               |                   | 8    | 3/8"-16X1-1/4"                       |   |



**10304-5/93 Iron Hsg**

\* Bushing quantity requirements: #1 Housing – Upper bore use 4 #12815 / Lower bore use 2 #8677.

#2 Housing – Upper bore use 2 #12815 and 1 #8677 / Lower bore use 2 #8677.

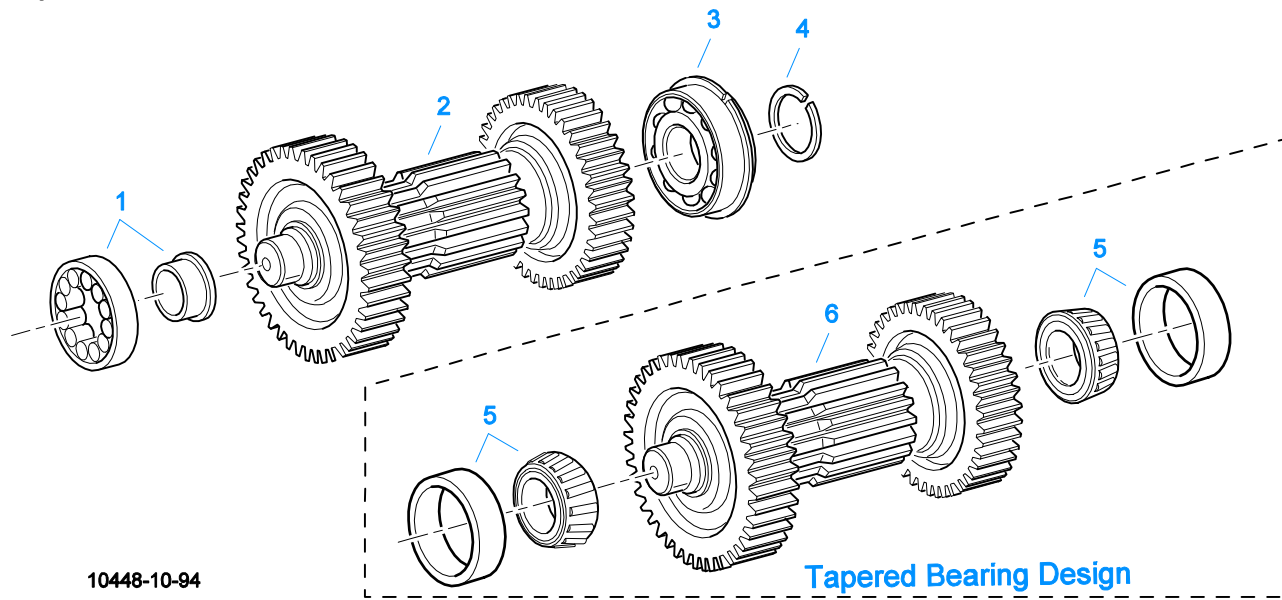
**Note: Some part requirements are specific to #1 or #2 Clutch Housings and Push or Pull type Clutch.**

**CASE (FRONT)**

| Item | Current Part | Description           | Replaced Part                | Qty. | Notes   | Kits/Assys Where Needed     |
|------|--------------|-----------------------|------------------------------|------|---|-----------------------------|
| 1    | S-1318       | CASE ASSY             | 15390                        | 1    |   |                             |
| 1    | S-1519       | CASE ASSY             | 20500                        | 1    | FOR USE W/INTEGRAL PUMP                             |                             |
| 1    | S-1820       | CASE ASSY             | 4300445                      | 1    | FOR USE W/INTEGRAL PUMP FOR TAPERED ROLLER BEARINGS |                             |
| 1    | S-1888       | CASE ASSY             | 4300590                      | 1    | FOR TAPERED ROLLER BEARINGS                         |                             |
| 2    | 4304023      | PLUG                  | 4303747                      | 1    | 1-1/16" MAGNETIC, O-RING INCLUDED                   | S-1318,S-1519               |
| 2    | X-12-2007    | PIPE PLUG             | X12 2006                     | 1    |   |                             |
| 3    | 4304023      | PLUG                  | 4303747                      | 1    | 1-1/16" MAGNETIC, O-RING INCLUDED                   | S-1318,S-1519               |
| 3    | X-12-1207    | PIPE PLUG             | X12 1202 X12 1206            | 1    | 3/4" MAGNETIC                                       |                             |
| 4    | 4305310      | GASKET                | 4302810                      | 1    |   | K-2199                      |
| 5    | 4302809      | PTO COVER             | 16596 ,4300571               | 1    |   |                             |
| 6    | X-8-725      | CAPSCREW              | X 8 724                      | 8    | 7/16"-14X7/8"                                       |                             |
| 7    | 4306584      | CLUTCH HOUSING GASKET | 4304815,4305668              | 1    |   | K-2199                      |
| 8    | A-3713       | CLUTCH HOUSING ASSY   | A - 3700                     | 1    | #1 PUSH-PULL IRON                                   |                             |
| 8    | A-3723       | CLUTCH HOUSING ASSY   | A - 3721 ,A - 3722           | 1    | #2 PUSH-PULL IRON                                   |                             |
| 9    | 239614       | SCREW                 | X-8L-509                     | 4    | 5/16-18X.81 QUANTITY DEPENDENT ON DESIGN            |                             |
| 10   | 14506        | HAND HOLE COVER       |                              | 1    | #2 PUSH   |                             |
| 10   | 14507        | HAND HOLE COVER       |                              | 1    | #2 PULL   |                             |
| 10   | 4305230      | HAND HOLE COVER       | 11453                        | 1    | #1 PULL   |                             |
| 10   | 4305231      | HAND HOLE COVER       | 1565                         | 1    | #1 PUSH   |                             |
| 11   | 4306583      | STUD                  | 5966                         | 6    |   |                             |
| 12   | X-10-1005    | WASHER                | X 3 1000 ,X10 1000 ,X10 1004 | 6    | 1.23 X 6.60   |                             |
| 13   | X-1-1012     | HEX NUT               |                              | 6    | .625-18   |                             |
| 14   | 15111        | FRONT BRG. COVER      |                              | 1    | 2" PULL   |                             |
| 14   | 18699        | FRONT BRG. COVER      |                              | 1    | 1-3/4" & 2" PULL W/SEAL                             |                             |
| 14   | 20550        | FRONT BRG COVER       |                              | 1    | 2" PULL   | K-1972,K-2468,K-3692,K-4125 |



| Item | Current Part | Description                | Replaced Part                | Qty. | Notes  | Kits/Assys Where Needed            |
|------|--------------|----------------------------|------------------------------|------|--|------------------------------------|
| 15   | X-8L-604     | CAPSCREW                   |                              | 6    | 3/8"-16X1-1/4" USE 6 PCS WITH PULL TYPE COVER USE 4 PCS WITH PUSH TYPE COVER |                                    |
| 15   | X-8L-619     | CAPSCREW                   |                              | 2    | 3/8"-16X1-1/4" - USE WITH PUSH TYPE COVER                                    |                                    |
| 16   | 14994        | FRONT BRG. COVER           |                              | 1    | 2" PUSH  |                                    |
| 16   | 15113        | FRONT BRG. COVER           |                              | 1    | 1-3/4" & 2" PUSH W/SEAL  |                                    |
| 16   | 20549        | FRONT BRG COVER            |                              | 1    | 2" PUSH  |                                    |
| 17   | 14311        | GASKET                     |                              | 1    |  | K-2199                             |
| 18   | 12815        | BUSHING                    |                              | 4    | FOR #1 HOUSING UPPER   | A-3713,A-3723,K-2468,K-3692        |
| 18   | 12815        | BUSHING                    |                              | 2    | FOR #2 HOUSING UPPER   | A-3713,A-3723,K-2468,K-3692        |
| 18   | 8677         | BUSHING                    |                              | 1    | FOR #2 HOUSING UPPER   | A-3713,A-3723                      |
| 19   | 8677         | BUSHING                    |                              | 2    | FOR #1 AND #2 HOUSING LOWER  | A-3713,A-3723                      |
| 20   | X-8C-830     | HEX HEAD SCREW/WASHER ASSY | X-8C-826                     | 2    | .500-13 X 1.490  |                                    |
| 20   | X-8C-831     | HEX HEAD SCREW/WASHER ASSY | X-8C-822                     | 2    | .500-13 X 3.460, USE ON HORIZONTAL CENTER LINE                               |                                    |
| 22   | X-8-686      | CAPSCREW                   |                              | 6    | 3/8"-16X3/4"   |                                    |
| 23   | 14575        | PTO COVER                  | 4302254                      | 1    |  |                                    |
| 24   | 4305309      | GASKET                     | 1684                         | 1    |  | K-2199                             |
| 27   | 14373        | MAGNET                     |                              | 3    |  | K-3692,S-1318,S-1519,S-1820,S-1888 |
| 28   | 18128        | PIN                        |                              | 2    |  |                                    |
| 29   | X-1-1012     | HEX NUT                    |                              | 2    | .625-18  |                                    |
| 30   | X-10-1005    | WASHER                     | X 3 1000 ,X10 1000 ,X10 1004 | 2    | 1.23 X 6.60  |                                    |
| 31   | 14554        | STUD                       | 1632 ,6579                   | 2    | 5/8" X 2-3/16"   |                                    |
| 36   | 23104        | PLUG                       | 1712                         | 2    |  |                                    |
| 37   | X-8-1005     | CAPSCREW                   |                              | 2    | 5/8"-11X1-1/4"   |                                    |
| 38   | 20814        | SPACER                     |                              | 2    |  |                                    |
| 39   | X-12-802     | PIPE PLUG                  | X12 800                      | 1    | 1/2"   |                                    |
| 40   | 12581        | OIL SEAL                   |                              | 1    | USE W/15113 COVER ONLY   |                                    |
| 41   | 16977        | SEAL                       |                              | 1    | 2"   |                                    |

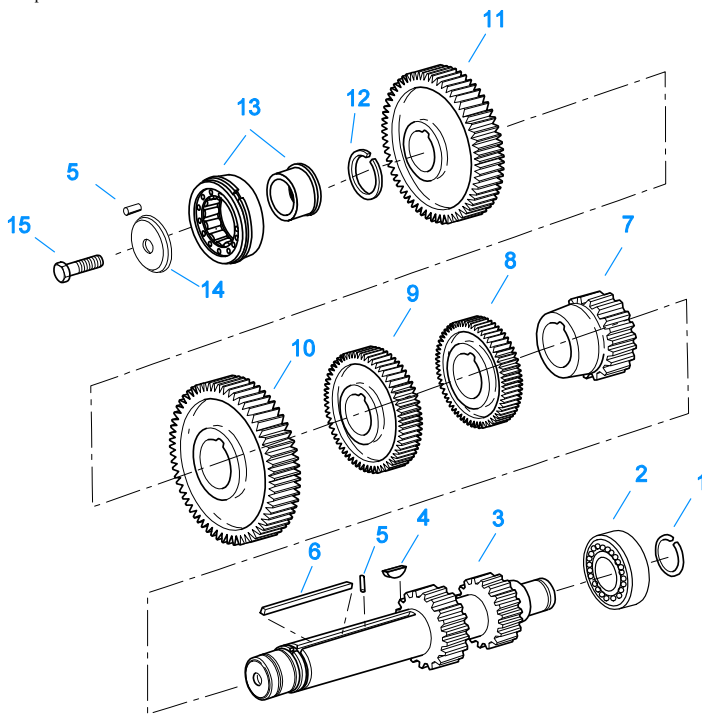


10448-10-94

Tapered Bearing Design

### COUNTERSHAFT & BRGS(AUX)

| Item | Current Part | Description              | Replaced Part | Qty. | Notes                               | Kits/Assys Where Needed            |
|------|--------------|--------------------------|---------------|------|-------------------------------------|------------------------------------|
| 1    | 4300828      | BEARING                  | 20015         | 2    |                                     | K-1554,K-1871,K-1972,K-3692,S-1455 |
| 2    | A-4957       | WELDED COUNTERSHAFT ASSY | A - 4725      | 2    | C/S 19222 - D/G 19660 S/G 19662     |                                    |
| 3    | 81057        | BEARING                  |               | 2    |                                     | K-1554,K-1871,K-1972,K-3692        |
| 4    | 16723        | SNAP RING                |               | 2    |                                     | K-1554,K-1793,K-1871,K-1972,K-3692 |
| 5    | 4302074-BOX  | BEARING                  | 21343,4302074 | 4    |                                     | K-2280,K-2340,K-2341               |
| 6    | A-6172       | WELDED COUNTERSHAFT ASSY | A - 6178      | 2    | C/S 4300595 - D/G 4300596 S/G 19662 |                                    |

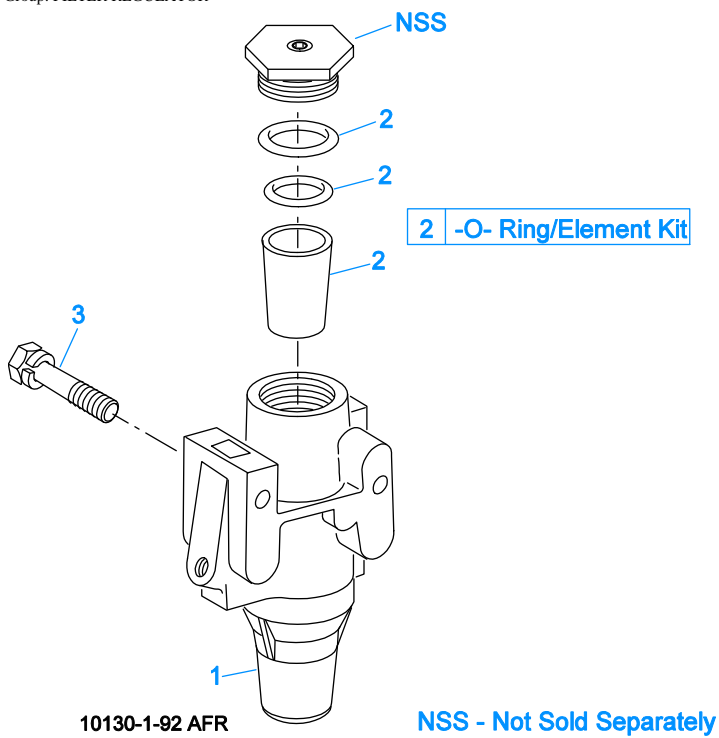


10341-1/92 CS/RT

## COUNTERSHAFT ASSY

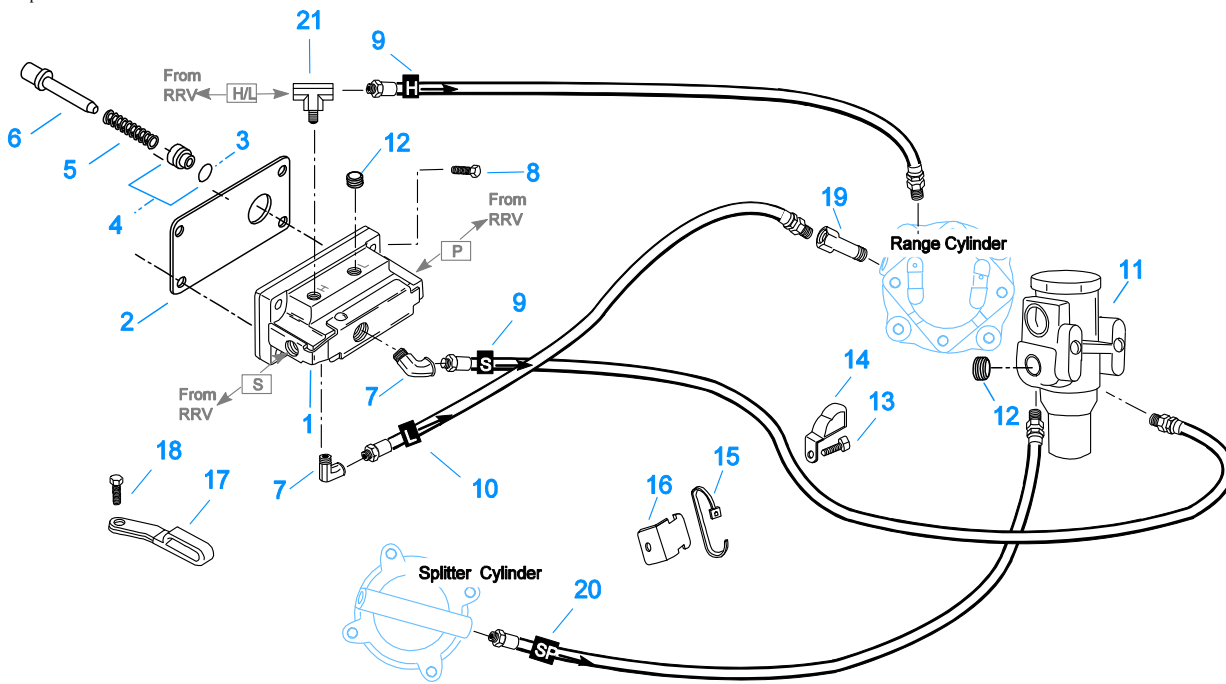
| Item | Current Part | Description                  | Replaced Part                      | Qty. | Notes                              | Kits/Assys Where Needed                   |
|------|--------------|------------------------------|------------------------------------|------|------------------------------------|---|
| 0    | S-3074       | COUNTERSHAFT ASSEMBLY, LEFT  |                                    | 1    | COMPLETE COUNTERSHAFT ASSY, LEFT   |   |
| 0    | S-3075       | COUNTERSHAFT ASSEMBLY, RIGHT |                                    | 1    | COMPLETE COUNTERSHAFT ASSY, RIGHT  |   |
| 1    | 14317        | SNAP RING                    |                                    | 2    |                                    | K-1793,K-1871,K-1972,K-2280,K-2341,K-3692 |
| 2    | 14366        | BEARING                      |                                    | 2    |                                    | K-1871,K-1972,K-2280,K-2341,K-3692        |
| 3    | K-2934       | CNTRSHFT-W/REV & LO          | 19549                              | 2    |                                    |   |
| 4    | X-6-E        | KEY                          |                                    | 2    |                                    | S-3074,S-3075                             |
| 5    | 62511        | ROLL PIN                     |                                    | 4    |                                    | S-3074,S-3075                             |
| 6    | 4304840      | KEY                          | 19673                              | 2    |                                    | S-3074,S-3075                             |
| 7    | 4306076      | 1ST GEAR-CNTRSHFT            | 19247,20471                        | 2    |                                    | S-3074,S-3075                             |
| 8    | 20482        | 2ND GEAR-CNTRSHFT            | 19615                              | 2    |                                    | S-3074,S-3075                             |
| 9    | 4305657      | 3RD GEAR-CNTRSHFT            | 19240 ,19243 ,20392 ,4302087,21020 | 2    |                                    | K-3692,S-3074,S-3075                      |
| 10   | 15953        | PTO GEAR - LOWER             |                                    | 1    |                                    | S-3074                                    |
| 10   | 16390        | NO LONGER AVAILABLE          |                                    | 2    | OPTIONAL IF PTO GEARS ARE NOT USED |   |
| 10   | 20840        | PTO GEAR - UPPER             | 15952                              | 1    |                                    | S-3075                                    |
| 11   | 4305661      | DRIVE GEAR-CNTRSHFT          | 19631 ,19633 ,20481 ,4302233,20459 | 2    |                                    | K-3692,S-3074,S-3075                      |
| 12   | 19198        | SNAP RING                    |                                    | 2    |                                    | S-3074,S-3075                             |
| 13   | 4304599      | BEARING                      | 4302677 4304598                    | 2    |                                    | K-1871,K-1972,K-2280,K-2341,K-3692        |
| 14   | 4304605      | RETAINER                     | 19548                              | 2    | ROLL PIN NO LONGER REQUIRED        |   |
| 15   | X-7-1005     | CAPSCREW                     |                                    | 2    | 5/8"-18X1-3/4"                     |   |

Group: FILTER REGULATOR



## FILTER REGULATOR

| Item | Current Part | Description          | Replaced Part | Qty. | Notes                | Kits/Assys Where Needed |
|------|--------------|----------------------|---------------|------|----------------------|-------------------------|
| 1    | A-4740       | FILTER/REGULATOR     | 19600         | 1    |                      | K-3692                  |
| 2    | K-1698       | -O- RING/ELEMENT KIT |               | 1    | FOR FILTER REGULATOR |                         |
| 3    | X-8C-412     | CAPSCREW             | X 8S 412      | 2    | 1/4"-20X2-1/4"       |                         |

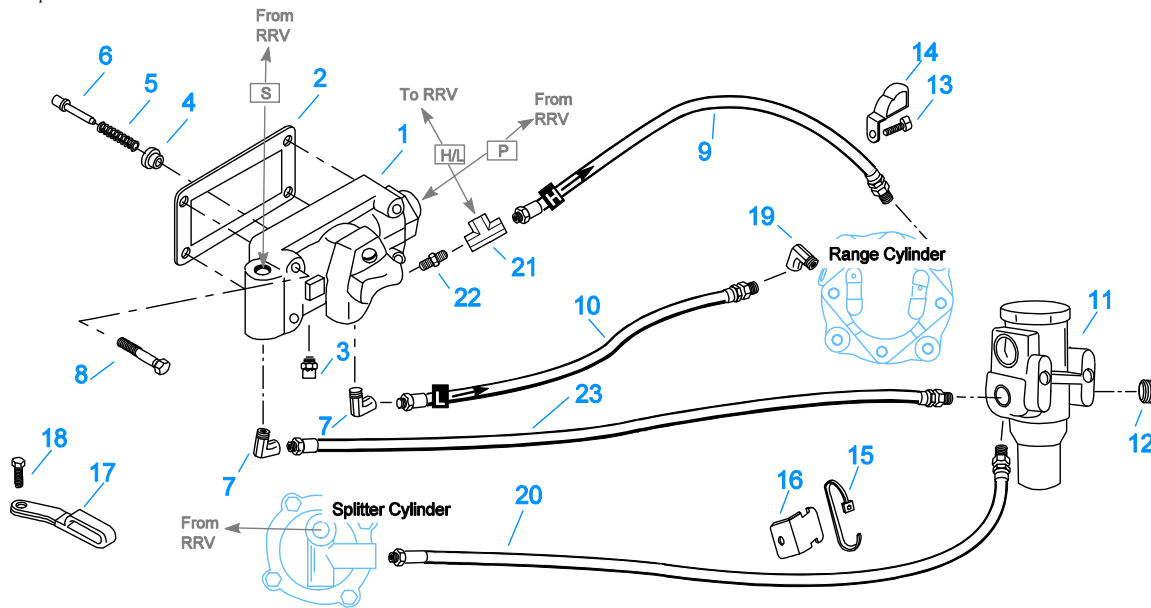


10111B-7/92 19470 HC 13spd

### H & C W/19470 VALVE

| Item | Current Part | Description           | Replaced Part      | Qty. | Notes            | Kits/Assys Where Needed     |
|------|--------------|-----------------------|--------------------|------|------------------|-----------------------------|
| 1    | K-2424       | VALVE REPLACEMENT KIT | 19470              | 1    |                  |                             |
| 2    | 19481        | GASKET                |                    | 1    |                  | K-1963,K-2199,K-2424        |
| 3    | 19462        | -O- RING              | 14033              | 1    |                  | A-4688,K-1699,K-1969,K-3692 |
| 4    | K-1969       | SLEEVE KIT            | 14362 19460 ,21446 | 1    | FOR SLAVE VALVES | K-1963                      |
| 5    | 21268        | SPRING                | 19572              | 1    |                  | K-1963                      |
| 6    | 20490        | PIN                   | 19459              | 1    |                  | K-1963                      |
| 7    | 12845        | ELBOW                 |                    | 2    | 1/8"             | K-1963,K-3692               |
| 8    | X-8C-401     | CAPSCREW              |                    | 4    | 1/4"-20X1-1/8"   |                             |
| 9    | 55508        | HOSE ASSY             |                    | 2    | 30"              | K-2034,K-3692               |
| 10   | 55523        | HOSE ASSY             |                    | 1    | 29"              | K-3692                      |
| 11   | A-4740       | FILTER/REGULATOR      | 19600              | 1    |                  | K-3692                      |
| 12   | X-12-208     | PIPE PLUG             |                    | 2    | 1/8" NPT         |                             |
| 13   | X-8L-601     | CAPSCREW              |                    | 1    | 3/8"-16X3/4"     |                             |
| 14   | 21427        | HOSE CLAMP            |                    | 1    |                  | K-3692                      |
| 15   | 21425        | STRAP                 |                    | 1    |                  |                             |
| 16   | 21426        | BRACKET               |                    | 1    |                  |                             |
| 17   | 21428        | HOSE CLAMP            |                    | 1    |                  | K-3692                      |
| 18   | X-8L-604     | CAPSCREW              |                    | 1    | 3/8"-16X1-1/4"   |                             |
| 19   | 12880        | ELBOW                 |                    | 1    | 1/8"             | K-2034,K-3692               |
| 20   | 55527        | HOSE ASSY             |                    | 1    | 15"              | K-2034,K-3692               |
| 21   | 21086        | BRANCH TEE            |                    | 1    | 1/8"             | K-2034,K-3692               |

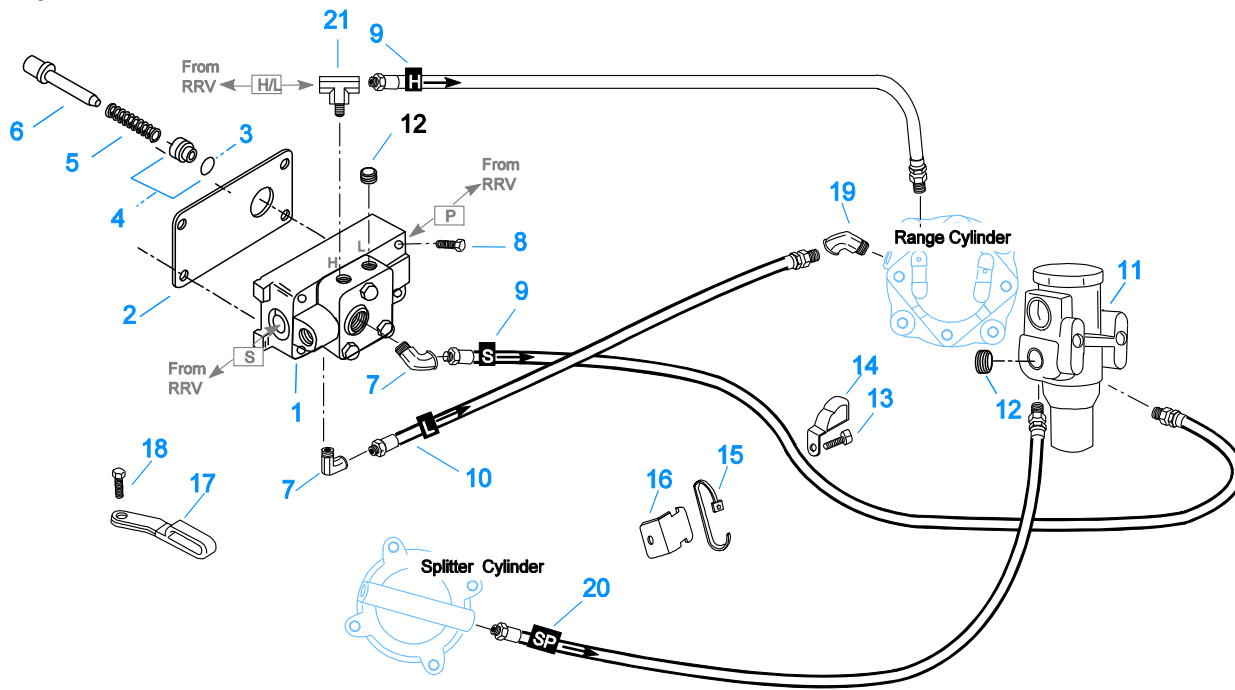
Group: H & C W/A-4688 VALVE



10112B-11-94

## H & C W/A-4688 VALVE

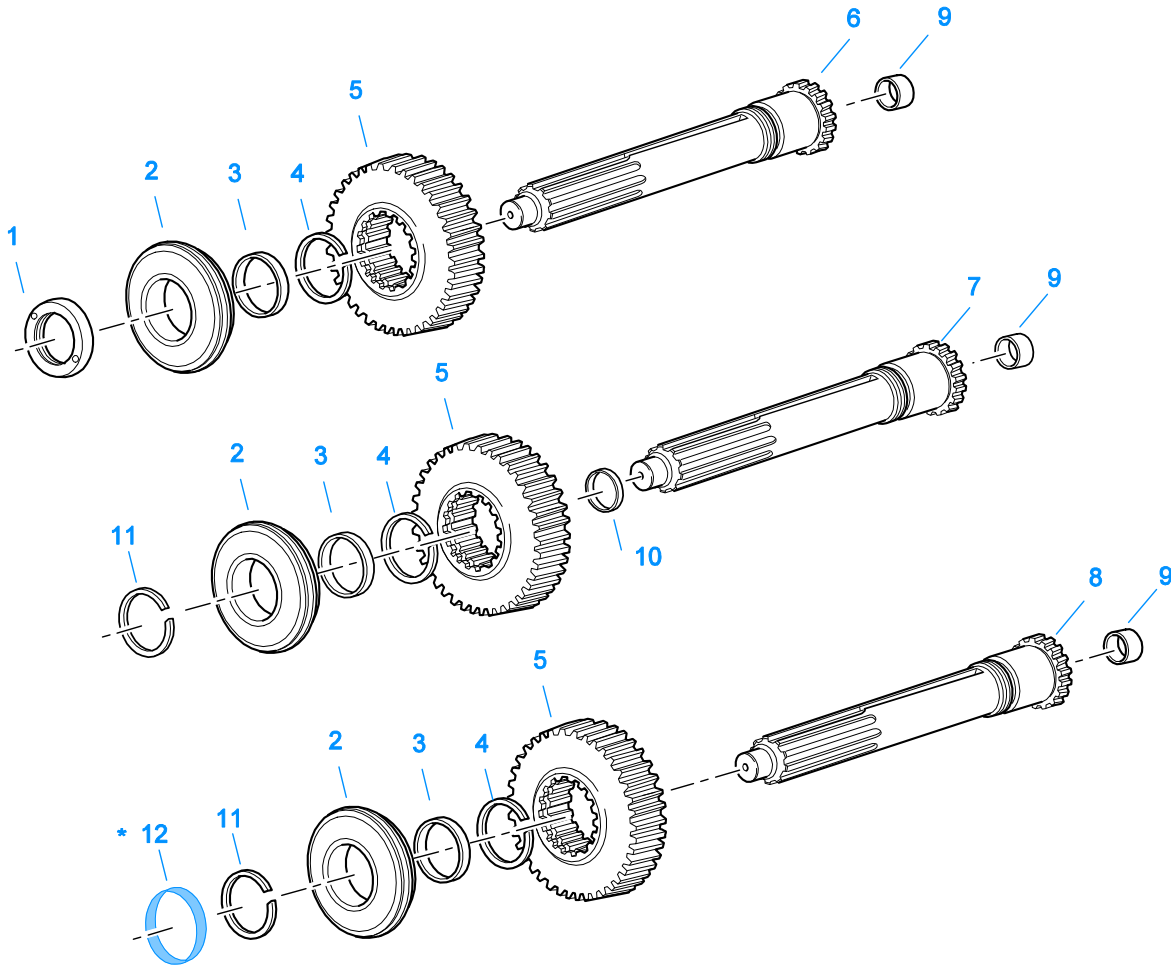
| Item | Current Part | Description      | Replaced Part          | Qty. | Notes            | Kits/Assys Where Needed |
|------|--------------|------------------|------------------------|------|------------------|-------------------------|
| 1    | A-4688       | SLAVE VALVE ASSY | 15125 ,19464 ,A - 3991 | 1    |                  |                         |
| 2    | 15758        | GASKET           |                        | 1    |                  | K-1699,K-2199           |
| 3    | X2014210     | BREATHER         | 7935                   | 1    |                  |                         |
| 4    | K-1969       | SLEEVE KIT       | 14362 19460 ,21446     | 1    | FOR SLAVE VALVES | K-1963                  |
| 5    | 6392         | SPRING           |                        | 1    |                  | S-1219,S-1531           |
| 6    | 14361        | PIN              |                        | 1    |                  |                         |
| 7    | 12845        | ELBOW            |                        | 2    | 1/8"             | K-1963,K-3692           |
| 8    | X-8L-411     | CAPSCREW         | X 8 411                | 4    | 1/4"-20X1-3/4"   |                         |
| 9    | 55522        | HOSE ASSY        |                        | 1    | 28"              |                         |
| 10   | 55523        | HOSE ASSY        |                        | 1    | 29"              | K-3692                  |
| 11   | A-4740       | FILTER/REGULATOR | 19600                  | 1    |                  | K-3692                  |
| 12   | X-12-208     | PIPE PLUG        |                        | 1    | 1/8" NPT         |                         |
| 13   | X-8L-601     | CAPSCREW         |                        | 1    | 3/8"-16X3/4"     |                         |
| 14   | 21427        | HOSE CLAMP       |                        | 1    |                  | K-3692                  |
| 15   | 21425        | STRAP            |                        | 1    |                  |                         |
| 16   | 21426        | BRACKET          |                        | 1    |                  |                         |
| 17   | 21428        | HOSE CLAMP       |                        | 1    |                  | K-3692                  |
| 18   | X-8L-604     | CAPSCREW         |                        | 1    | 3/8"-16X1-1/4"   |                         |
| 19   | 12880        | ELBOW            |                        | 1    | 1/8"             | K-2034,K-3692           |
| 20   | 55527        | HOSE ASSY        |                        | 1    | 15"              | K-2034,K-3692           |
| 21   | 12881        | TEE              |                        | 1    | 1/8"             | K-1963                  |
| 22   | 12769        | NIPPLE           |                        | 1    | 1/8"             | K-1963                  |
| 23   | 55509        | HOSE ASSY        |                        | 1    | 34"              | K-2034                  |



10110G-10/93 A-5000 HC 13spd

### H & C W/A-5000 VALVE

| Item | Current Part | Description      | Replaced Part      | Qty. | Notes            | Kits/Assys Where Needed     |
|------|--------------|------------------|--------------------|------|------------------|-----------------------------|
| 1    | A-5000       | SLAVE VALVE ASSY | 20850              | 1    |                  | K-1963,K-2424,K-3692        |
| 2    | 19481        | GASKET           |                    | 1    |                  | K-1963,K-2199,K-2424        |
| 3    | 19462        | -O- RING         | 14033              | 1    |                  | A-4688,K-1699,K-1969,K-3692 |
| 4    | K-1969       | SLEEVE KIT       | 14362 19460 ,21446 | 1    | FOR SLAVE VALVES | K-1963                      |
| 5    | 21268        | SPRING           | 19572              | 1    |                  | K-1963                      |
| 6    | 20490        | PIN              | 19459              | 1    |                  | K-1963                      |
| 7    | 12845        | ELBOW            |                    | 2    | 1/8"             | K-1963,K-3692               |
| 8    | X-8C-411     | CAPSCREW         |                    | 4    | 1/4"-20X1-3/4"   |                             |
| 9    | 55508        | HOSE ASSY        |                    | 2    | 30"              | K-2034,K-3692               |
| 10   | 55523        | HOSE ASSY        |                    | 1    | 29"              | K-3692                      |
| 11   | A-4740       | FILTER/REGULATOR | 19600              | 1    |                  | K-3692                      |
| 12   | X-12-208     | PIPE PLUG        |                    | 2    | 1/8" NPT         |                             |
| 13   | X-8L-601     | CAPSCREW         |                    | 1    | 3/8"-16X3/4"     |                             |
| 14   | 21427        | HOSE CLAMP       |                    | 1    |                  | K-3692                      |
| 15   | 21425        | STRAP            |                    | 1    |                  |                             |
| 16   | 21426        | BRACKET          |                    | 1    |                  |                             |
| 17   | 21428        | HOSE CLAMP       |                    | 1    |                  | K-3692                      |
| 18   | X-8L-604     | CAPSCREW         |                    | 1    | 3/8"-16X1-1/4"   |                             |
| 19   | 12880        | ELBOW            |                    | 1    | 1/8"             | K-2034,K-3692               |
| 20   | 55527        | HOSE ASSY        |                    | 1    | 15"              | K-2034,K-3692               |
| 21   | 21086        | BRANCH TEE       |                    | 1    | 1/8"             | K-2034,K-3692               |



10372-5/93 IS (3)

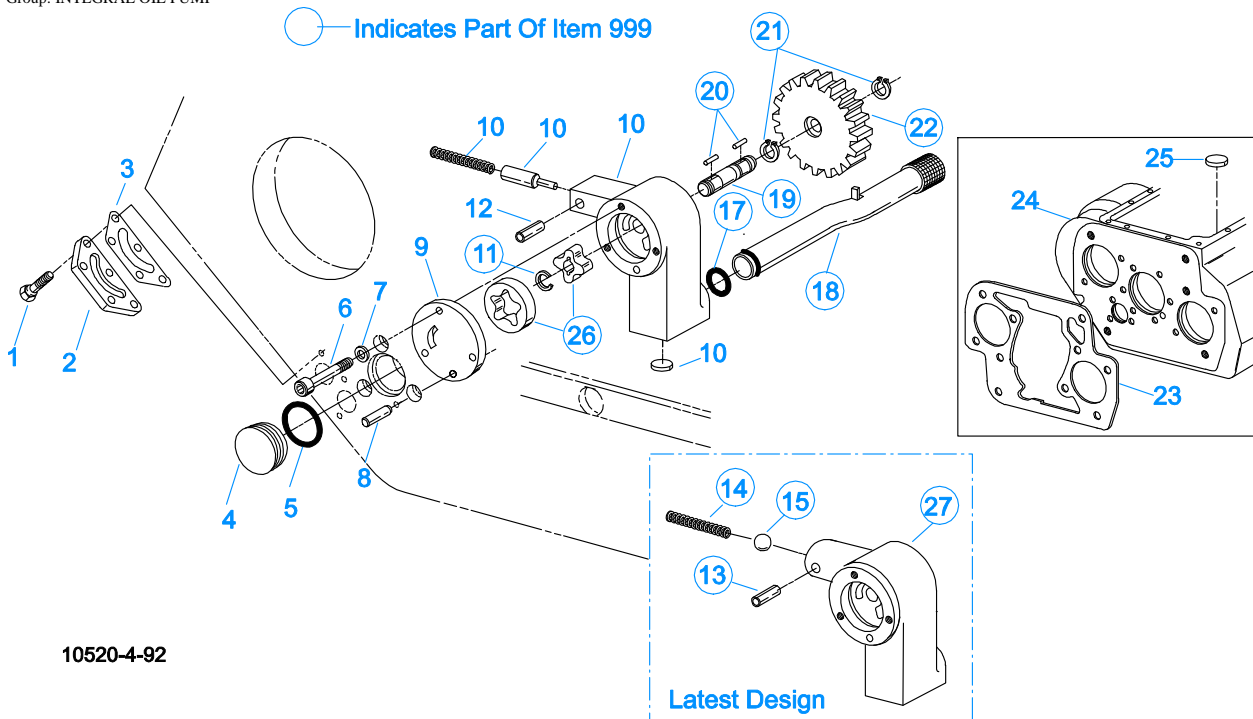
\* For Shipping Only -- Do Not Replace

## INPUT SHAFT & DRIVE GEAR

| Item | Current Part | Description     | Replaced Part       | Qty. | Notes                            | Kits/Assys Where Needed   |
|------|--------------|-----------------|---------------------|------|----------------------------------|---|
| 1    | 11466        | NUT             |                     | 1    | USE W/19716 SHAFT                |   |
| 1    | 8858         | NUT             |                     | 1    | PUSH                             |   |
| 1    | 8997         | NUT             |                     | 1    | PULL                             |   |
| 2    | 81504        | BEARING         |                     | 1    |                                  | K-1871,K-1972,K-2280,K-2341,K-2468,K-3692,K-4125                      |
| 3    | 16463        | SPACER          |                     | 1    |                                  |   |
| 4    | 14750        | SNAP RING       |                     | 1    |                                  | K-1793,K-1871,K-1972,K-2280,K-2341,K-2468,K-3692,K-4125,S-3073 K-3692 |
| 5    | 20458        | MAIN DRIVE GEAR | 19630               | 1    |                                  |   |
| 6    | S-1128       | INPUT SHAFT     | 16465               | 1    | 2" PULL - USE W/FBC 15111        |   |
| 6    | S-1129       | INPUT SHAFT     | 16466               | 1    | 2" PUSH - USE W/FBC 14994        |   |
| 7    | S-1409       | INPUT SHAFT     | 18837               | 1    | 2" PULL W/SEAL - USE W/FBC 18699 |   |
| 8    | S-1659       | INPUT SHAFT     | 20535 23566 4302661 | 1    | 2" PULL - USE W/FBC 20550        | K-1972,K-2341,K-2468,K-3692,K-4125                                    |
| 8    | S-1660       | INPUT SHAFT     | 23567               | 1    | 2" PUSH - USE W/FBC 20549        |   |
| 9    | 16566        | BUSHING         |                     | 1    |                                  | K-1871,K-2280,S-1128,S-1129,S-1409,S-1659,S-1660 S-1409               |
| 10   | 16978        | SLEEVE          |                     | 1    | 2" W/SEAL                        |   |



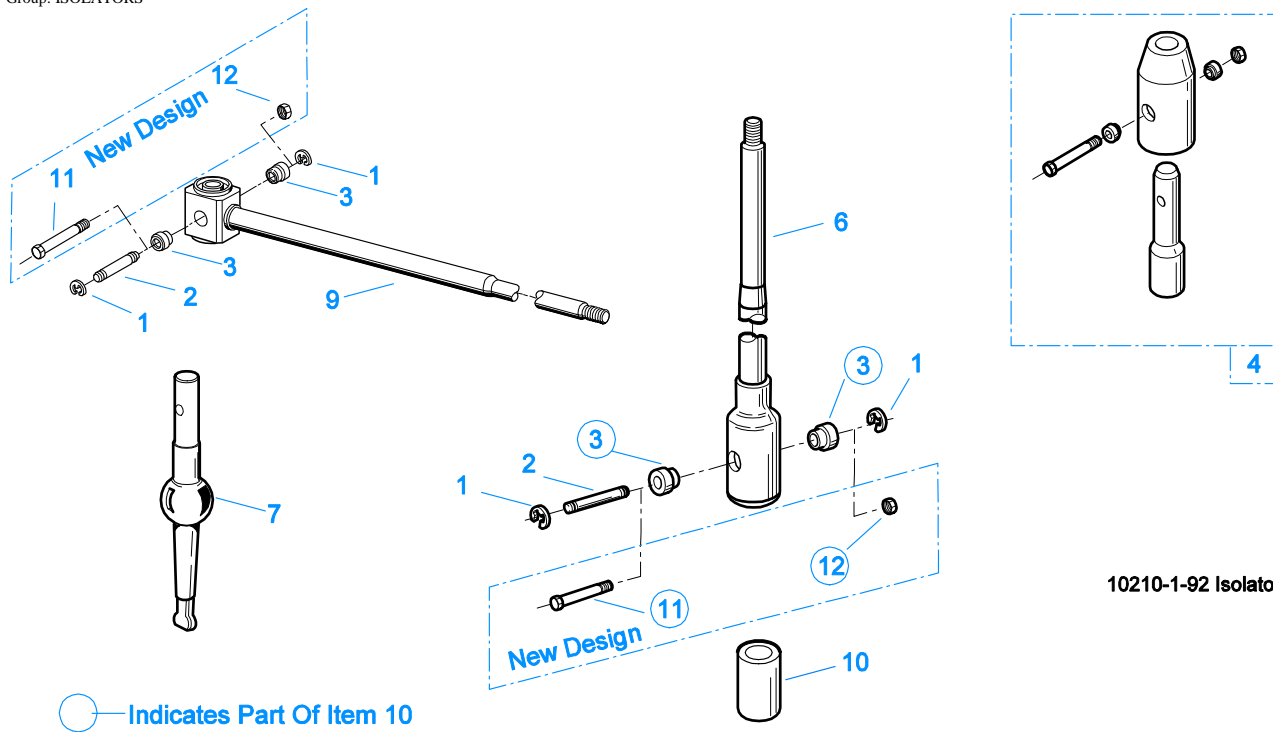
| Item | Current Part | Description   | Replaced Part | Qty. | Notes                | Kits/Assys Where Needed                   |
|------|--------------|---------------|---------------|------|----------------------|---|
| 11   | 16980        | SNAP RING     |               | 1    |                      | K-1972,K-2280,K-2341,K-2468,K-3692,K-4125 |
| 12   | 23559        | SHIPPING SEAL |               | 1    | NOT SOLD FOR SERVICE |   |



## INTEGRAL OIL PUMP

| Item | Current Part | Description           | Replaced Part  | Qty. | Notes   | Kits/Assys Where Needed            |
|------|--------------|-----------------------|--|------|---|------------------------------------|
| 1    | X-8C-409     | CAPSCREW              |  | 5    | 1/4"-20X5/8" - USE WITH 4300751 COVER               |                                    |
| 1    | X-8C-430     | CAPSCREW              |  | 5    | 1/4"-20X7/8" - USE WITH 20513 COVER                 |                                    |
| 2    | K-2402       | COVER & SCREW KIT     | 20513 ,4300751   | 1    |   | K-2402                             |
| 3    | 20514        | GASKET                |  | 1    |   |                                    |
| 4    | 20823        | PLUG                  |  | 1    |   |                                    |
| 5    | 14765        | -O- RING              |  | 1    |   | K-1432,K-1447,K-1450,K-2002        |
| 6    | X-8-448      | SCREW                 | X 8 445  | 3    | 1/4"-20X1-1/4"                                      |                                    |
| 7    | 20824        | WASHER                |  | 3    |   | K-3367                             |
| 8    | 20825        | DOWEL PIN             |  | 1    |   |                                    |
| 9    | 4303107      | RETAINER              | 20510  | 1    |   | S-1519,S-1820                      |
| 10   | K-3367       | OIL PUMP KIT          | 4301829 ,4301948 ,4303776 ,4304529 ,4304572 A - 6963 ,A - 7173 | 1    |   |                                    |
| 11   | 20518        | CRESCENT RING         |  | 1    |   |                                    |
| 12   | 62516        | ROLL PIN              | 62521  | 1    |   |                                    |
| 13   | 62514        | ROLL PIN              |  | 1    |   |                                    |
| 14   | K-3367       | OIL PUMP KIT          | 4301829 ,4301948 ,4303776 ,4304529 ,4304572 A - 6963 ,A - 7173 | 1    |   |                                    |
| 15   | X-14-700     | STEEL BALL            |  | 1    | 7/16"   |                                    |
| 17   | 20225        | -O- RING              |  | 1    |   |                                    |
| 18   | 4305713      | SUCTION TUBE          | 4304628  | 1    | O-RING INCLUDED ON SUCTION TUBE                     | K-3367                             |
| 19   | 20508        | DRIVE SHAFT           |  | 1    |   |                                    |
| 20   | 20509        | KEY                   |  | 2    |   |                                    |
| 21   | 14853        | SNAP RING             |  | 2    |   |                                    |
| 22   | 20511        | DRIVE GEAR            |  | 1    |   |                                    |
| 23   | 4306584      | CLUTCH HOUSING GASKET | 4304815,4305668  | 1    |   | K-2199                             |
| 24   | S-1519       | CASE ASSY             | 20500  | 1    | FOR USE W/INTEGRAL PUMP                             |                                    |
| 24   | S-1820       | CASE ASSY             | 4300445  | 1    | FOR USE W/INTEGRAL PUMP FOR TAPERED ROLLER BEARINGS |                                    |
| 25   | 14373        | MAGNET                |  | 3    |   | K-3692,S-1318,S-1519,S-1820,S-1888 |

| Item | Current Part | Description  | Replaced Part   | Qty. | Notes | Kits/Assys Where Needed |
|------|--------------|--------------|---|------|-------|-------------------------|
| 26   | 20507        | ELEMENT      |   | 1    |       |                         |
| 27   | K-3367       | OIL PUMP KIT | 4301829 ,4301948<br>,4303776 ,4304529<br>,4304572 A - 6963 ,A -<br>7173 | 1    |       |                         |
| 999  | K-3367       | OIL PUMP KIT | 4301829 ,4301948<br>,4303776 ,4304529<br>,4304572 A - 6963 ,A -<br>7173 | 1    |       |                         |



10210-1-92 Isolator

## ISOLATORS

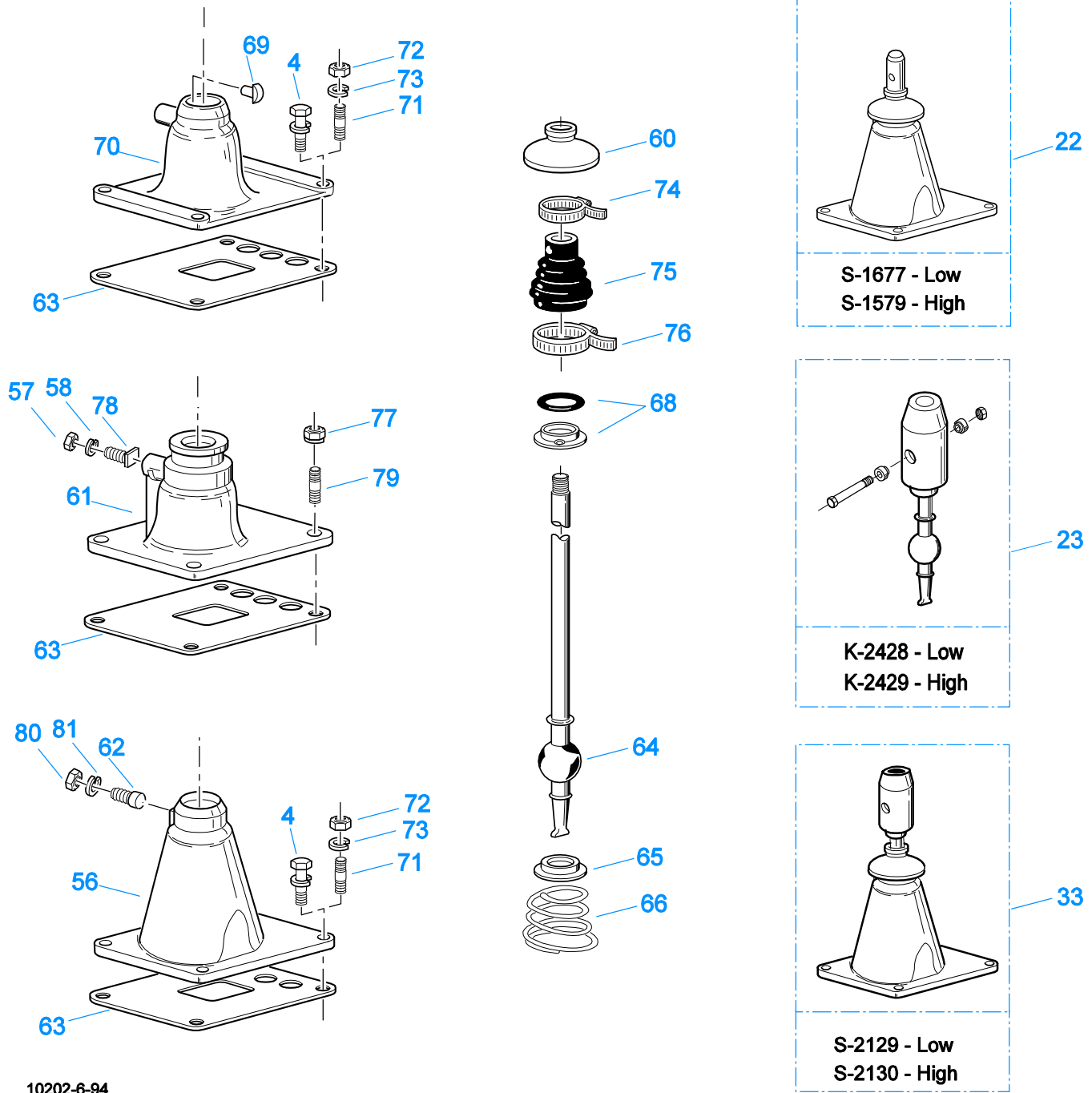
| Item | Current Part | Description          | Replaced Part | Qty. | Notes           | Kits/Assys Where Needed                   |
|------|--------------|----------------------|---------------|------|-----------------|---|
| 1    | 19124        | -E- RING             |               | 2    |                 |   |
| 2    | K-3467       | PIN REPLACEMENT KIT  | 21245         | 1    |                 |   |
| 3    | 21246        | BUSHING              |               | 2    |                 | K-2003,K-2428,K-2429,K-3399,S-2129,S-2130 |
| 4    | S-1794       | ISOLATOR ASSY        |               | 1    |                 |   |
| 6    | 21247        | LEVER                |               | 1    | STRAIGHT 18.67" |   |
| 7    | 21235        | STUB LEVER           |               | 1    | LOW TOWER       | K-2428,S-1677                             |
| 7    | 21236        | STUB LEVER           |               | 1    | HIGH TOWER      | K-2429,S-1579,S-2130                      |
| 9    | 21767        | 90 DEG LEVER         |               | 1    | STRAIGHT 33"    |   |
| 10   | K-3399       | ISOLATOR BUSHING KIT | 21244 ,23311  | 1    |                 |   |
| 11   | X-8-560      | SCREW                |               | 1    |                 |   |
| 12   | X-9-503      | NUT                  |               | 1    |                 |   |

## KITS & ASSEMBLIES

| Item   | Current Part | Description             | Replaced Part                         | Qty. | Notes  | Kits/Assys Where Needed                          |
|--------|--------------|-------------------------|---------------------------------------|------|--|--|
| K-1010 |              | SPLITTER CYLINDER KIT   | 15419                                 | 1    |  |  |
| K-1432 |              | CYL KIT-RANGE           |                                       | 1    |  |  |
| K-1447 |              | -O- RING KIT            |                                       | 1    | COMPLETE - RANGE & SPLITTER FOR SMALL BORE SIZE IN SPLITTER CYLINDER | K-1554,K-1871,K-1972,K-2280,K-2340,K-2341,K-3692 |
| K-1450 |              | -O- RING KIT-RANGE      |                                       | 1    | FOR RANGE CYLINDER   |  |
| K-1451 |              | -O- RING KIT            |                                       | 1    | FOR SPLITTER CYLINDER-SMALL BORE                                     |  |
| K-1457 |              | -O- RING KIT            |                                       | 1    | FOR INSERT VALVE   |  |
| K-1476 |              | SHIFT LEVER HSG         | 4530 ,17163 ,18298 ,4304905 ,A - 4437 | 1    | LOW TOWER  |  |
| K-1546 |              | REPL KIT-MAINSHAFT      | 15948 ,18134                          | 1    |  |  |
| K-1550 |              | REPAIR KIT-VALVE        |                                       | 1    | FOR SELECTOR VALVES  |  |
| K-1554 |              | BASIC OVERHAUL KIT      |                                       | 1    | AUX. SECTION   |  |
| K-1566 |              | VALVE REPAIR KIT        |                                       | 1    | FOR A-3546 VALVE   |  |
| K-1603 |              | GASKET KIT              |                                       | 1    | FOR AUXILIARY SECTION  | K-1554,K-2340                                    |
| K-1613 |              | CAP REPLACEMENT KIT     | 16429 ,18707                          | 1    | FOR A-4688 VALVE   |  |
| K-1631 |              | SHIFT LEVER HSG         | 14456 ,17168 ,4304327                 | 1    | LOW  |  |
| K-1644 |              | QUILL REPLACEMENT KIT   | 16833 ,16834                          | 1    |  |  |
| K-1698 |              | -O- RING/ELEMENT KIT    |                                       | 1    | FOR FILTER REGULATOR   |  |
| K-1699 |              | REPAIR KIT-SLAVE VALVE  |                                       | 1    | FOR A-4688 VALVE   |  |
| K-1700 |              | OIL COOLER KIT          |                                       | 1    |  |  |
| K-1703 |              | OIL COOLER INSTL KIT    |                                       | 1    |  |  |
| K-1704 |              | PUMP INSTALLATION KIT   |                                       | 1    |  |  |
| K-1793 |              | SMALL PARTS KIT         |                                       | 1    |  |  |
| K-1826 |              | MASTER VALVE REPAIR KIT |                                       | 1    | FOR A-4900 VALVE   |  |
| K-1871 |              | BASIC REBUILD KIT       |                                       | 1    |  |  |
| K-1935 |              | REPAIR KIT-SLAVE VALVE  |                                       | 1    | FOR A-5000 VALVE   |  |
| K-1956 |              | COOLER INSTLN KIT       |                                       | 1    |  |  |
| K-1957 |              | CYL KIT-SPLITTER        |                                       | 1    |  |  |
| K-1962 |              | GEAR KIT - SPLITTER     |                                       | 1    |  |  |
| K-1963 |              | SLAVE VLV CONVERSION KI |                                       | 1    | COVERT A-4688 TO A-5000  |  |
| K-1969 |              | SLEEVE KIT              | 14362 19460 ,21446                    | 1    | FOR SLAVE VALVES   | K-1963   |
| K-1972 |              | BASIC OVERHAUL KIT      |                                       | 1    | PULL TYPE - 2" INPUT SHAFT   |  |
| K-2002 |              | -O- RING KIT            |                                       | 1    | COMPLETE - RANGE & SPLITTER FOR ENLARGED BORE SIZE IN SPLT. CYLINDER |  |
| K-2003 |              | PIN & BUSHING KIT       |                                       | 1    |  |  |
| K-2013 |              | VALVE CONV KIT          |                                       | 1    |  |  |
| K-2034 |              | CONVERSION KIT          |                                       | 1    | TO CONVERT RT-14609A TO RTO-14613                                    |  |
| K-2053 |              | MASTER VALVE REPAIR KIT |                                       | 1    | FOR A-5313 VALVE   |  |
| K-2078 |              | -O- RING KIT - SPLITTER |                                       | 1    | FOR SPLITTER CYLINDER-ENLARGED BORE                                  |  |
| K-2199 |              | GASKET KIT              |                                       | 1    |  | K-1871,K-1972,K-2280,K-2341,K-3692               |
| K-2256 |              | OIL SEAL KIT            | 21036                                 | 1    |  |  |
| K-2262 |              | OIL SEAL KIT            | 19109 20807 20808                     | 1    | "FOR MECHANICAL COVER"   | K-2280,K-2340,K-2341                             |
| K-2280 |              | BASIC REBUILD KIT       |                                       | 1    | W/TAPERED BEARING  |  |
| K-2316 |              | REPL KIT-DRIVE GEAR     | 4300463 4300547                       | 1    | RT/RTO-14613   | K-2034   |
| K-2340 |              | BASIC OVERHAUL KIT      |                                       | 1    | AUX. SECTION - W/TAPERED BEARING                                     |  |
| K-2341 |              | BASIC OVERHAUL KIT      |                                       | 1    | W/TAPERED BEARING  |  |
| K-2394 |              | AIR SYSTEMS TOOL KIT    |                                       | 1    |  |  |
| K-2424 |              | VALVE REPLACEMENT KIT   | 19470                                 | 1    |  |  |
| K-2428 |              | LEVER REPLACEMENT KIT   |                                       | 1    | LOW TOWER  |  |
| K-2429 |              | LEVER REPLACEMENT KIT   |                                       | 1    | HIGH TOWER   |  |
| K-2430 |              | SHIM KIT                | 21452                                 | 1    |  | K-2280,K-2340,K-                                 |

| Item | Current Part | Description                                     | Replaced Part  | Qty. | Notes  | Kits/Assys Where Needed            |
|------|--------------|---|--|------|--|------------------------------------|
|      | K-2439       | KEY & WASHER KIT                                |  | 1    | CONTAINS 3-SIDED KEY   | 2341,S-2262                        |
|      | K-2468       | CLUTCH INSTALLATION KIT                         |  | 1    | FOR USE WITH S-1659 INPUT SHAFT ASSY AND 81504 INPUT SHAFT BEARING |                                    |
|      | K-2934       | COUNTERSHAFT REPL KIT                           | 19549  | 1    |  |                                    |
|      | K-2973       | SHIFT LEVER HSG KIT                             | 17166 ,17167 ,4303050 ,4304910 ,K - 1630 K - 1941  | 1    | HIGH TOWER   |                                    |
|      | K-3155       | WASHER UPDATE KIT                               |  | 1    | RT/RTO/F-14613   |                                    |
|      | K-3193       | MASTER VALVE REPAIR KIT                         |  | 1    | FOR A-6913 VALVE   |                                    |
|      | K-3195       | MASTER VALVE REPAIR KIT                         |  | 1    | FOR A-7313 VALVE   |                                    |
|      | K-3217       | IDLER SHAFT REPL KIT                            | 4302981  | 1    |  |                                    |
|      | K-3331       | SPLITTER VLV REPL KIT                           | 4300927 4304031 ,4304032 ,A - 6862   | 1    |  | K-1010                             |
|      | K-3367       | OIL PUMP KIT                                    | 4301829 ,4301948 ,4303776 ,4304529 ,4304572 A - 6963 ,A - 7173   | 1    |  |                                    |
|      | K-3399       | ISOLATOR BUSHING KIT                            | 21244 ,23311   | 1    |  |                                    |
|      | K-3467       | PIN REPLACEMENT KIT                             | 21245  | 1    |  |                                    |
|      | K-3473       | PUMP INSTALLATION KIT                           | K - 2407   | 1    | USE W/TAPERED BEARINGS   |                                    |
|      | K-3491       | SYNCHRONIZER KIT                                | K - 2445   | 1    | LO RANGE / SMALL PIN   |                                    |
|      | K-3492       | SYNCHRONIZER KIT                                | K - 2446   | 1    | LO RANGE / LARGE PIN   |                                    |
|      | K-3494       | SYNCHRONIZER REPLACEMENT KIT                    | K - 2448   | 1    | SLIDING CLUTCH INCLUDED IN KIT                                     |                                    |
|      | K-3651       | OIL SEAL TOOL KIT                               |  | 1    |  |                                    |
|      | K-3692       | MASTER REBUILDER KIT                            |  | 1    | USE TO REBUILD RTO-14613 W/SELECTIVE WASHERS ONLY                  |                                    |
|      | K-4125       | CLUTCH INSTALLATION KIT (RT), HYDRAULIC RELEASE |  | 1    | STANDARD RT INPUT SHAFT AND YOKE FOR HYDRAULIC CLUTCH RELEASE      |                                    |
|      | S-1128       | INPUT SHAFT                                     | 16465  | 1    | 2" PULL  |                                    |
|      | S-1129       | INPUT SHAFT                                     | 16466  | 1    | 2" PUSH  |                                    |
|      | S-1219       | YOKE ASSY LOW-REV                               |  | 1    |  |                                    |
|      | S-1318       | CASE ASSY                                       | 15390  | 1    |  |                                    |
|      | S-1341       | MAINSHAFT ASSY                                  | 16761 ,18729   | 1    |  |                                    |
|      | S-1404       | OIL FILTER                                      | 17238  | 1    |  |                                    |
|      | S-1409       | INPUT SHAFT                                     | 18837  | 1    | 2" PULL W/SEAL   |                                    |
|      | S-1440       | SHIFT BAR HSG (STD)                             | 15890 15928 16913 ,17115 ,17180 ,17182 ,17428 18571 ,18640 ,18644 ,18840 ,18847 19448 ,19449 ,19453 ,19454 ,19455 20074 ,20210 ,20211 ,21133 ,22955 S - 1360 ,S - 1376 ,S - 1377 | 1    | HOUSING ONLY   |                                    |
|      | S-1455       | RANGE SECTION ASSY                              |  | 1    |  | K-2034                             |
|      | S-1455R      | REMAN RANGE SECTION ASSY                        |  | 1    |  |                                    |
|      | S-1516       | CAP ASSY  | 20851 ,20853   | 1    | FOR A-5000 VALVE   |                                    |
|      | S-1519       | CASE ASSY                                       | 20500  | 1    | FOR USE W/INTEGRAL PUMP  |                                    |
|      | S-1531       | SHIFT BAR HSG ASSY (STD)                        | 20211 ,22955   | 1    | COMPLETE   |                                    |
|      | S-1659       | INPUT SHAFT                                     | 20535 23566 4302661  | 1    | 2" PULL - USE W/FBC 20550  | K-1972,K-2341,K-2468,K-3692,K-4125 |
|      | S-1660       | INPUT SHAFT ASSY                                | 23567  | 1    | 2" PUSH - USE W/FBC 20549  |                                    |
|      | S-1794       | ISOLATOR ASSY                                   |  | 1    |  |                                    |
|      | S-1820       | CASE ASSY                                       | 4300445  | 1    | FOR USE W/INTEGRAL PUMP FOR TAPERED ROLLER BEARINGS                |                                    |
|      | S-1888       | CASE ASSY                                       | 4300590  | 1    | FOR TAPERED ROLLER BEARINGS  |                                    |
|      | S-2119       | REAR BRG COVER ASSY                             | 20048 ,22045 ,4302009 ,4302031 ,S - 1558 S - 1560  | 1    | EXTENDED   |                                    |
|      | S-2129       | SHIFT LEVER HSG ASSY                            |  | 1    | LOW TOWER  |                                    |
|      | S-2130       | SHIFT LEVER HSG ASSY                            | S - 2053   | 1    | HIGH TOWER   |                                    |
|      | S-2151       | REAR BRG COVER ASSY                             | S - 1429   | 1    |  |                                    |
|      | S-2262       | RANGE SECTION ASSY                              |  | 1    | RTO-14613 - W/TAPERED BEARINGS                                     |                                    |

| Item | Current Part | Description                  | Replaced Part   | Qty. | Notes                             | Kits/Assys Where Needed |
|------|--------------|------------------------------|-----------------|------|-----------------------------------|-------------------------|
|      | S-2262R      | REMAN RANGE SECTION ASSY     |                 | 1    | RTO-14613 - W/TAPERED BEARINGS    |                         |
|      | S-2546       | ROADRANGER VALVE ASSY        | A - 5041        | 1    | RTO - W/SHIFT DIAGRAM MEDALLION   |                         |
|      | S-2688       | MAINSHAFT ASSY               | 4303404 4303913 | 1    |                                   | K-3155,S-3073           |
|      | S-3073       | MAINSHAFT ASSY               |                 | 1    | COMPLETE MAINSHAFT ASSEMBLY       |                         |
|      | S-3074       | COUNTERSHAFT ASSEMBLY, LEFT  |                 | 1    | COMPLETE COUNTERSHAFT ASSY, LEFT  |                         |
|      | S-3075       | COUNTERSHAFT ASSEMBLY, RIGHT |                 | 1    | COMPLETE COUNTERSHAFT ASSY, RIGHT |                         |



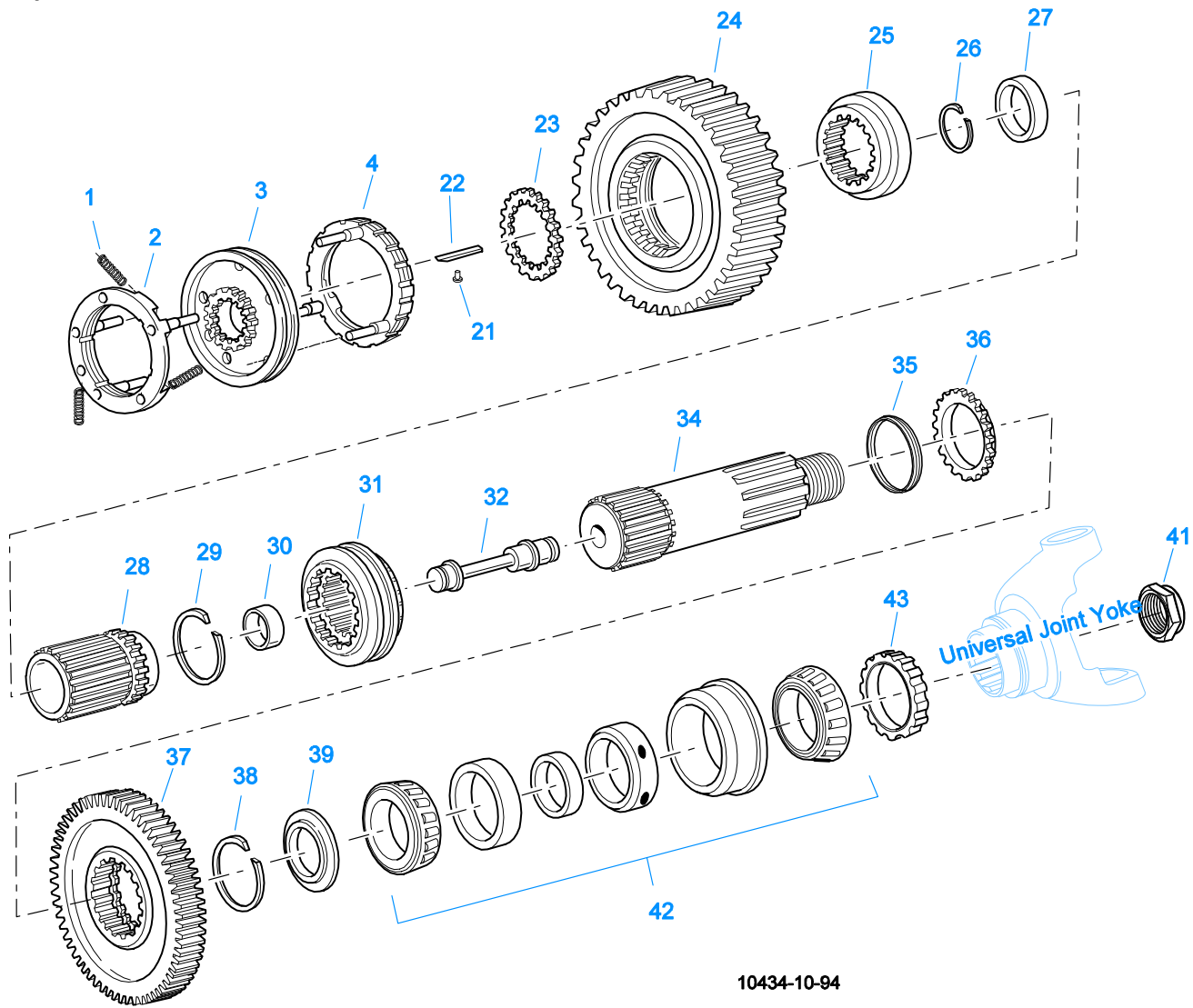
10202-6-94

## LEVERS/HOUSINGS

| Item | Current Part | Description           | Replaced Part                                | Qty. | Notes          | Kits/Assys Where Needed |
|------|--------------|-----------------------|--|------|----------------|-------------------------|
| 4    | X-8C-604     | CAPSCREW              |  | 4    | 3/8"-16X1-1/4" | S-1531                  |
| 22   | S-1579       | SHIFT TOWER ASSY      |  | 1    | HIGH TOWER     |                         |
| 22   | S-1677       | SHIFT TOWER ASSY      |  | 1    | LOW TOWER      |                         |
| 23   | K-2428       | LEVER REPLACEMENT KIT |  | 1    | LOW TOWER      |                         |
| 23   | K-2429       | LEVER REPLACEMENT KIT |  | 1    | HIGH TOWER     |                         |
| 33   | S-2129       | SHIFT LEVER HSG ASSY  |  | 1    | LOW TOWER      |                         |
| 33   | S-2130       | SHIFT LEVER HSG ASSY  | S - 2053                                     | 1    | HIGH TOWER     |                         |
| 56   | K-2973       | SHIFT LEVER HSG KIT   | 17166 ,17167 ,4303050 ,4304910 ,K - 1630 K - | 1    | HIGH TOWER     |                         |



| Item | Current Part | Description         | Replaced Part                         | Qty. | Notes                  | Kits/Assys Where Needed  |
|------|--------------|---------------------|---------------------------------------|------|------------------------|--|
|      |              |                     | 1941                                  |      |                        |  |
| 57   | X-1-500      | NUT                 |                                       | 1    | 5/16"-24               |  |
| 58   | X-3-500      | LOCKWASHER          |                                       | 1    | 5/16"                  |  |
| 60   | 10427        | BOOT                |                                       | 1    |                        | K-1476,K-2973,S-1579,S-1677,S-2130   |
| 61   | K-1631       | SHIFT LEVER HSG     | 14456 ,17168 ,4304327                 | 1    | LOW, USE W/14795 BOOT  |  |
| 62   | 6541         | PIN                 |                                       | 1    | 3/8"                   |  |
| 63   | 4305294      | GASKET              | 4303431                               | 1    |                        | K-1476,K-1631,K-1700,K-1703,K-2199,K-2428,K-2429,K-2973,S-1531,S-1579,S-1677,S-2129,S-2130 |
| 64   | 17600        | GEAR SHIFT LEVER    |                                       | 1    | STRAIGHT - LOW 21-1/2" |  |
| 64   | 18482        | GEAR SHIFT LEVER    |                                       | 1    | STRAIGHT - HIGH 35"    |  |
| 65   | 2538         | RETAINER            |                                       | 1    |                        | K-1476,K-2973,S-1579,S-1677,S-2130   |
| 66   | 2536         | SPRING              |                                       | 1    |                        | K-1476,K-2973,S-1579,S-1677,S-2130   |
| 68   | K-3376       | O-RING & WASHER KIT | 4301211                               | 1    |                        |  |
| 69   | 18299        | PIN                 |                                       | 1    |                        | K-1476,S-1677  |
| 70   | K-1476       | SHIFT LEVER HSG     | 4530 ,17163 ,18298 ,4304905 ,A - 4437 | 1    | LOW TOWER              |  |
| 71   | 11934        | STUD                | 7467                                  | 4    |                        |  |
| 72   | X-1-600      | NUT                 |                                       | 4    | 3/8"-24-N.F.PLAIN      |  |
| 73   | X-3-600      | LOCKWASHER          |                                       | 4    | 3/8"                   |  |
| 74   | 14453        | CLAMP               |                                       | 1    |                        |  |
| 75   | 14795        | BOOT                |                                       | 1    |                        |  |
| 76   | 14454        | CLAMP               |                                       | 1    |                        |  |
| 77   | X-1-604      | NUT                 |                                       | 4    | 3/8"-24                |  |
| 78   | 14461        | PIN                 |                                       | 1    |                        |  |
| 79   | 14236        | NO LONGER AVAILABLE |                                       | 4    |                        |  |
| 80   | X-1-600      | NUT                 |                                       | 1    | 3/8"-24-N.F.PLAIN      |  |
| 81   | X-3-600      | LOCKWASHER          |                                       | 1    | 3/8"                   |  |

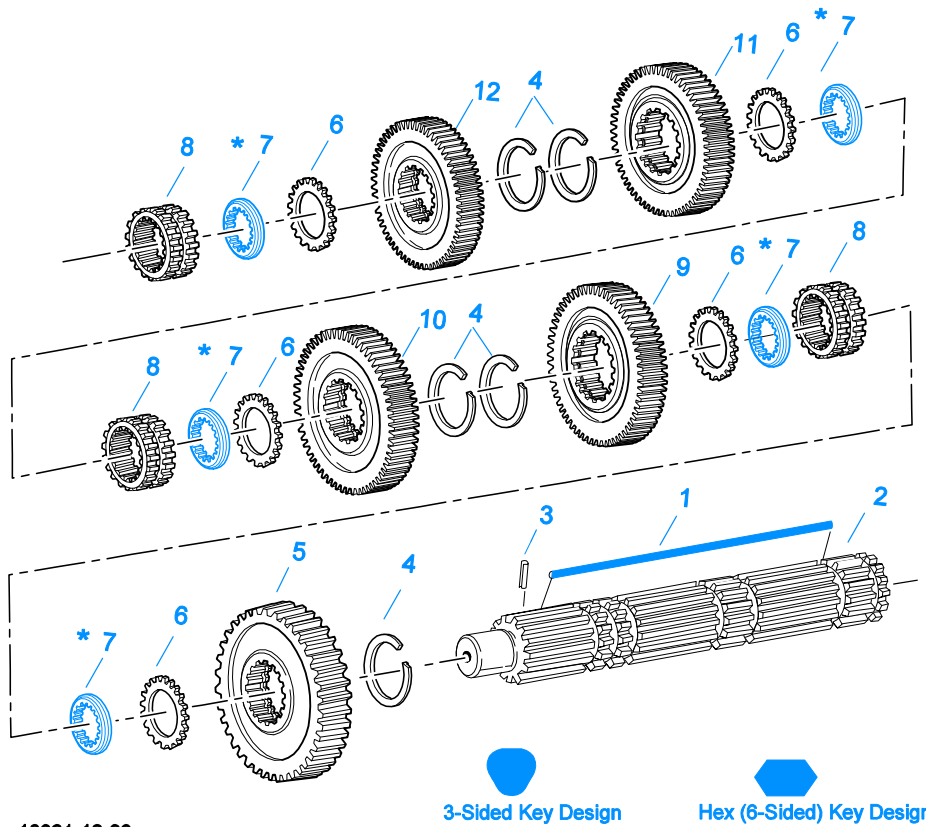


10434-10-94

## MAINSHAFT & SYNCHRO(AUX)

| Item | Current Part | Description             | Replaced Part            | Qty. | Notes                | Kits/Assys Where Needed  |
|------|--------------|-------------------------|--------------------------|------|----------------------|--|
| 1    | 14897        | SPRING                  |                          | 3    |                      | K-1554,K-1793,K-1871,K-1972,K-2280,K-2340,K-2341,K-3491,K-3492,K-3494,K-3692 |
| 2    | A-7331       | SYNCHRONIZER ASSY       | 4304396 4304397 A - 5917 | 1    | HI RANGE             | K-3491,K-3492,K-3494,K-3692  |
| 3    | 20323        | SLIDING CLUTCH          |                          | 1    |                      | K-3494,K-3692  |
| 4    | A-6153       | SYNCHRONIZER ASSY       | A - 4416                 | 1    | LO RANGE - SMALL PIN | K-3491   |
| 4    | A-7254       | SYNCHRONIZER ASSEMBLY   | A - 4937 A - 5876        | 1    | LO RANGE - LARGE PIN | K-3492,K-3494,K-3692   |
| 21   | 14832        | PIN                     |                          | 1    |                      | A-3697   |
| 22   | A-3697       | KEY & PIN ASSY          | 15516                    | 1    |                      | K-1554,K-1793,K-2340,K-3692  |
| 23   | 15932        | WASHER .202-.204 BLACK  |                          | 1    |                      | K-3692   |
| 23   | 17257        | WASHER .206-.208 PURPLE |                          | 1    |                      | K-1793,K-3692  |
| 23   | 17258        | WASHER .210-.212 YELLOW |                          | 1    |                      | K-3692   |
| 24   | 20388        | REDUCTION GEAR          | 19223                    | 1    |                      |  |
| 25   | 4303859      | MAINSHAFT COUPLER       | 19131                    | 1    |                      | K-1962   |
| 26   | 14291        | SNAP RING               |                          | 1    |                      | K-1554,K-1793,K-1871,K-1972,K-   |

| Item | Current Part | Description           | Replaced Part          | Qty. | Notes | Kits/Assys Where Needed   |
|------|--------------|-----------------------|------------------------|------|-------|---|
| 27   | 81547-BOX    | BEARING               | 81547                  | 1    |       | 2280,K-2340,K-2341,K-3692<br>K-1554,K-1871,K-1972,K-2280,K-2340,K-2341,K-3692 |
| 28   | K-1546       | REPL KIT-MAINSHAFT    | 15948 ,18134           | 1    |       |   |
| 29   | 18135        | SNAP RING             |                        | 1    |       | K-1546,K-1793   |
| 30   | 16516        | BUSHING               |                        | 1    |       | K-1871,K-1972,K-2280,K-2341,K-3692  |
| 31   | 19132        | SLIDING CLUTCH        |                        | 1    |       | K-1962  |
| 32   | K-1644       | QUILL REPLACEMENT KIT | 16833 ,16834           | 1    |       |   |
| 34   | A-4414       | MAINSHAFT ASSY        | 18018 ,20387 ,A - 4975 | 1    |       |   |
| 35   | 18019        | WASHER                |                        | 1    |       | K-1793,K-3692   |
| 36   | 18251        | SPACER                | 16316                  | 1    |       | K-1793,K-1962,K-3692  |
| 37   | 20917        | SPLITTER GEAR         | 19663                  | 1    |       | K-1962  |
| 38   | 14327        | SNAP RING             |                        | 1    |       | K-1793  |
| 39   | 16315        | WASHER                |                        | 1    |       | K-1793  |
| 41   | 22254        | NUT                   | 11956                  | 1    |       | K-3692,S-1455,S-2262  |
| 42   | 15260        | BEARING               |                        | 1    |       | K-1554,K-1871,K-1972,K-2280,K-2340,K-2341,K-3692                              |
| 43   | 20191        | ROTOR                 |                        | 1    |       |   |



10321-12-93

**\* Updating to 3-Sided Key is Recommended.**  
**When Updating to 3-Sided Key Replace all Washers to Match Key Design**  
**Always Use Matching Key and Washer Sets (See Appendix - Mainshaft Washers)**

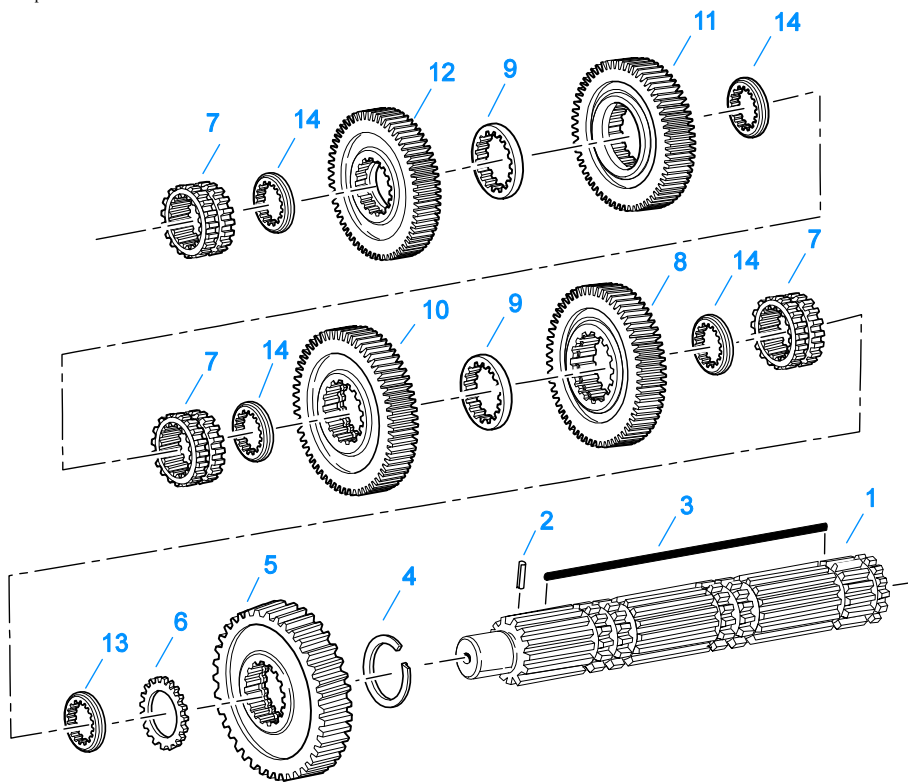
**MAINSHAFT ASSY**

| Item | Current Part | Description             | Replaced Part   | Qty. | Notes   | Kits/Assys Where Needed  |
|------|--------------|-------------------------|-----------------|------|---|--|
| 1    | 17109        | HEX (6-SIDED) KEY       |                 | 1    | MUST USE MATCHING WASHERS                                 |  |
| 1    | 4304615      | 3-SIDED KEY             | 4300120         | 1    |   | K-2439   |
| 1    | K-2439       | KEY & WASHER KIT        |                 | 1    | CONTAINS 3-SIDED KEY                                      |  |
| 2    | S-1341       | MAINSHAFT ASSY          | 16761 ,18729    | 1    |   | K-3155,S-3073  |
| 2    | S-2688       | MAINSHAFT ASSY          | 4303404 4303913 | 1    |   | S-1341,S-2688  |
| 3    | 62504        | ROLL PIN                |                 | 1    |   | K-1793,K-1871,K-1972,K-2280,K-2341,K-2468,K-3692,K-4125,S-3073 |
| 4    | 14750        | SNAP RING               |                 | 5    |   | S-3073   |
| 5    | 16756        | REVERSE GEAR-MAINSHAFT  | 22408           | 1    |   |  |
| 6    | 14749        | SPACER                  |                 | 5    |   | K-1793,S-3073  |
| 7    | 14711        | WASHER .248-.250 WHITE  | 18701           | 5    | OPTIONAL 14711-14716 USE ANY 5 WASHERS USE WITH 17109 KEY | K-1793   |
| 7    | 14712        | WASHER .253-.255 GREEN  | 18702           | 5    | OPTIONAL 14711-14716 USE ANY 5 WASHERS USE WITH 17109 KEY | K-1793   |
| 7    | 14713        | WASHER .258-.260 ORANGE | 18703           | 5    | OPTIONAL 14711-14716 USE ANY 5 WASHERS USE WITH 17109 KEY | K-1793   |
| 7    | 14714        | WASHER .263-.265 PURPLE | 18704           | 5    | OPTIONAL 14711-14716 USE ANY 5 WASHERS USE WITH 17109 KEY |  |
| 7    | 14715        | WASHER .268-.270 YELLOW | 18705           | 5    | OPTIONAL 14711-14716 USE ANY 5 WASHERS USE WITH 17109 KEY |  |
| 7    | 14716        | WASHER .273-.275 BLACK  | 18706           | 5    | OPTIONAL 14711-14716 USE ANY 5 WASHERS USE WITH 17109 KEY |  |
| 7    | 4300382      | WASHER .249-WHITE       |                 | 5    |   | K-2439,K-3692  |

| Item | Current Part | Description        | Replaced Part | Qty. | Notes   | Kits/Assys Where Needed     |
|------|--------------|--------------------|---------------|------|---|-----------------------------|
| 7    | 4300383      | WASHER .254-GREEN  |               | 5    | OPTIONAL 4300382-4300387 OR 4300830 USE ANY 5 WASHERS. USE WITH 3-SIDED KEY | K-2439,K-3692               |
| 7    | 4300384      | WASHER .259-ORANGE |               | 5    | OPTIONAL 4300382-4300387 OR 4300830 USE ANY 5 WASHERS. USE WITH 3-SIDED KEY | K-2439,K-3692               |
| 7    | 4300385      | WASHER .264-PURPLE |               | 5    | OPTIONAL 4300382-4300387 OR 4300830 USE ANY 5 WASHERS. USE WITH 3-SIDED KEY |                             |
| 7    | 4300386      | WASHER .269-YELLOW |               | 5    | OPTIONAL 4300382-4300387 OR 4300830 USE ANY 5 WASHERS. USE WITH 3-SIDED KEY |                             |
| 7    | 4300387      | WASHER .274-BLACK  |               | 5    | OPTIONAL 4300382-4300387 OR 4300830 USE ANY 5 WASHERS. USE WITH 3-SIDED KEY |                             |
| 7    | 4300830      | WASHER .244-BLUE   |               | 5    |   | K-2439,K-3692,S-3073        |
| 8    | 16118        | SLIDING CLUTCH     |               | 3    |   | K-1972,K-2341,K-3692,S-3073 |
| 9    | 16754        | LO GEAR-MAINSHAFT  |               | 1    |   |                             |
| 10   | 20389        | 1ST GEAR-MAINSHAFT | 19246         | 1    |   |                             |
| 11   | 20390        | 2ND GEAR-MAINSHAFT | 19614         | 1    |   |                             |
| 12   | 20391        | 3RD GEAR-MAINSHAFT | 19242         | 1    |   | K-3692                      |

## MISCELLANEOUS

| Item    | Current Part | Description         | Replaced Part | Qty. | Notes                            | Kits/Assys Where Needed   |
|---------|--------------|---------------------|---------------|------|----------------------------------|---|
| 20393   |              | SHIFT DIAGRAM LABEL |               | 1    | RTO-RTOX - W/RATIO CONTROL       |   |
| 21075   |              | WARNING LABEL       |               | 1    |                                  |   |
| 23360   |              | SHIFT DIAGRAM LABEL |               | 1    | RTO (LEFT OF DRIVER)             |   |
| 4300764 |              | SHIFT DIAGRAM LABEL | 19819 20161   | 1    | RTO-RTOX                         | K-2034  |
| 71203   |              | SILICONE LUBE       |               | 1    | 8 OZ (236.59 CC)-FLEET SIZE      |   |
| 71204   |              | ADHESIVE SEALANT    |               | 1    | 0.5 CC (SINGLE APPLICATION SIZE) | K-1554,K-1871,K-1972,K-2280,K-2340,K-2341,K-3473,K-3692                             |
| 71205   |              | SEALANT             |               | 1    | 2 CC (SINGLE APPLICATION SIZE)   | K-1700,K-1703,K-1972,K-2341,K-3692  |
| 71206   |              | SILICONE LUBE       |               | 1    | 4 CC (SINGLE APPLICATION SIZE)   | K-1432,K-1447,K-1450,K-1451,K-1566,K-1699,K-1957,K-2002,K-2078,K-2428,K-2429,K-3331 |

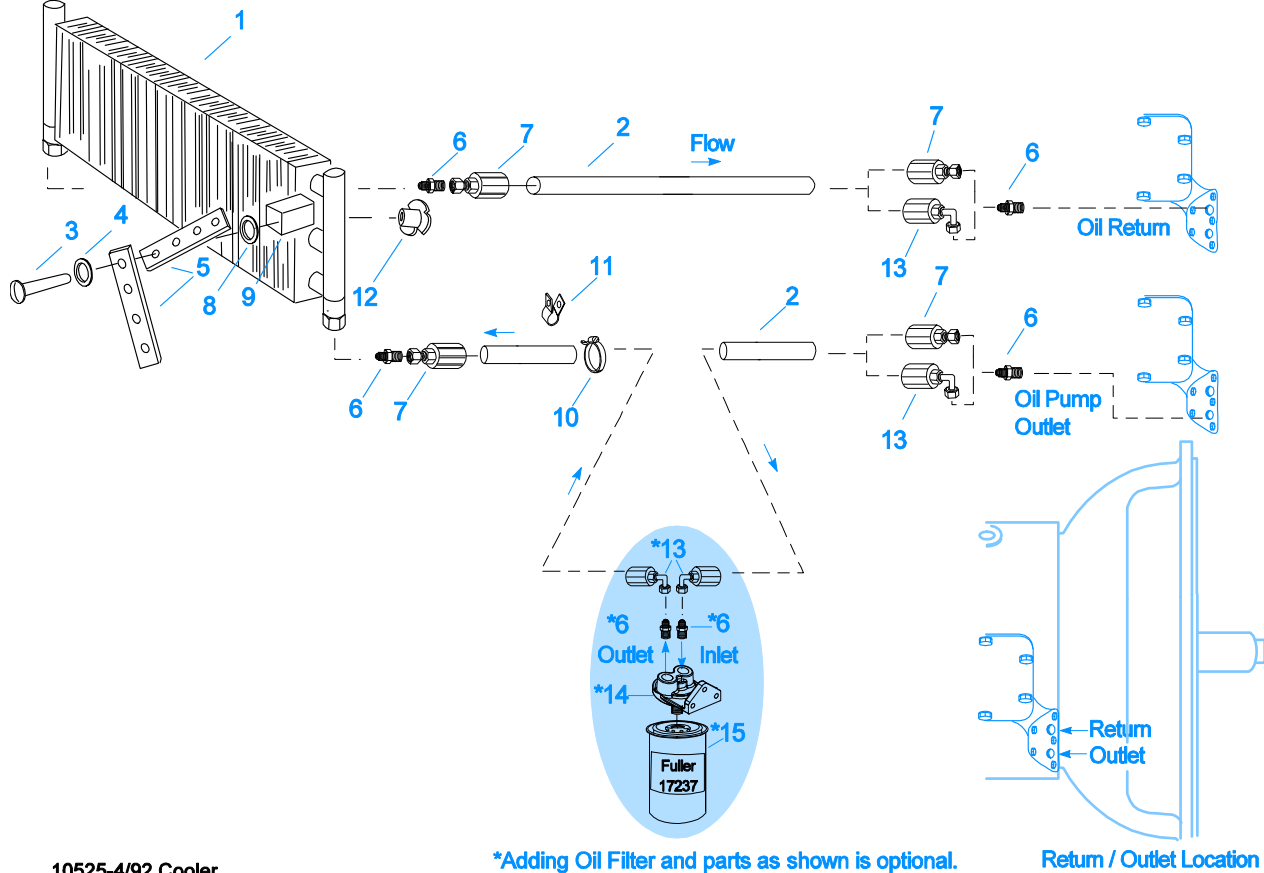


10337A-10-96

**NON-SELECTIVE M/S ASSY**

| Item | Current Part | Description            | Replaced Part   | Qty. | Notes                       | Kits/Assys Where Needed  |
|------|--------------|------------------------|-----------------|------|-----------------------------|--|
| 0    | S-3073       | MAINSHAFT ASSY         |                 | 1    | COMPLETE MAINSHAFT ASSEMBLY |  |
| 1    | S-2688       | MAINSHAFT ASSY         | 4303404 4303913 | 1    |                             | K-3155,S-3073  |
| 2    | 62504        | ROLL PIN               |                 | 1    |                             | S-1341,S-2688  |
| 3    | 4304614      | 3-SIDED KEY            | 4300890         | 1    |                             | K-3155,K-3692,S-3073   |
| 4    | 14750        | SNAP RING              |                 | 1    |                             | K-1793,K-1871,K-1972,K-2280,K-2341,K-2468,K-3692,K-4125,S-3073 |
| 5    | 16756        | REVERSE GEAR-MAINSHAFT | 22408           | 1    |                             | S-3073   |
| 6    | 14749        | SPACER                 |                 | 1    |                             | K-1793,S-3073  |
| 7    | 16118        | SLIDING CLUTCH         |                 | 3    |                             | K-1972,K-2341,K-3692,S-3073                                    |
| 8    | 4303409      | LO GEAR-MAINSHAFT      | 4303407         | 1    |                             | K-3155,S-3073  |
| 9    | 4303603      | WASHER                 | 4302397         | 2    |                             | K-3155,S-3073  |
| 10   | 4303477      | 1ST GEAR-MAINSHAFT     | 4303414         | 1    |                             | K-3155,S-3073  |
| 11   | 4302384      | 2ND GEAR-MAINSHAFT     | 4302385         | 1    |                             | K-3155,S-3073  |
| 12   | 4303476      | 3RD GEAR-MAINSHAFT     | 4303452         | 1    |                             | K-3155,S-3073  |
| 13   | 4300830      | WASHER .244-BLUE       |                 | 1    |                             | K-2439,K-3692,S-3073   |
| 14   | 4302398      | WASHER                 |                 | 4    |                             | K-3155,S-3073  |

Group: OIL COOLER



10525-4/92 Cooler

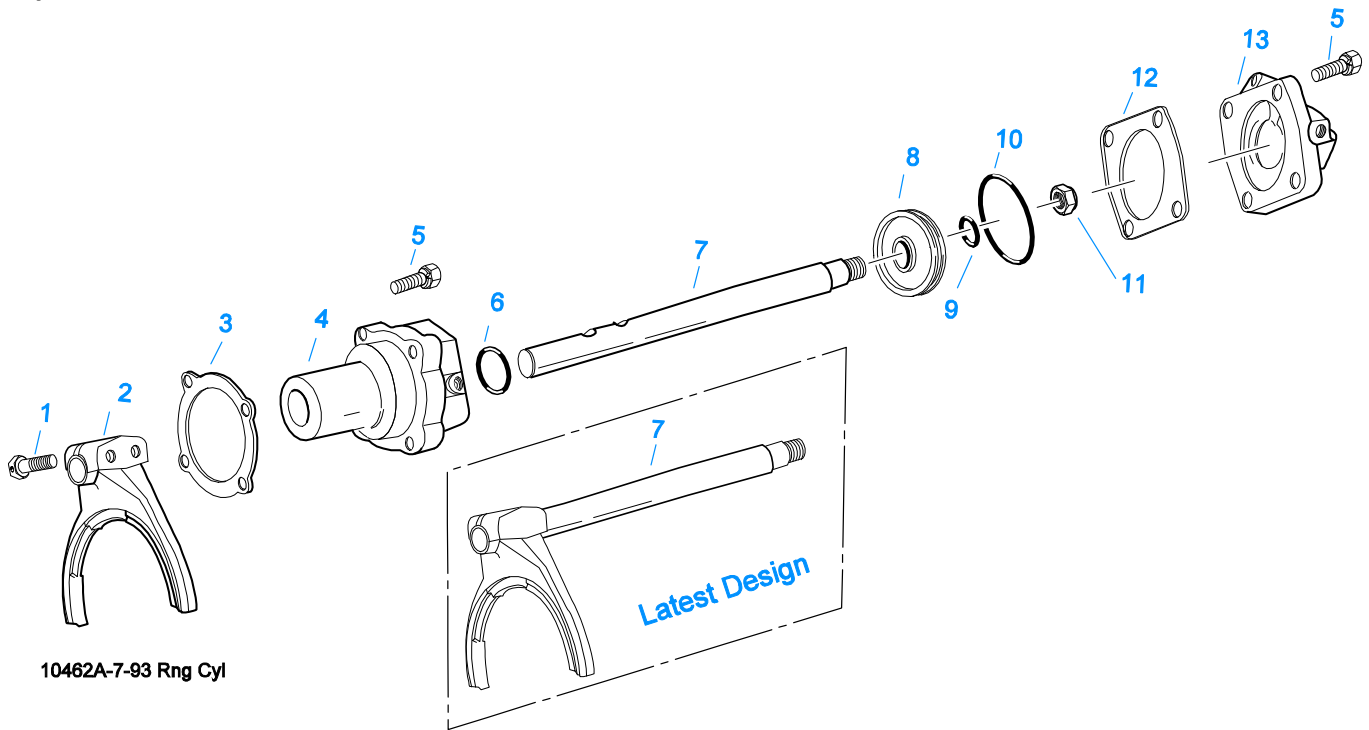
\*Adding Oil Filter and parts as shown is optional.

Return / Outlet Location

## OIL COOLER

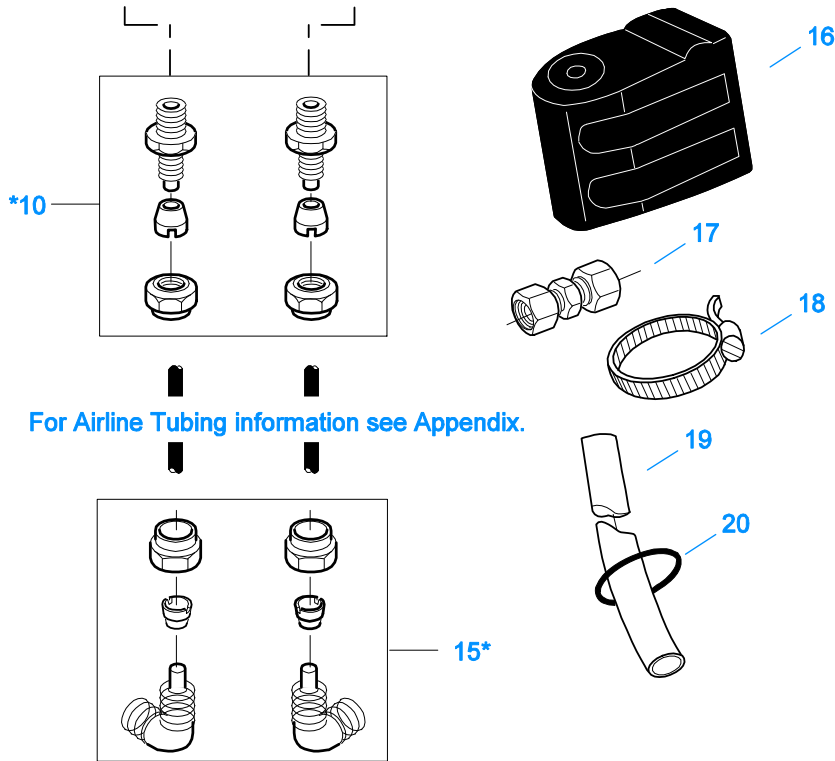
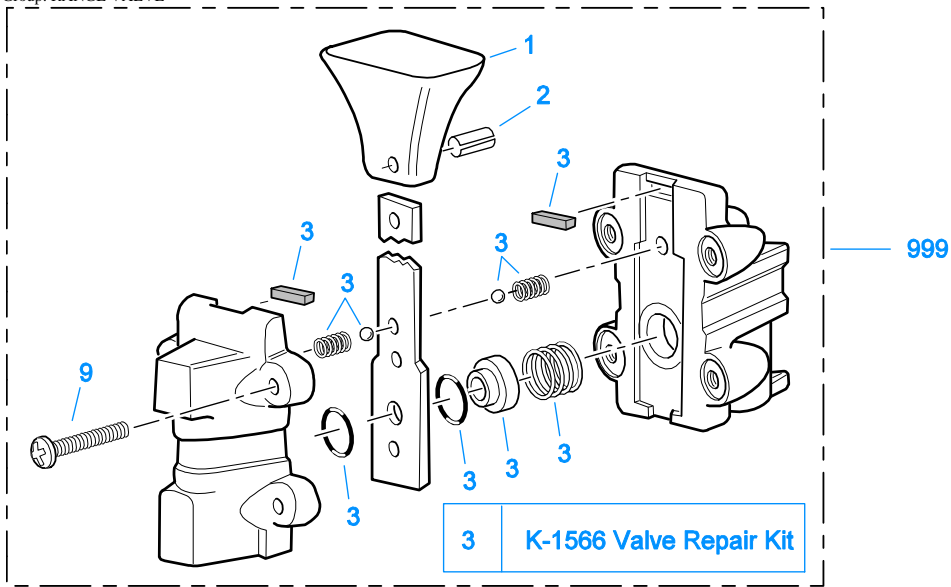
| Item | Current Part | Description       | Replaced Part | Qty. | Notes           | Kits/Assys Where Needed     |
|------|--------------|-------------------|---------------|------|-----------------|-----------------------------|
| 1    | 18025        | OIL COOLER        |               | 1    |                 | K-1700,K-1703,K-1956        |
| 2    | 19424        | HOSE              |               | 1    | 25 FEET         | K-1700,K-1703,K-1956        |
| 3    | X-8-535      | CAPSCREW          |               | 2    | 5/16"-16X2-1/2" |                             |
| 4    | X-3-506      | LOCKWASHER        |               | 2    | 5/16"           |                             |
| 5    | 18211        | BRACKET           |               | 4    |                 | K-1700,K-1703,K-1956        |
| 6    | 19419        | CONNECTOR         |               | 6    |                 | K-1700,K-1703,K-1956,S-1404 |
| 7    | 19415        | SWIVEL            |               | 4    |                 | K-1700,K-1703,K-1956        |
| 8    | X-10-501     | WASHER            |               | 2    | 5/16"           |                             |
| 9    | 18209        | PLUG-RUBBER MOUNT |               | 2    |                 | K-1700,K-1703,K-1956        |
| 10   | 17190        | STRAP             |               | 8    |                 | K-1700,K-1703,K-1956        |
| 11   | 19423        | CLAMP             |               | 5    |                 | K-1700,K-1703,K-1956        |
| 12   | 18210        | NUT               |               | 2    |                 | K-1700,K-1703,K-1956        |
| 13   | 19422        | ELBOW             |               | 4    |                 | K-1956                      |
| 14   | S-1404       | OIL FILTER        | 17238         | 1    |                 |                             |
| 15   | 17237        | FILTER ELEMENT    |               | 1    |                 | S-1404                      |





## RANGE CYLINDER

| Item | Current Part | Description        | Replaced Part    | Qty. | Notes          | Kits/Assys Where Needed                   |
|------|--------------|--------------------|------------------|------|----------------|---|
| 1    | X-7-809      | BOLT               | X 7 810 ,X 7 811 | 2    | 1/2"-20X1-3/4" |   |
| 2    | 22823        | SHIFT YOKE         | 16775            | 1    |                |   |
| 3    | 14347        | GASKET             |                  | 1    |                | K-1432,K-1603,K-2199                      |
| 4    | 16777        | AUXILIARY CYLINDER |                  | 1    |                | K-1432                                    |
| 5    | X-8L-604     | CAPSCREW           |                  | 8    | 3/8"-16X1-1/4" |   |
| 6    | 14765        | -O- RING           |                  | 1    |                | K-1432,K-1447,K-1450,K-2002               |
| 7    | 16776        | YOKE BAR           |                  | 1    |                |   |
| 7    | A-6159       | WELDED YOKE ASSY   | 4301651          | 1    |                |   |
| 8    | 14341        | PISTON             | 23353            | 1    |                | K-1432                                    |
| 9    | 14345        | -O- RING           |                  | 1    |                | K-1432,K-1447,K-1450,K-2002               |
| 10   | 14344        | -O- RING           |                  | 1    |                | K-1432,K-1447,K-1450,K-2002               |
| 11   | X-1-1010     | NUT                |                  | 1    | 5/8"-18        |   |
| 12   | 14349        | GASKET             |                  | 1    |                | K-1432,K-1447,K-1450,K-1603,K-2002,K-2199 |
| 13   | 19690        | CYLINDER COVER     |                  | 1    |                |   |



\*For Connector and Elbow Assy component information see Appendix

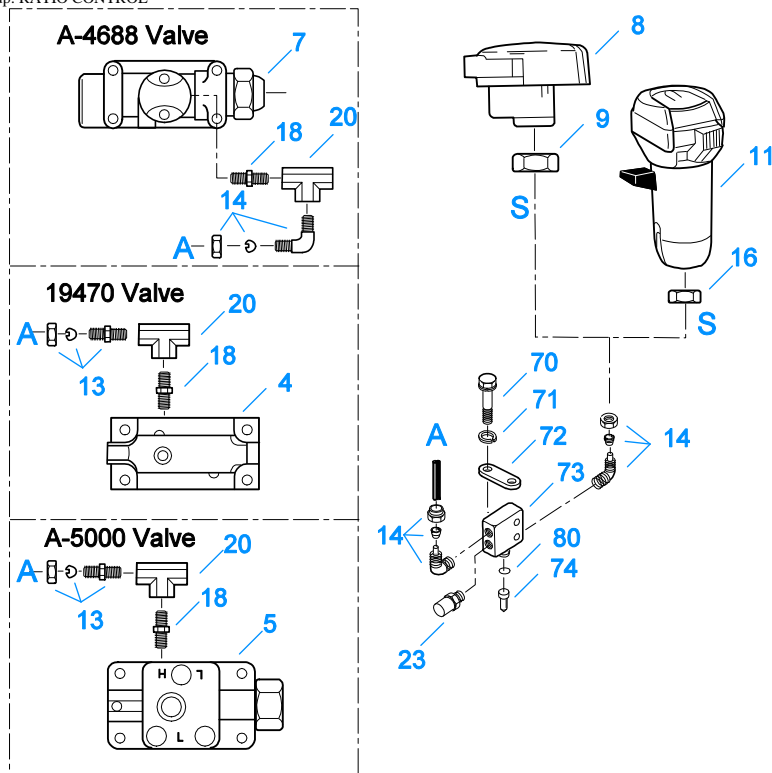
10099-5/93 AV

## RANGE VALVE

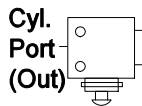
| Item | Current Part | Description      | Replaced Part | Qty. | Notes                | Kits/Assys Where Needed        |
|------|--------------|------------------|---------------|------|----------------------|--------------------------------|
| 1    | 15120        | KNOB             |               | 1    |                      | A-3546                         |
| 2    | 62512        | ROLL PIN         |               | 1    |                      | A-3546                         |
| 3    | K-1566       | VALVE REPAIR KIT |               | 1    | FOR A-3546 VALVE     |                                |
| 9    | X-13-214     | SCREW            |               | 4    | 8-32X3/4"            |                                |
| 10   | 84002        | CONNECTOR ASSY   | 82502         | 2    | 1/8" TUBE-1/8" NPTF  | K-1963, K-1972, K-2341, K-3692 |
| 10   | 84004        | CONNECTOR ASSY   | 82504         | 2    | 5/32" TUBE-1/8" NPTF |                                |

| Item | Current Part | Description            | Replaced Part       | Qty. | Notes                                | Kits/Assys Where Needed                   |
|------|--------------|------------------------|---------------------|------|--------------------------------------|---|
| 10   | 84006        | CONNECTOR ASSY         |                     | 2    | "PUSH-TO-CONNECT" 5/32"TUBE-1/8"NPTF | K-2013,K-2034                             |
| 15   | 85001        | ELBOW ASSY             | 84501               | 2    | 5/32"TUBE-1/8"NPTF                   |   |
| 15   | 85002        | ELBOW ASSY             | 84502               | 2    | 1/8"TUBE-1/8"NPTF                    | K-1554,K-1963,K-1972,K-2340,K-2341,K-3692 |
| 15   | 85003        | ELBOW ASSY             |                     | 2    | "PUSH-TO-CONNECT" 5/32"TUBE-1/8"NPTF | K-2013,K-2034,K-3331                      |
| 16   | 18905        | NO LONGER AVAILABLE    |                     | 1    |                                      |   |
| 17   | 84101        | UNION ASSY             |                     | 1    | 1/8" TUBING                          |   |
| 17   | 84102        | UNION ASSY             |                     | 1    | 5/32" TUBING                         |   |
| 17   | 84103        | UNION ASSY             |                     | 1    | "PUSH-TO-CONNECT" 5/32" TUBING       | K-2013,K-2034                             |
| 18   | 14441        | CLAMP                  | 14465               | 1    |                                      |   |
| 19   | 80120        | SHEATHING (50 FT ROLL) |                     | 1    | 5/32" - BLACK 50'                    |   |
| 20   | 13571        | -O- RING CLAMP         |                     | 2    |                                      |   |
| 999  | A-3546       | RANGE VALVE ASSY       | 18268 ,18269 ,18272 | 1    |                                      |   |

Group: RATIO CONTROL



10504-10-94 RC

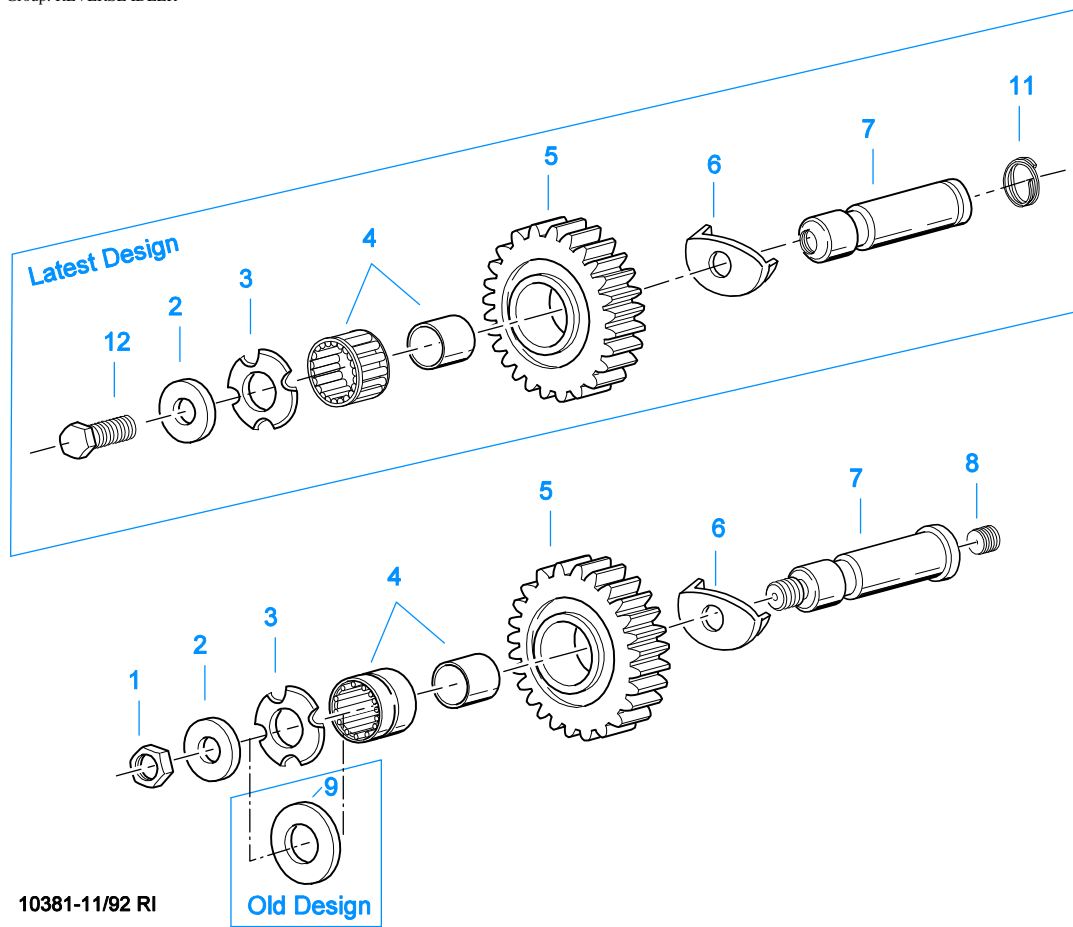


**Install 7935 Breather In Unused Port  
Use For Lockout Of O.D. Except In 8th  
Use For Lockout Of O.D. In 8th Only**

## RATIO CONTROL

| Item | Current Part | Description           | Replaced Part          | Qty. | Notes                                  | Kits/Assys Where Needed                   |
|------|--------------|-----------------------|------------------------|------|--|---|
| 4    | K-2424       | VALVE REPLACEMENT KIT | 19470                  | 1    |  |   |
| 5    | A-5000       | SLAVE VALVE ASSY      | 20850                  | 1    |  | K-1963,K-2424,K-3692                      |
| 7    | A-4688       | SLAVE VALVE ASSY      | 15125 ,19464 ,A - 3991 | 1    |  |   |
| 8    | A-4491       | SELECTOR VALVE        | A - 4384               | 1    | RTO                                    |   |
| 8    | A-4493       | SELECTOR VALVE        | A - 4376               | 1    | RT                                     |   |
| 8    | A-4494       | SELECTOR VALVE        |                        | 1    | RTOO                                   |   |
| 9    | X-9-1001     | NUT                   |                        | 1    | 5/8"-11                                |   |
| 11   | A-6913       | ROADRANGER VALVE ASSY | A - 4900               | 1    | STANDARD-W/LOGO                        | K-2013                                    |
| 11   | A-7313       | ROADRANGER VALVE ASSY | A - 5313               | 1    | (LEFT OF DRIVER)-W/LOGO                |   |
| 11   | S-2546       | ROADRANGER VALVE ASSY | A - 5041               | 1    | RTO - W/SHIFT DIAGRAM MEDALLION        |   |
| 11   | S-2628       | ROADRANGER VALVE ASSY | A - 5038               | 1    | RT - W/SHIFT DIAGRAM MEDALLION         | K-2034                                    |
| 13   | 84002        | CONNECTOR ASSY        | 82502                  | 1    | 1/8" TUBE-1/8" NPTF                    | K-1963,K-1972,K-2341,K-3692               |
| 13   | 84004        | CONNECTOR ASSY        | 82504                  | 1    | 5/32" TUBE-1/8" NPTF                   |   |
| 13   | 84006        | CONNECTOR ASSY        |                        | 1    | "PUSH-TO-CONNECT" 5/32" TUBE-1/8" NPTF | K-2013,K-2034                             |
| 14   | 85001        | ELBOW ASSY            | 84501                  | 2    | 5/32" TUBE-1/8" NPTF                   |   |
| 14   | 85002        | ELBOW ASSY            | 84502                  | 2    | 1/8" TUBE-1/8" NPTF                    | K-1554,K-1963,K-1972,K-2340,K-2341,K-3692 |
| 14   | 85003        | ELBOW ASSY            |                        | 2    | "PUSH-TO-CONNECT" 5/32" TUBE-1/8" NPTF | K-2013,K-2034,K-3331                      |
| 16   | X-9-802      | NUT                   |                        | 1    | 1/2"-13                                |   |
| 18   | 12769        | NIPPLE                |                        | 1    | 1/8"                                   | K-1963                                    |
| 20   | 12881        | TEE                   |                        | 1    | 1/8"                                   | K-1963                                    |
| 23   | 7935         | BREATHER              |                        | 1    |  |   |
| 70   | X-8-434      | CAPSCREW              |                        | 2    | 1/4"-20X2"                             |   |

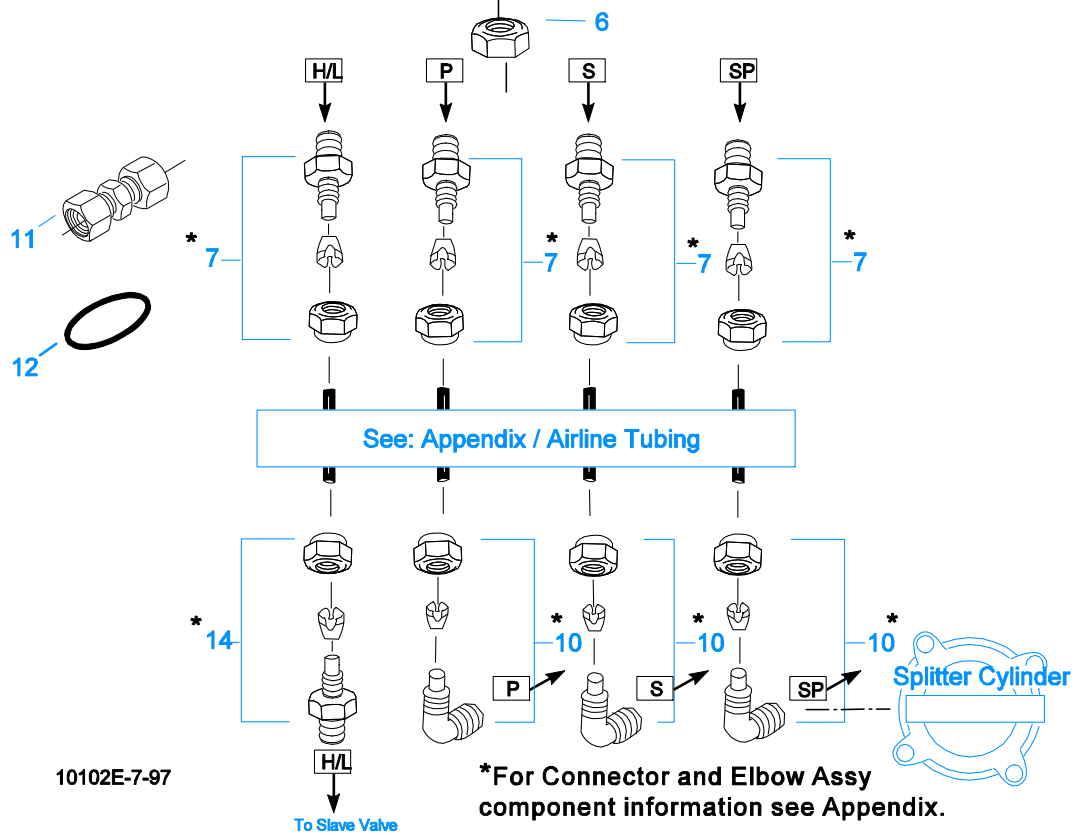
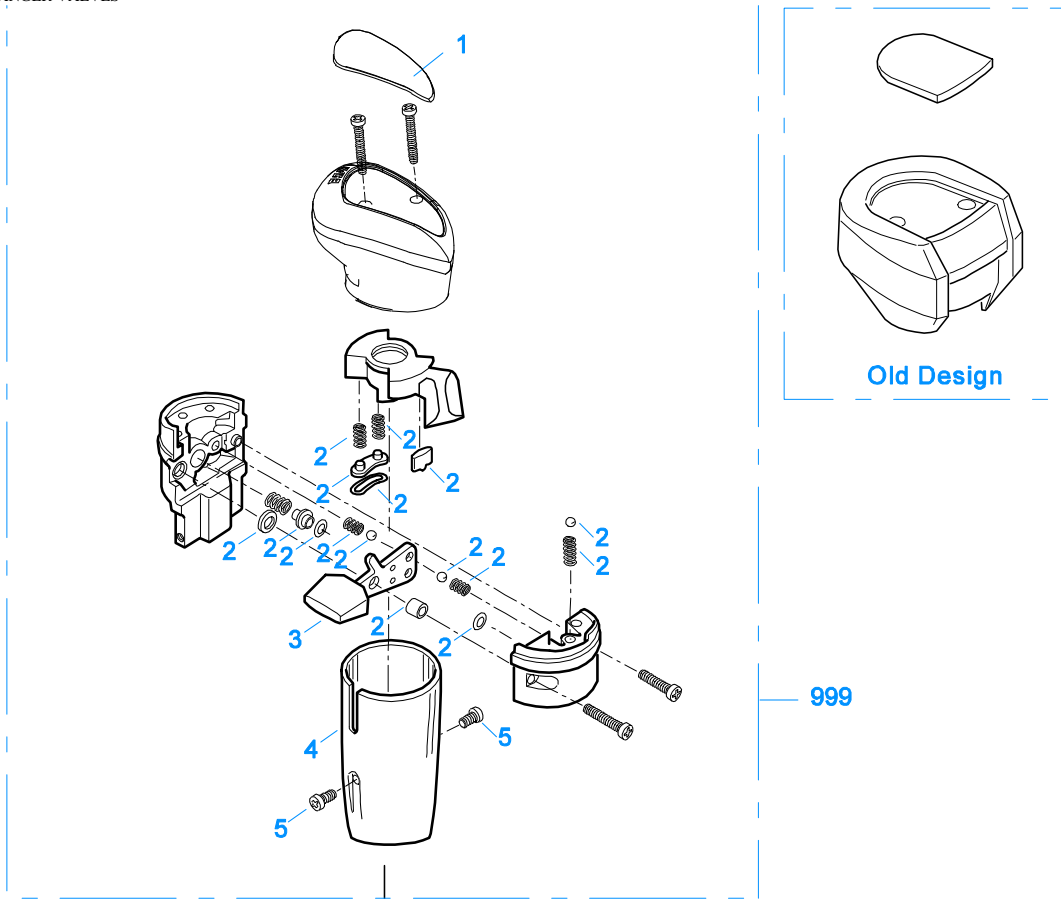
| Item | Current Part | Description         | Replaced Part | Qty. | Notes           | Kits/Assys Where Needed |
|------|--------------|---------------------|---------------|------|-----------------|-------------------------|
| 71   | X-3-400      | LOCKWASHER          |               | 2    | 1/4"            |                         |
| 72   | 20199        | PLATE               | 18724         | 1    |                 | S-1440,S-1531           |
| 73   | 18734        | VALVE               |               | 1    |                 |                         |
| 74   | 15899        | PIN                 |               | 1    | RT-RTF-RTO-RTOF | S-1440,S-1531           |
| 74   | 20119        | PIN                 |               | 1    | RTX-RTXF        |                         |
| 80   | 18656        | NO LONGER AVAILABLE |               | 1    |                 |                         |



10381-11/92 RI

## REVERSE IDLER

| Item | Current Part | Description          | Replaced Part | Qty. | Notes         | Kits/Assys Where Needed            |
|------|--------------|----------------------|---------------|------|---------------|------------------------------------|
| 1    | X-1-1008     | NUT                  |               | 2    | 5/8"-18       |                                    |
| 2    | 14283        | WASHER               |               | 2    |               | K-3217                             |
| 3    | 4302982      | WASHER               | 14282         | 2    |               | K-3217,S-1318,S-1519,S-1820,S-1888 |
| 4    | 14287        | BEARING              | 4305020       | 2    |               | K-1871,K-1972,K-2280,K-2341,K-3692 |
| 5    | 16757        | REVERSE IDLER GEAR   | 22409         | 2    |               |                                    |
| 6    | 16403        | WASHER               |               | 2    |               | K-3217                             |
| 7    | K-3217       | IDLER SHAFT REPL KIT | 4302981       | 2    |               |                                    |
| 8    | 5202         | PLUG                 |               | 2    |               |                                    |
| 9    | 14282        | NO LONGER AVAILABLE  |               | 2    |               |                                    |
| 11   | 4303336      | RETAINING RING       |               | 2    |               | K-3217,K-3692                      |
| 12   | X-7-1008     | CAPSCREW             |               | 2    | 5/8"-18X1-1/4 |                                    |

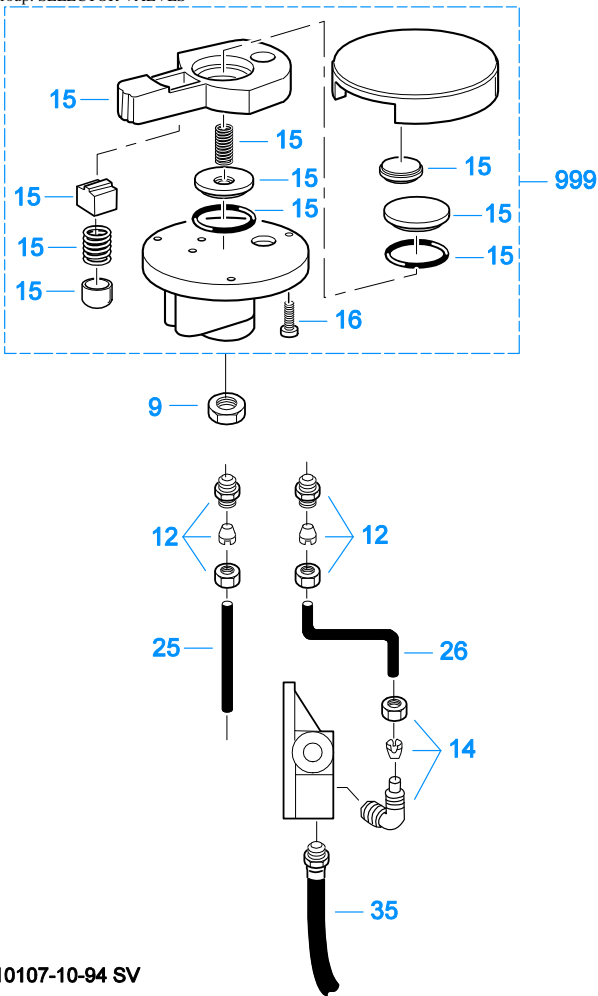


## ROADRANGER VALVES

| Item | Current Part | Description             | Replaced Part    | Qty. | Notes                                     | Kits/Assys Where Needed                   |
|------|--------------|-------------------------|------------------|------|---|---|
| 1    | 20107        | MEDALLION, LOGO         |                  | 1    | (OLD DESIGN) FULLER LOGO ONLY             |   |
| 1    | 21691        | LOGO MEDALLION          | 4302349, 4300370 | 1    | (OLD DESGIN) FULLER LOGO (LEFT OF DRIVER) |   |
| 1    | 5586100      | MEDALLION, LOGO         |                  | 1    | (LATEST DESIGN) FULLER LOGO ONLY          | A-6913,A-7313                             |
| 1    | 5586104      | SHIFT DIAGRAM MEDALLION |                  | 1    | RT  | S-2628                                    |
| 1    | 5586105      | SHIFT DIAGRAM MEDALLION |                  | 1    | RTO                                       | S-2546                                    |
| 2    | K-1826       | MASTER VALVE REPAIR KIT |                  | 1    | FOR A-4900 VALVE                          |   |
| 2    | K-2053       | MASTER VALVE REPAIR KIT |                  | 1    | FOR A-5313 VALVE                          |   |
| 2    | K-3193       | MASTER VALVE REPAIR KIT |                  | 1    | FOR A-6913 VALVE                          |   |
| 2    | K-3195       | MASTER VALVE REPAIR KIT |                  | 1    | FOR A-7313 VALVE                          |   |
| 3    | 20495        | LEVER                   |                  | 1    |   | A-6913,A-7313                             |
| 4    | 20112        | COVER                   |                  | 1    |   | A-6913,A-7313                             |
| 5    | X-8-213      | SCREW                   | X 8 202          | 2    | 8-32X3/8"                                 |   |
| 6    | X-9-802      | NUT                     |                  | 1    | 1/2"-13                                   |   |
| 7    | 84001        | CONNECTOR ASSY          | 82501            | 4    | 1/8" TUBE-1/16" NPTF                      |   |
| 7    | 84003        | CONNECTOR ASSY          | 82503            | 4    | 5/32" TUBE-1/16" NPTF                     |   |
| 7    | 84005        | CONNECTOR ASSY          |                  | 4    | "PUSH-TO-CONNECT" 5/32" TUBE-1/16" NPTF   | K-2013,K-2034                             |
| 10   | 85001        | ELBOW ASSY              | 84501            | 3    | 5/32" TUBE-1/8" NPTF                      |   |
| 10   | 85002        | ELBOW ASSY              | 84502            | 3    | 1/8" TUBE-1/8" NPTF                       | K-1554,K-1963,K-1972,K-2340,K-2341,K-3692 |
| 10   | 85003        | ELBOW ASSY              |                  | 3    | "PUSH-TO-CONNECT" 5/32" TUBE-1/8" NPTF    | K-2013,K-2034,K-3331                      |
| 11   | 84101        | UNION ASSY              |                  | 1    | 1/8" TUBING                               |   |
| 11   | 84102        | UNION ASSY              |                  | 1    | 5/32" TUBING                              |   |
| 11   | 84103        | UNION ASSY              |                  | 1    | "PUSH-TO-CONNECT" 5/32" TUBING            | K-2013,K-2034                             |
| 12   | 13571        | -O- RING CLAMP          |                  | 1    |   |   |
| 14   | 84002        | CONNECTOR ASSY          | 82502            | 1    | 1/8" TUBE-1/8" NPTF                       | K-1963,K-1972,K-2341,K-3692               |
| 14   | 84004        | CONNECTOR ASSY          | 82504            | 1    | 5/32" TUBE-1/8" NPTF                      |   |
| 14   | 84006        | CONNECTOR ASSY          |                  | 1    | "PUSH-TO-CONNECT" 5/32" TUBE-1/8" NPTF    | K-2013,K-2034                             |
| 999  | A-6913       | ROADRANGER VALVE ASSY   | A - 4900         | 1    | STANDARD-W/LOGO                           | K-2013                                    |
| 999  | A-7313       | ROADRANGER VALVE ASSY   | A - 5313         | 1    | (LEFT OF DRIVER)-W/LOGO                   |   |
| 999  | S-2546       | ROADRANGER VALVE ASSY   | A - 5041         | 1    | RTO - W/SHIFT DIAGRAM MEDALLION           |   |
| 999  | S-2628       | ROADRANGER VALVE ASSY   | A - 5038         | 1    | RT - W/SHIFT DIAGRAM MEDALLION            | K-2034                                    |



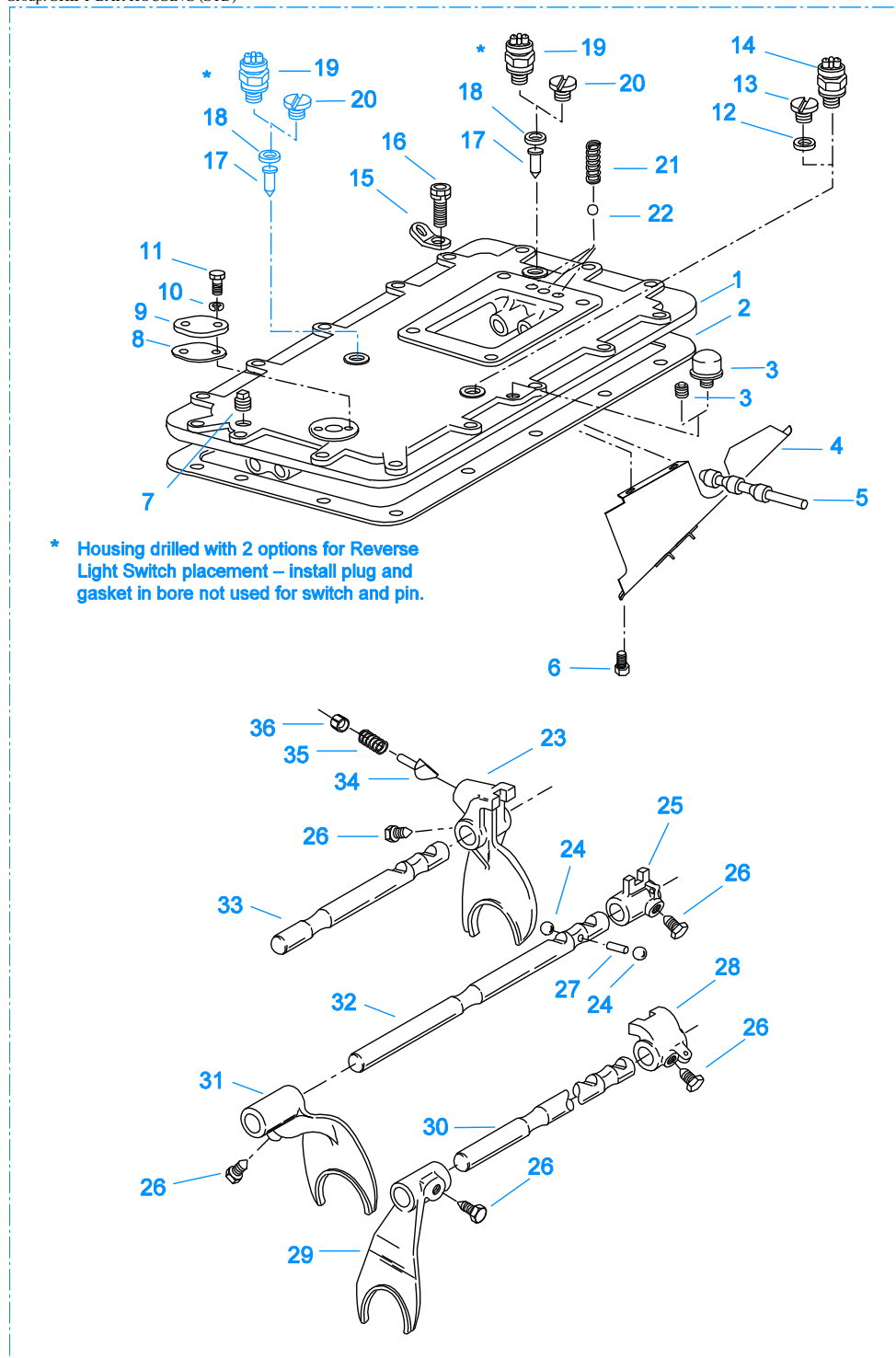
Group: SELECTOR VALVES



10107-10-94 SV

## SELECTOR VALVES

| Item | Current Part | Description      | Replaced Part | Qty. | Notes                | Kits/Assys Where Needed                        |
|------|--------------|------------------|---------------|------|----------------------|--|
| 9    | X-9-1001     | NUT              |               | 1    | 5/8"-11              |  |
| 12   | 84001        | CONNECTOR ASSY   | 82501         | 2    | 1/8" TUBE-1/16" NPTF |  |
| 14   | 85002        | ELBOW ASSY       | 84502         | 1    | 1/8" TUBE-1/8" NPTF  | K-1554, K-1963, K-1972, K-2340, K-2341, K-3692 |
| 15   | K-1550       | REPAIR KIT-VALVE |               | 1    |                      |  |
| 16   | X-13-214     | SCREW            |               | 3    | 8-32X3/4"            |  |
| 25   | 68526        | NYLON TUBE       |               | 1    | 1/8" - WHITE 50'     |  |
| 26   | 82013        | NYLON TUBE       |               | 1    | 1/8" - BLACK 50'     |  |
| 35   | 55527        | HOSE ASSY        |               | 1    | 15"                  | K-2034, K-3692                                 |
| 999  | A-4491       | SELECTOR VALVE   | A - 4384      | 1    | RTO                  |  |
| 999  | A-4493       | SELECTOR VALVE   | A - 4376      | 1    | RT                   |  |
| 999  | A-4494       | SELECTOR VALVE   |               | 1    | RTOO                 |  |



999

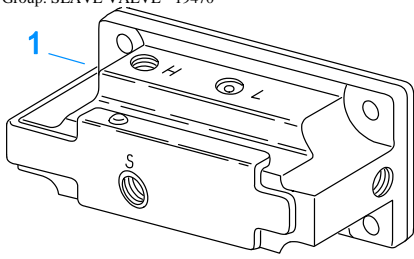
10220-1/92 Standard

### SHIFT BAR HOUSING (STD)

| Item | Current Part | Description         | Replaced Part  | Qty. | Notes        | Kits/Assys Where Needed |
|------|--------------|---------------------|--|------|--------------|-------------------------|
| 1    | S-1440       | SHIFT BAR HSG (STD) | 15890 15928 16913<br>.17115 ,17180 ,17182<br>.17428 18571 ,18640<br>.18644 ,18840 ,18847<br>19448 ,19449 ,19453<br>.19454 ,19455 19605 | 1    | HOUSING ONLY |                         |

| Item | Current Part | Description              | Replaced Part  | Qty. | Notes  | Kits/Assys Where Needed            |
|------|--------------|--------------------------|--|------|--|------------------------------------|
|      |              |                          | ,20074 ,20210 ,20211<br>,21133 22955 ,S - 1360<br>,S - 1364 ,S - 1376 ,S -<br>1377 |      |  |                                    |
| 2    | 4302676      | GASKET                   | 14918  | 1    |  | K-1700,K-1703,K-2199,S-1531        |
| 3    | 4304602      | BREATHER                 | 23605  | 1    | 1/4" NPT   | K-1700,K-1703,K-3692               |
| 3    | X-12-404     | PIPE PLUG                |  | 1    | 1/4" NPT   |                                    |
| 4    | 20070        | OIL TROUGH               |  | 1    |  | S-1531                             |
| 5    | 20332        | AIR VALVE SHAFT          | 17177  | 1    |  | S-1531                             |
| 6    | X-8-423      | CAPSCREW                 |  | 2    | 1/4"-20X1/2"   |                                    |
| 7    | X-12-603     | PIPE PLUG                | X12 602  | 1    | 3/8" NPT   |                                    |
| 8    | 20209        | GASKET                   |  | 1    |  | S-1440,S-1531                      |
| 9    | 20199        | PLATE                    | 18724  | 1    |  | S-1440,S-1531                      |
| 10   | X-3-400      | LOCKWASHER               |  | 2    | 1/4"   |                                    |
| 11   | X-8-406      | CAPSCREW                 |  | 2    | 1/4"-20X3/4"   |                                    |
| 12   | 17179        | GASKET                   |  | 1    |  | S-1440,S-1531                      |
| 13   | 4303655      | PLUG                     | 17178  | 1    |  | S-1440,S-1531                      |
| 14   | 22941        | NEUTRAL LIGHT SWITCH     | 12639  | 1    | SWITCH NORMALLY CLOSED   |                                    |
| 15   | 20815        | LIFTING EYE              | 17105  | 2    |  | S-2262                             |
| 16   | X-8L-602     | CAPSCREW                 |  | 2    | 3/8"-16X1-1/2" USE W/20815 LIFTING EYES                          |                                    |
| 16   | X-8L-604     | CAPSCREW                 |  | 16   | 3/8"-16X1-1/4"- OR USE 14 PCS OF X-8L-604 WITH 2 PCS OF X-8L-602 |                                    |
| 17   | 15899        | PIN                      |  | 1    |  | S-1440,S-1531                      |
| 18   | 15900        | GASKET                   |  | 1    |  | S-1440,S-1531                      |
| 19   | 22940        | REVERSE LIGHT SWITCH     | 16830  | 1    | SWITCH NORMALLY OPEN   |                                    |
| 20   | 4303656      | PLUG                     | 15917  | 1    |  | S-1440,S-1531                      |
| 21   | 15918        | SPRING                   |  | 3    |  | K-1793,K-1972,K-2341,K-3692,S-1531 |
| 22   | X-14-800     | STEEL BALL               |  | 3    | 1/2"   |                                    |
| 23   | 16131        | SHIFT YOKE               |  | 1    | REVERSE/LOW  | S-1219,S-1531                      |
| 24   | X-14-1200    | STEEL BALL               |  | 2    | 3/4"   |                                    |
| 25   | 14658        | SHIFT BLOCK              |  | 1    | 1ST/2ND  | S-1531                             |
| 26   | 3220         | LOCKSCREW                |  | 5    |  | S-1531                             |
| 27   | 1634         | INTERLOCK PIN            |  | 1    |  | K-1793,S-1531                      |
| 28   | 14659        | SHIFT BLOCK              |  | 1    | 3RD/DIRECT   | S-1531                             |
| 29   | 16136        | SHIFT YOKE               |  | 1    | 3RD/DIRECT   | K-3692,S-1531                      |
| 30   | 16134        | YOKE BAR                 |  | 1    | 3RD/DIRECT   | S-1531                             |
| 30   | 18643        | YOKE BAR                 |  | 1    | RTO-3RD/DIRECT - W/RATIO CONTROL                                 |                                    |
| 30   | 19734        | NO LONGER AVAILABLE      |  | 1    | RTOO-DIRECT - W/RATIO CONTROL                                    |                                    |
| 31   | 16135        | SHIFT YOKE               |  | 1    | 1ST/2ND  | S-1531                             |
| 32   | 16133        | YOKE BAR                 |  | 1    | 1ST/2ND  | S-1531                             |
| 33   | 16132        | YOKE BAR                 |  | 1    | REVERSE/LO   | S-1531                             |
| 34   | 10019        | PLUNGER                  |  | 1    |  | S-1219,S-1531                      |
| 35   | 6392         | SPRING                   |  | 1    |  | S-1219,S-1531                      |
| 36   | 8968         | PLUG                     |  | 1    |  | S-1219,S-1531                      |
| 999  | S-1531       | SHIFT BAR HSG ASSY (STD) | 20211 ,22955   | 1    | COMPLETE   |                                    |

Group: SLAVE VALVE - 19470

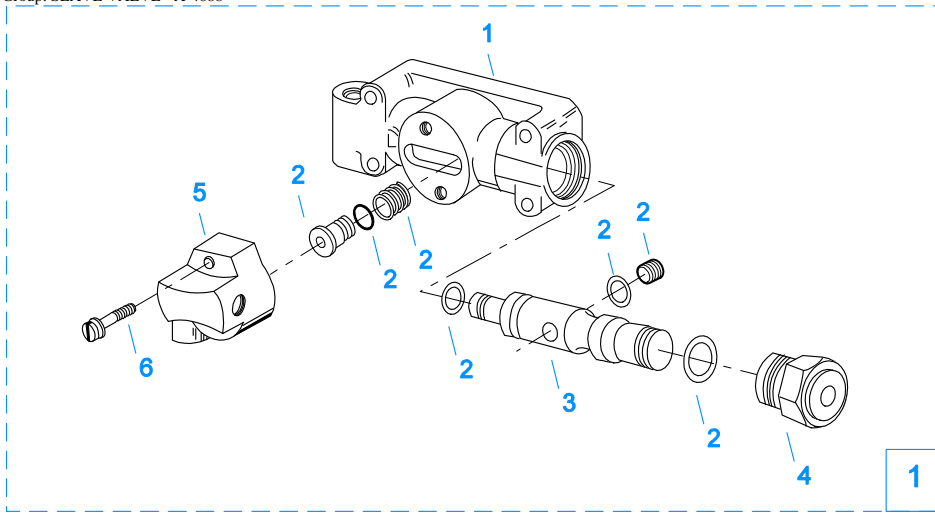


10121-1/92 19470 SV

## SLAVE VALVE - 19470

| Item | Current Part | Description           | Replaced Part | Qty. | Notes | Kits/Assys Where Needed |
|------|--------------|-----------------------|---------------|------|-------|-------------------------|
| 1    | K-2424       | VALVE REPLACEMENT KIT | 19470         | 1    |       |                         |

Group: SLAVE VALVE - A-4688



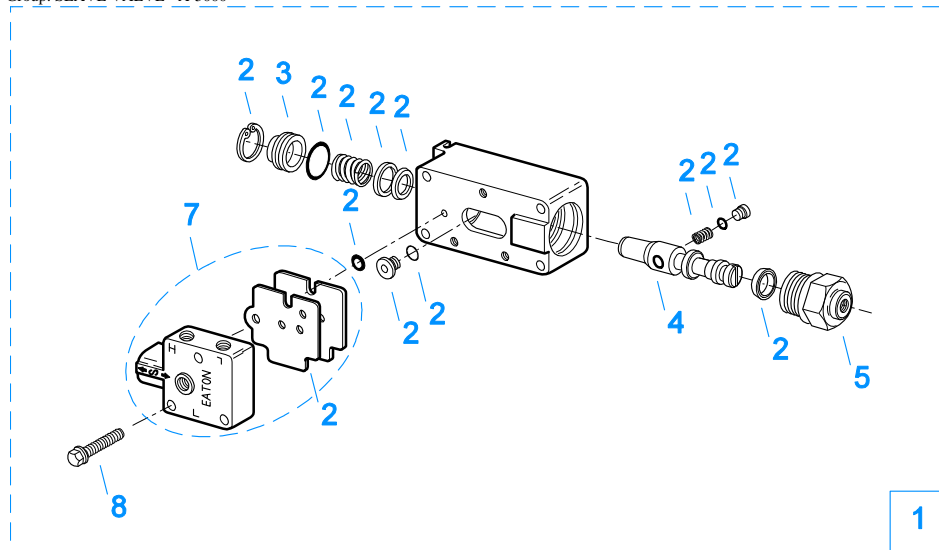
10123-5/93 A-4688

2 Repair Kit

### SLAVE VALVE - A-4688

| Item | Current Part | Description            | Replaced Part          | Qty. | Notes            | Kits/Assys Where Needed |
|------|--------------|------------------------|------------------------|------|------------------|-------------------------|
| 1    | A-4688       | SLAVE VALVE ASSY       | 15125 ,19464 ,A - 3991 | 1    |                  |                         |
| 2    | K-1699       | REPAIR KIT-SLAVE VALVE |                        | 1    | FOR A-4688 VALVE |                         |
| 3    | 19463        | PISTON                 | 15126                  | 1    |                  | A-4688                  |
| 4    | 20849        | CAP                    | 15131                  | 1    |                  | A-4688,A-5000           |
| 5    | K-1613       | CAP REPLACEMENT KIT    | 16429 ,18707           | 1    | FOR A-4688 VALVE |                         |
| 6    | X-8S-401     | CAPSCREW               |                        | 2    | 1/4"-20X1-1/8"   |                         |

Group: SLAVE VALVE - A-5000

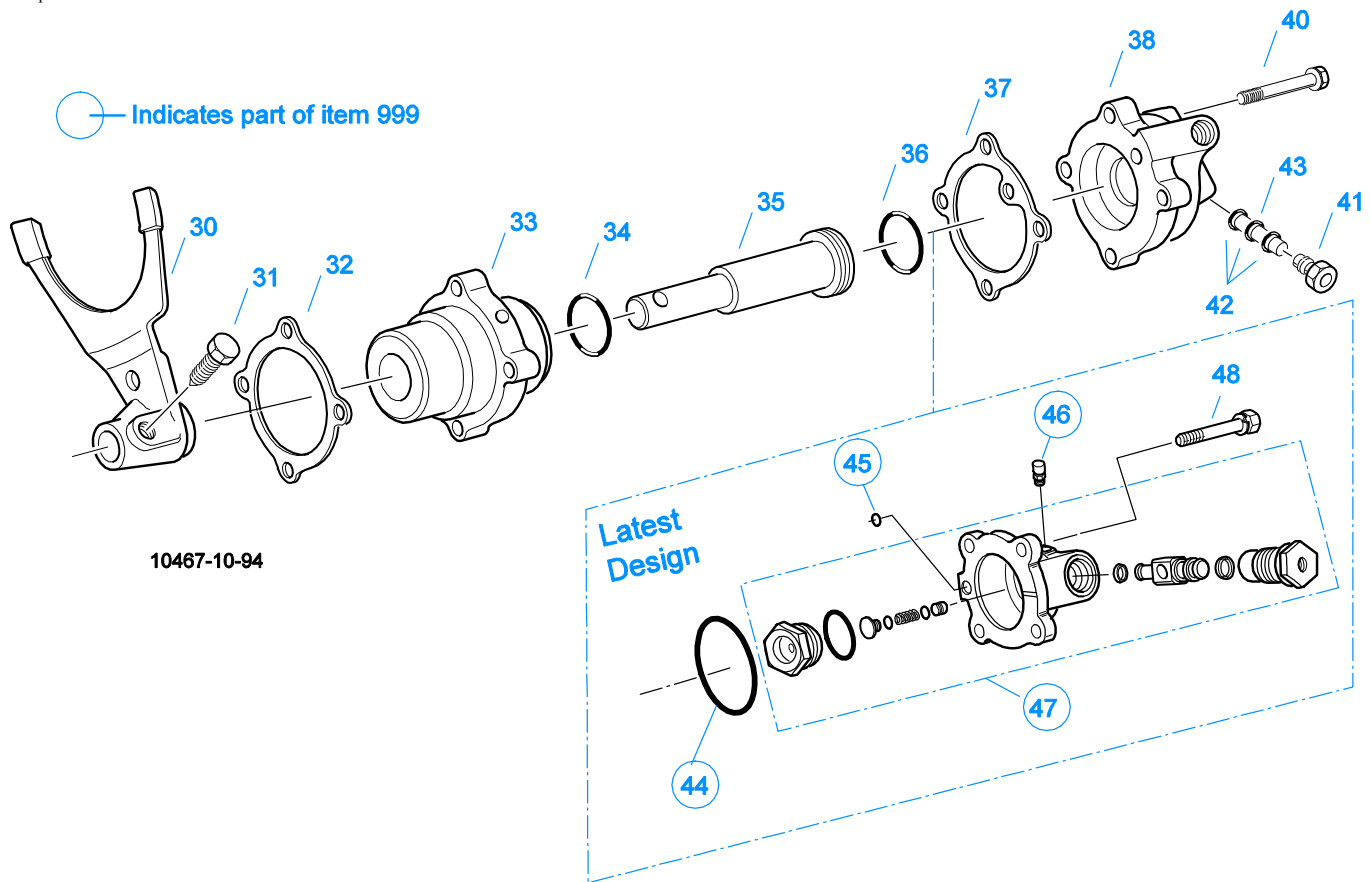


10120-10-97 A-5000 SV

2 Repair Kit

### SLAVE VALVE - A-5000

| Item | Current Part | Description            | Replaced Part | Qty. | Notes            | Kits/Assys Where Needed |
|------|--------------|------------------------|---------------|------|------------------|-------------------------|
| 1    | A-5000       | SLAVE VALVE ASSY       | 20850         | 1    |                  | K-1963,K-2424,K-3692    |
| 2    | K-1935       | REPAIR KIT-SLAVE VALVE |               | 1    | FOR A-5000 VALVE |                         |
| 3    | 20855        | PLUG                   |               | 1    |                  | A-5000                  |
| 4    | 20854        | PISTON                 |               | 1    |                  | A-5000                  |
| 5    | 20849        | CAP                    | 15131         | 1    |                  | A-4688,A-5000           |
| 7    | S-1516       | CAP ASSY               | 20851 ,20853  | 1    |                  |                         |
| 8    | X-8C-413     | CAPSCREW               |               | 3    | 1/4"-20X1-1/2"   |                         |



10467-10-94

## SPLITTER CYLINDER

| Item | Current Part | Description           | Replaced Part                         | Qty. | Notes                      | Kits/Assys Where Needed   |
|------|--------------|-----------------------|---------------------------------------|------|----------------------------|---|
| 30   | 19128        | SHIFT YOKE            |                                       | 1    |                            | K-1962  |
| 31   | 3220         | LOCKSCREW             |                                       | 1    |                            | S-1531  |
| 32   | 14632        | GASKET                |                                       | 1    |                            | K-1010,K-1603,K-1957,K-2078,K-2199                                    |
| 33   | 17070        | AUXILIARY CYLINDER    |                                       | 1    | USE W/14621, 14644 & 16961 | K-1010  |
| 33   | 21210        | AUXILIARY CYLINDER    |                                       | 1    | USE W/21208, 21209 & 21211 | K-1957  |
| 34   | 14644        | -O- RING              |                                       | 1    | USE W/14621, 16961 & 17070 | K-1010,K-1447,K-1451  |
| 34   | 21208        | -O- RING              |                                       | 1    | USE W/21209, 21210 & 21211 | K-1554,K-1871,K-1957,K-1972,K-2002,K-2078,K-2280,K-2340,K-2341,K-3692 |
| 35   | 16961        | YOKE BAR & PISTON     |                                       | 1    | USE W/17070 CYLINDER       | K-1010  |
| 35   | 21211        | YOKE BAR & PISTON     |                                       | 1    | USE W/21210 CYLINDER       | K-1957  |
| 36   | 14621        | -O- RING              |                                       | 1    | USE W/14644, 16961 & 17070 | K-1010,K-1447,K-1451  |
| 36   | 21209        | -O- RING              |                                       | 1    | USE W/21208, 21210 & 21211 | K-1554,K-1871,K-1957,K-1972,K-2002,K-2078,K-2280,K-2340,K-2341,K-3692 |
| 37   | 17073        | GASKET                |                                       | 1    |                            | K-1603,K-1957,K-2002,K-2078,K-2199                                    |
| 38   | K-3331       | SPLITTER VLV REPL KIT | 4300927 4304031<br>,4304032 ,A - 6862 | 1    |                            | K-1010  |
| 40   | X-8L-540     | CAPSCREW              |                                       | 4    | 5/16"-18X1-7/8"            |   |
| 41   | 15719        | PLUG                  |                                       | 1    |                            |   |
| 42   | 13653        | -O- RING              |                                       | 3    |                            | K-1457,K-3331   |
| 43   | 19974        | INSERT VALVE          | 15512 4303616                         | 1    |                            | K-1554,K-1871,K-1972,K-2280,K-2340,K-2341,K-3692                      |
| 44   | 5568534      | -O- RING              |                                       | 1    |                            | K-2078,K-3331   |
| 45   | 13653        | -O- RING              |                                       | 1    |                            | K-1457,K-3331   |

| Item | Current Part | Description           | Replaced Part                         | Qty. | Notes           | Kits/Assys Where Needed |
|------|--------------|-----------------------|---------------------------------------|------|-----------------|-------------------------|
| 46   | X2014210     | BREATHER              | 7935                                  | 1    |                 |                         |
| 47   | K-3331       | SPLITTER VLV REPL KIT | 4300927 4304031<br>,4304032 ,A - 6862 | 1    |                 | K-1010                  |
| 48   | X-8L-540     | CAPSCREW              |                                       | 4    | 5/16"-18X1-7/8" |                         |
| 999  | K-3331       | SPLITTER VLV REPL KIT |                                       | 1    |                 | K-1010                  |



