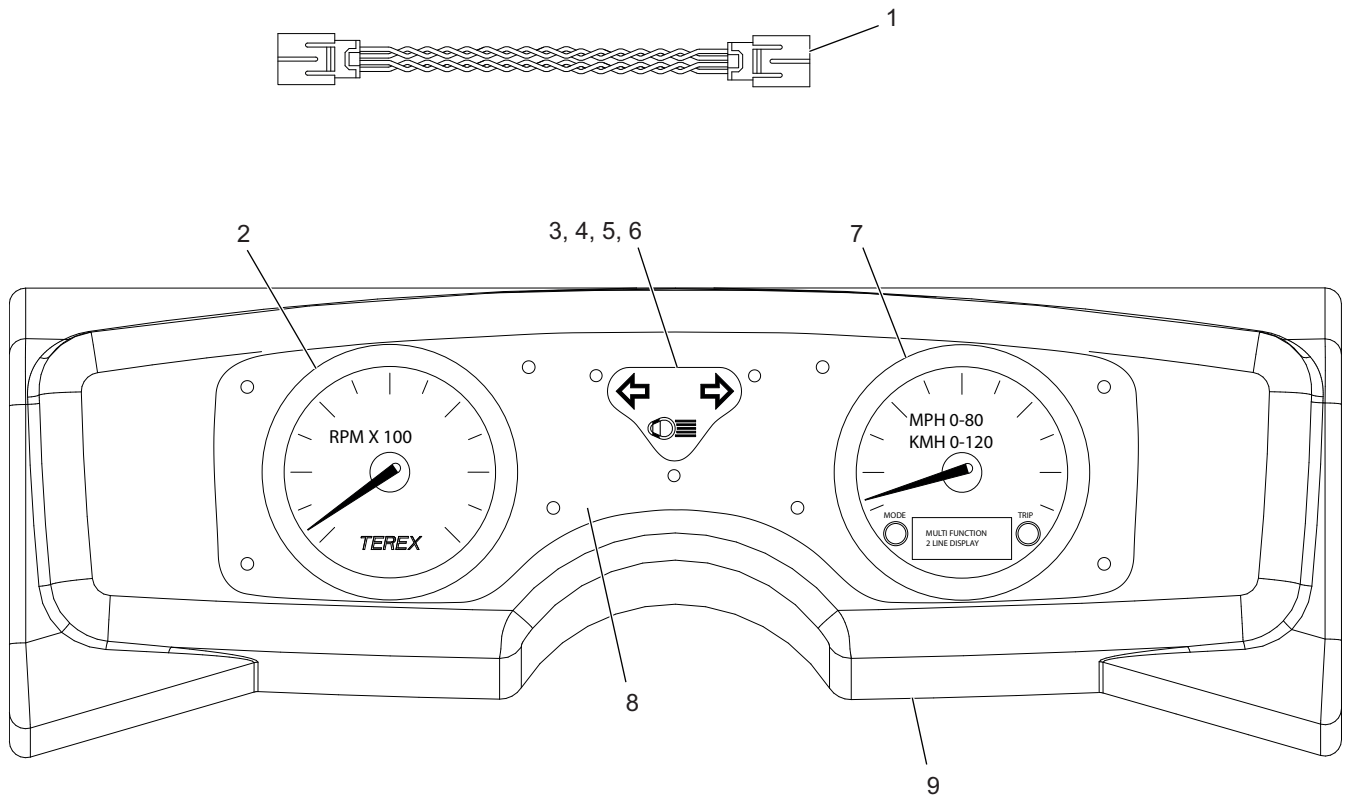


Click number attached to the part or the part numbers on the next pages to link to other parts, some parts may have no link



REF	PART NO.	DESCRIPTION	REF	PART NO.	DESCRIPTION
1	31525	Harness, LIN, 12 0"	6	28120	Bulb, Light, LED, Blue
2	31533	Gauge, Tachometer, ACTIA	7	32086	Gauge, Speedometer, MY1 0
3	28115	Panel, Legend, Turn Signal/High Beam	8	28113	Dash, Shroud, Center
4	28118	Sockets, Light, Double Wire	9	31538	Panel, Dash, Center, Workspace
5	28119	Bulb, Light, LED, Green			

WHEN ORDERING PARTS, SPECIFY MODEL NUMBER, SERIAL NUMBER AND DESCRIPTION OF PARTS REQUIRED

	DASH, GAUGE PANEL, WRKSPC	DATE: Released 01-2016	GROUP 6
		MODEL: FD	
		PAGE: 6.15	