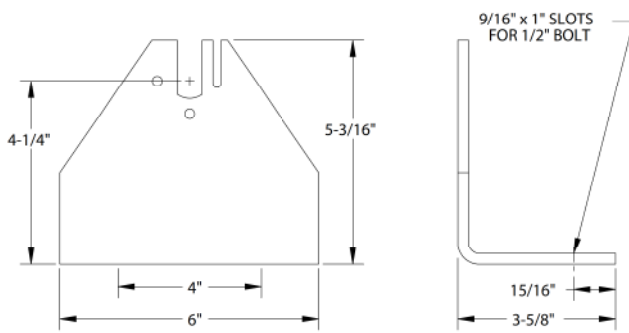


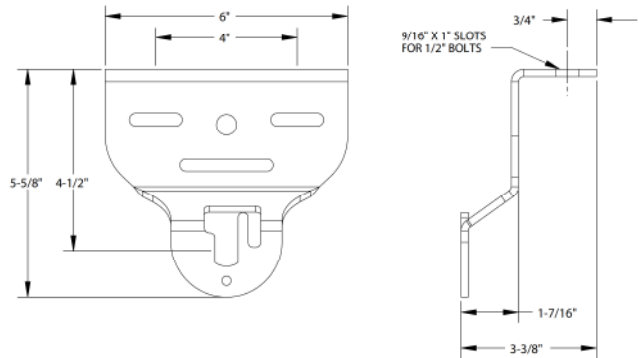
RETURN & FLAT BRACKETS STYLES

CEMA B, C, & D RETURN BRACKETS

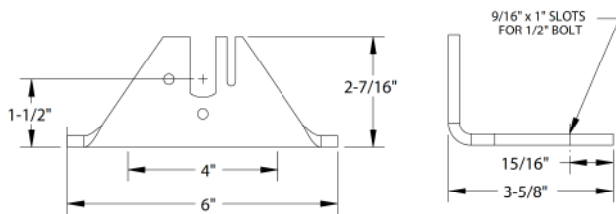
*32-000019 4-1/4" Rise Bracket (2.94 lbs)



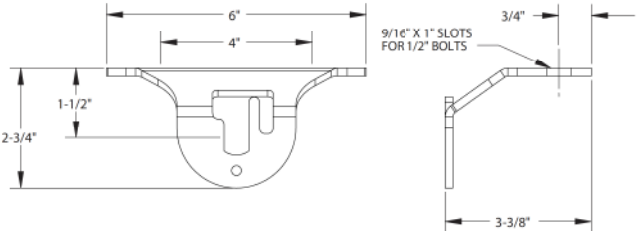
*32-000017 4-1/2" Drop Bracket (1.63 lbs)



*32-000020 1-1/2" Rise Bracket (1.78 lbs)



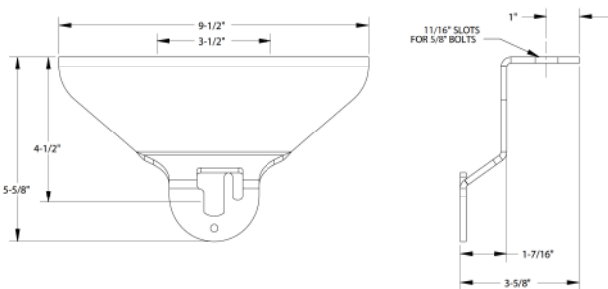
*32-000018 1-1/2" Drop Bracket (0.87 lbs)



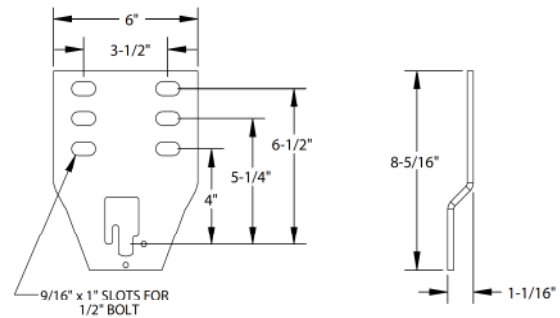
*32-000021 4-1/2" (2.32 lbs)

*32-000022 1-1/2" (2.00 lbs)

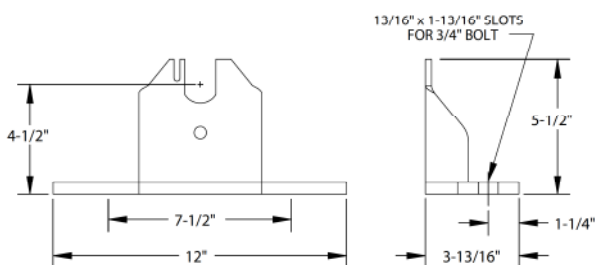
Universal Return Roll Bracket



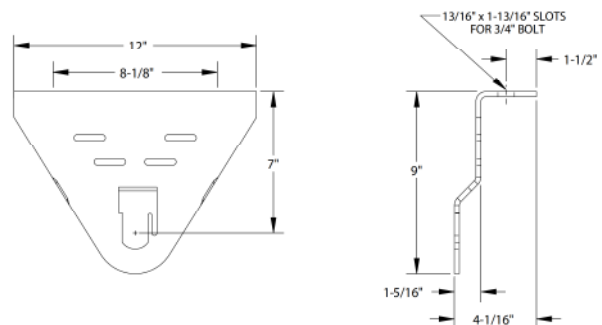
*32-000023 Channel Mount Bracket (2.28 lbs)



32-010045 CEMA E Rise Bracket (7.22 lbs)



32-010075 CEMA E 7" Drop Bracket (6.52 lbs)

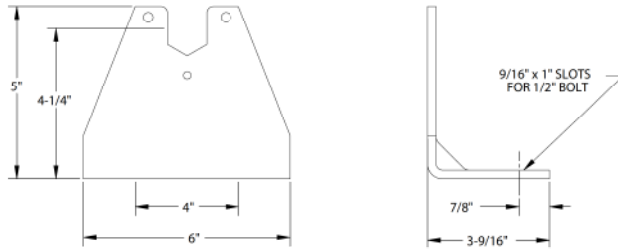


* Part Numbers use hold down kits. The hold down kit part numbers include 13-10076 (CEMA B & C) and 13-10077 (CEMA D).

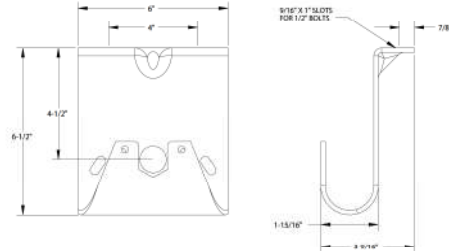
RETURN & FLAT BRACKETS STYLES

81 & 91 SERIES BRACKETS – HEX

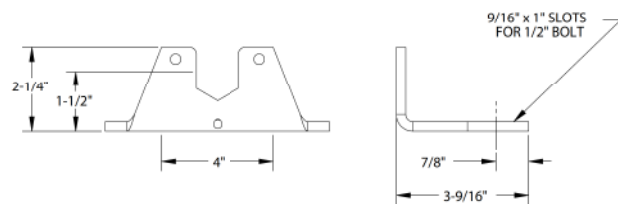
32-000412 4-1/4" Rise Hex Bracket (3.14 lbs)



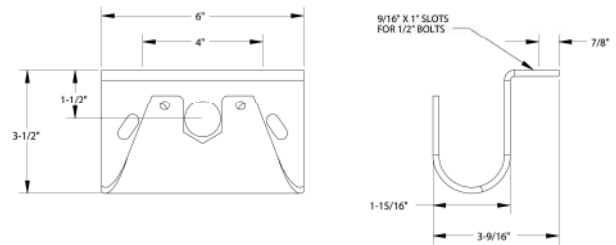
32-014046 4-1/2" Drop Hex Bracket (3.12 lbs)



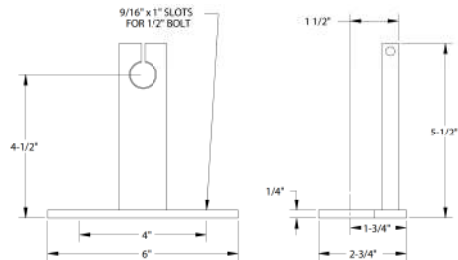
32-011608 1-1/2" Rise Hex Bracket (2.00 lbs)



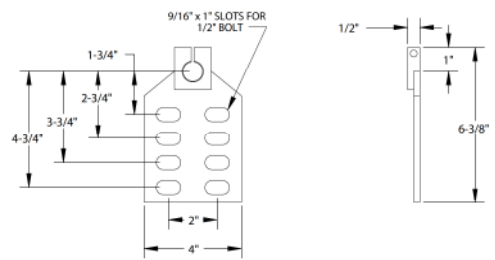
32-015120 1-1/2" Drop Hex Bracket (2.21 lbs)



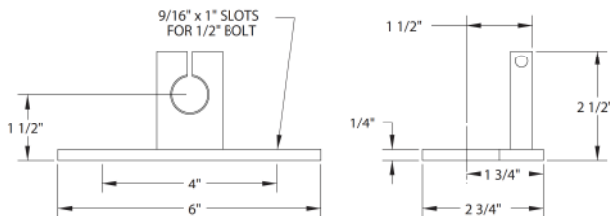
32-410450 4-1/2" CB Bracket (2.10 lbs)



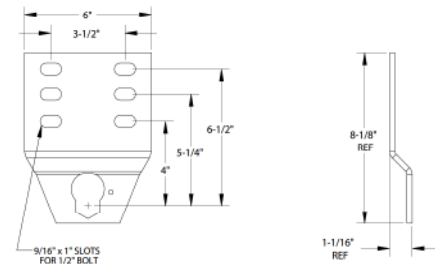
32-506000 CB Channel Mount Hex Bracket (2.00 lbs)



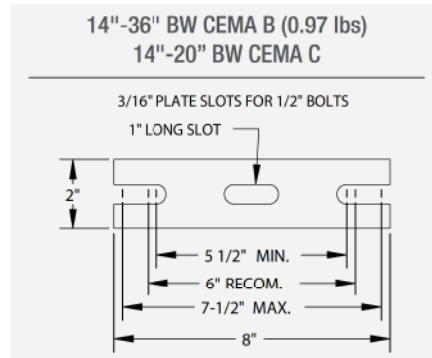
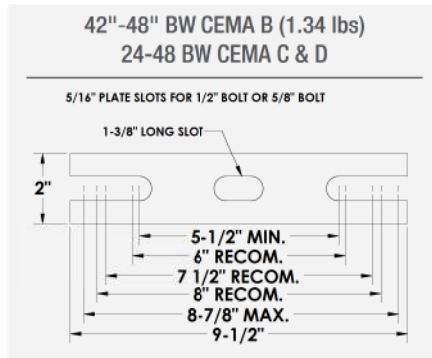
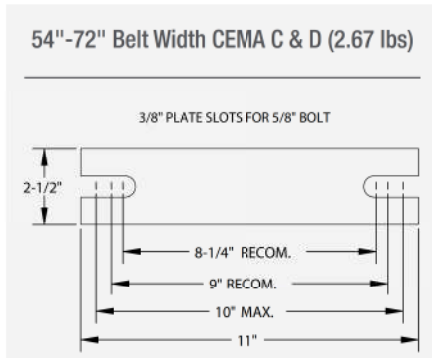
32-044081 1-1/2" CB Bracket (1.40 lbs)



32-044080 CM Channel Mount Hex Bracket (2.00 lbs)



BASE PLATE FOR CEMA B, C, D IDLERS



Brackets