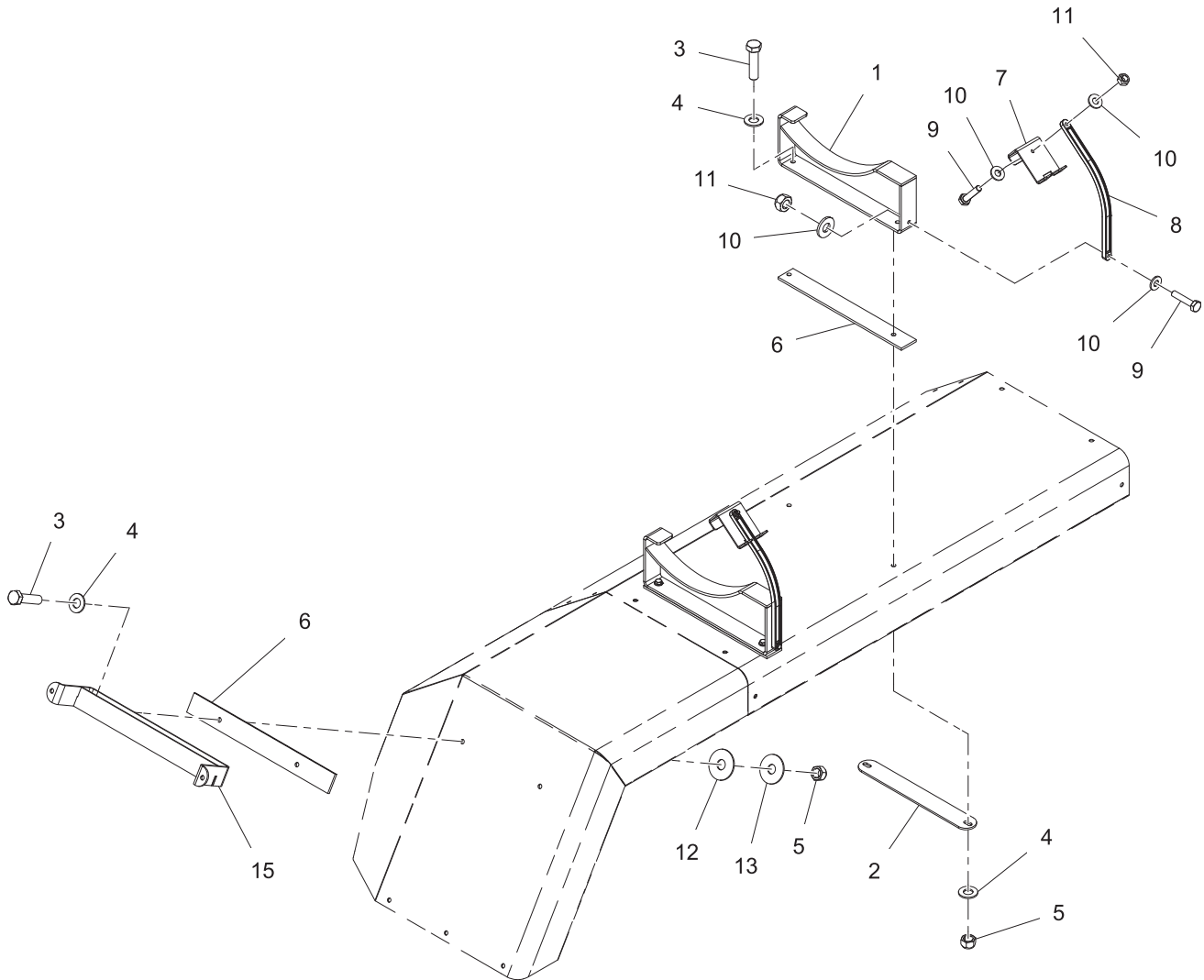


Click number attached to the part or the part numbers on the next pages to link to other parts, some parts may have no link



REF	PART NO.	DESCRIPTION	REF	PART NO.	DESCRIPTION
1	26973	WDMT, Chute Holder, RR Fender	12	19308	Washer, Flat, 3/8", PVC
2	30323	Plate, Backing, Chute Saddle	13	22288	Washer, FNDR, 3/8" X 1-1/4", ZP
3	19109	Bolt, HHCS, 3/8"-16 X 1-1/2", PF, GR8	14*	16903	Strap, Rubber Chute Tie Down, 31"
4	19045	Washer, Flat, 3/8", GR2		27034	Strap, Rubber, Chute Tie Down, 41"
5	19353	Nut, Lock, Top, 3/8"-16, ZP, GRC		32469	Strap, Ratchet, Chute Tie-Down
6	20300	Pad, Rubber, 1/4" X 2"	15	30313	WDMT, Chute Rest, Rear Fender, ADV AL
7	32217	Chute Hold-Down Clamp		30315	WDMT, Chute Rest, Rear Fender, AL PVR
8	16902	Strap, Rubber, 15"		32928	WDMT, Chute Rest, Tall, RR Fender, ADV AL
9	19174	Bolt, HHCS, 1/4"-20 X 1-1/4", PF, GR8		34011	WDMT, Chute Rest, RR FNDR, Paver, Tall
10	19053	Washer, Flat, 1/4", SAE, ZP			
11	19352	Nut, Lock, Top, 1/4"-20, ZP, GRC			

* ITEM 14 IS NOT SHOWN IN THE ILLUSTRATION

WHEN ORDERING PARTS, SPECIFY MODEL NUMBER, SERIAL NUMBER AND DESCRIPTION OF PARTS REQUIRED



CHUTE REST & MOUNTS

DATE: Released 01-2016

MODEL: FD

PAGE: 15.6

GROUP

15