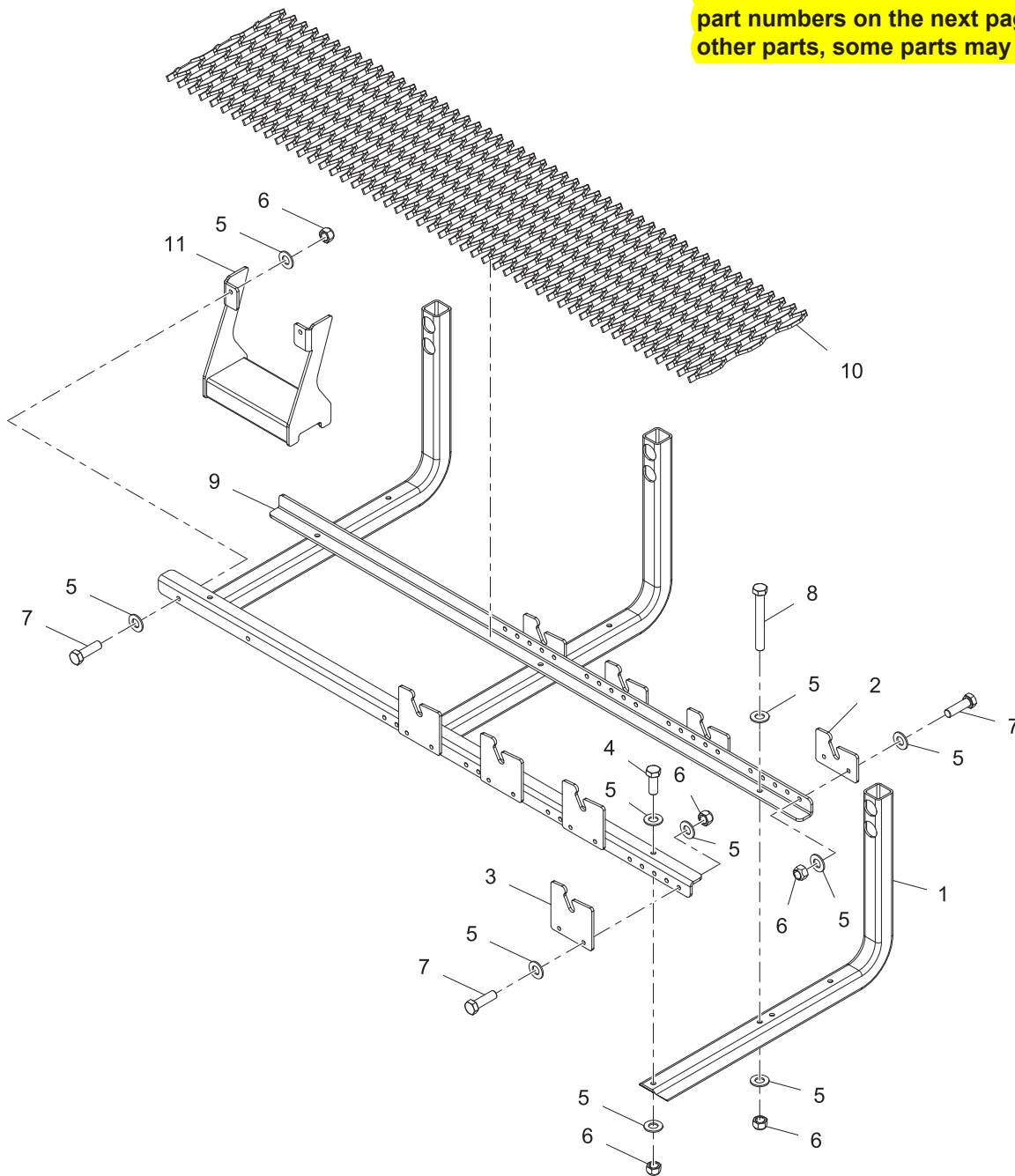


Click number attached to the part or the part numbers on the next pages to link to other parts, some parts may have no link



REF	PART NO.	DESCRIPTION	REF	PART NO.	DESCRIPTION
1	31392	BRKT, Chute Carrier, 2008	10	32389	Tray, Chute Carrier, 14.25 X 28, STD
2	31488	Mount, Chute Carrier, Low, Inside		32388	Tray, Chute Carrier, 15.75 X 28, Paver
3	31489	Mount, Chute Carrier, High, Outside		34089	Tray, Chute Carrier, 14.25 X 38, STD
4	19105	Bolt, HHCS, 3/8-16 X 1, GR8		34088	Tray, Chute Carrier, 15.75 X 38, Paver
5	19272	Washer, Flat, 3/8 A325		32109	Tray, Chute Carrier, 14.25 X 46, STD
6	19353	Nut, Auto Style, 3/8-16, GRC		32108	Tray, Chute Carrier, 15.75 X 46, Paver
7	19107	Bolt, HHCS, 3/8-16 X 1-1/4, GR8		34091	Tray, Chute Carrier, 14.25 X 53, STD
8	19148	Bolt, HHCS, 3/8-16 X 3, GR8		34090	Tray, Chute Carrier, 15.75 X 53, Paver
9	32391	Rail, Chute Carrier, FD, 28"		31495	Tray, Chute Carrier, 14.25 X 65, STD
	34086	Rail, Chute Carrier, FD, 38"		32397	Tray, Chute Carrier, 15.75 X 65, Paver
	32394	Rail, Chute Carrier, FD, 46"	11	31497	WDMT Step Chute Carrier
	34087	Rail, Chute Carrier, FD, 53"			
	31487	Rail, Chute Carrier, FD, 65"			

WHEN ORDERING PARTS, SPECIFY MODEL NUMBER, SERIAL NUMBER AND DESCRIPTION OF PARTS REQUIRED

	<h2>CHUTE CARRIER</h2>	DATE: Released 01-2016	GROUP <h1>15</h1>
		MODEL: FD	
		PAGE: 15.5	