

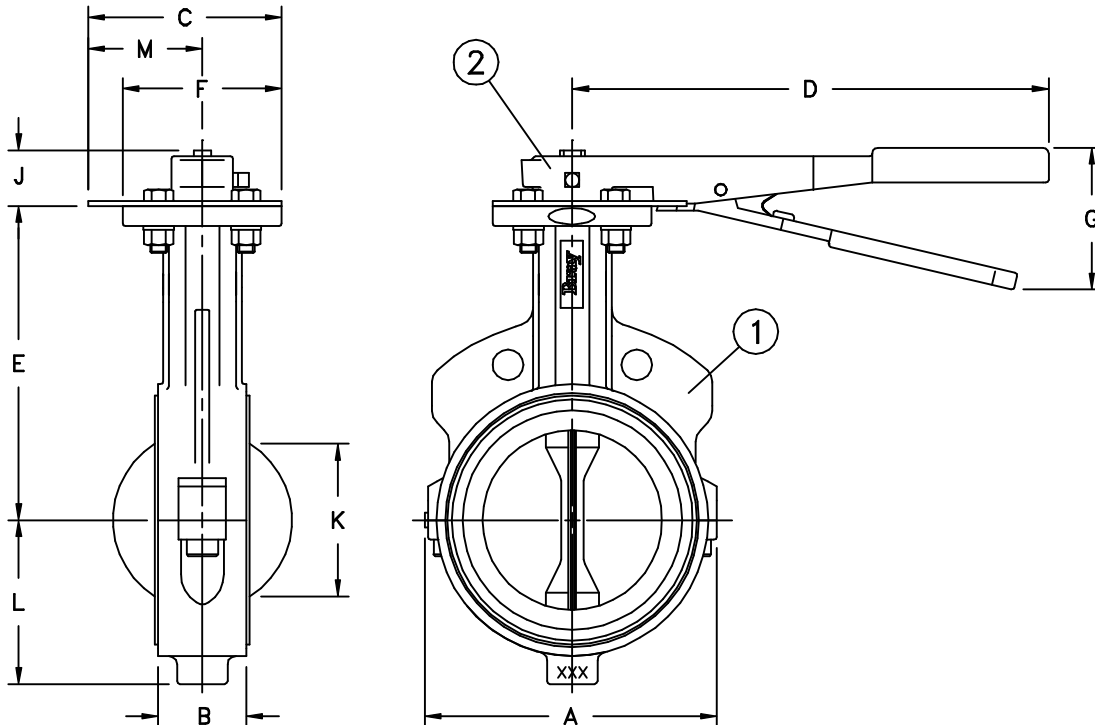
ATTENTION

THIS DOCUMENT IS VALID IF AND ONLY IF YOU PERSONALLY DOWNLOADED IT FROM WWW.BRAY.COM
 IF YOU RECEIVED THIS DOCUMENT FROM ANY OTHER SOURCE, PLEASE TAKE INTO CONSIDERATION THAT ALTERATIONS
 COULD HAVE BEEN MADE. FOR AN ORIGINAL COPY, PLEASE CONTACT BRAY VALVE AT 281-894-5454

SERIES 20
ES11A-0250
Date: JULY 1996

Valve Size	A	B	C	D	E	F	G	J	K	L	M
1"	2.60	1.18	2.56	7.74	3.54	2.56	2.37	1.00	.44	1.65	1.28
1½"	3.33	1.26	2.56	7.74	4.12	2.56	2.37	1.00	1.35	2.15	1.28
2"	4.25	1.62	4.32	10.62	5.50	3.54	3.16	1.25	1.32	2.22	2.55
2½"	4.81	1.75	4.32	10.62	6.00	3.54	3.16	1.25	1.91	2.47	2.55
3"	5.38	1.75	4.32	10.62	6.25	3.54	3.16	1.25	2.55	2.81	2.55
4"	6.56	2.00	4.32	10.62	7.00	3.54	3.16	1.25	3.57	3.56	2.55
5"	7.38	2.12	4.32	10.62	7.50	3.54	3.16	1.25	4.63	4.28	2.55
6"	8.88	2.12	4.32	10.62	8.00	3.54	3.16	1.25	5.45	4.78	2.55
8"	11.25	2.50	6.66	11.75	9.50	5.91	3.16	1.25	7.45	6.03	3.70
10"	13.56	2.50	6.66	11.75	10.75	5.91	3.16	2.00	9.53	7.41	3.70
12"	15.56	3.00	6.66	11.75	12.25	5.91	3.16	2.00	11.47	8.41	3.70

Note: K dlm is disc chordal dimension at valve face.



2	HANDLE KIT	1			
1	VALVE	1			
ITEM No.	NAME	No. REQUIRED	SERIES/PART No.	MATERIAL	SPECIFICATION/REMARKS

Valve Size _____ Flg. Drilling _____
 Pressure Rating _____
 Customer/Project _____
 Inq./P.O. No. _____
 Bray Order No. _____
 Certified Correct By _____ Date _____

The High Performance Company
BRAY VALVE & CONTROLS
 A Subsidiary of BRAY INTERNATIONAL, Inc.

DIMENSIONAL DRAWING (inches)
SERIES 20, SIZES 1" THRU 12" BUTTERFLY VALVES
WITH SERIES 01 HANDLE KIT

Series	Size	Part No.	Material Trim Code	Drawing No.
				ES11A-0250

