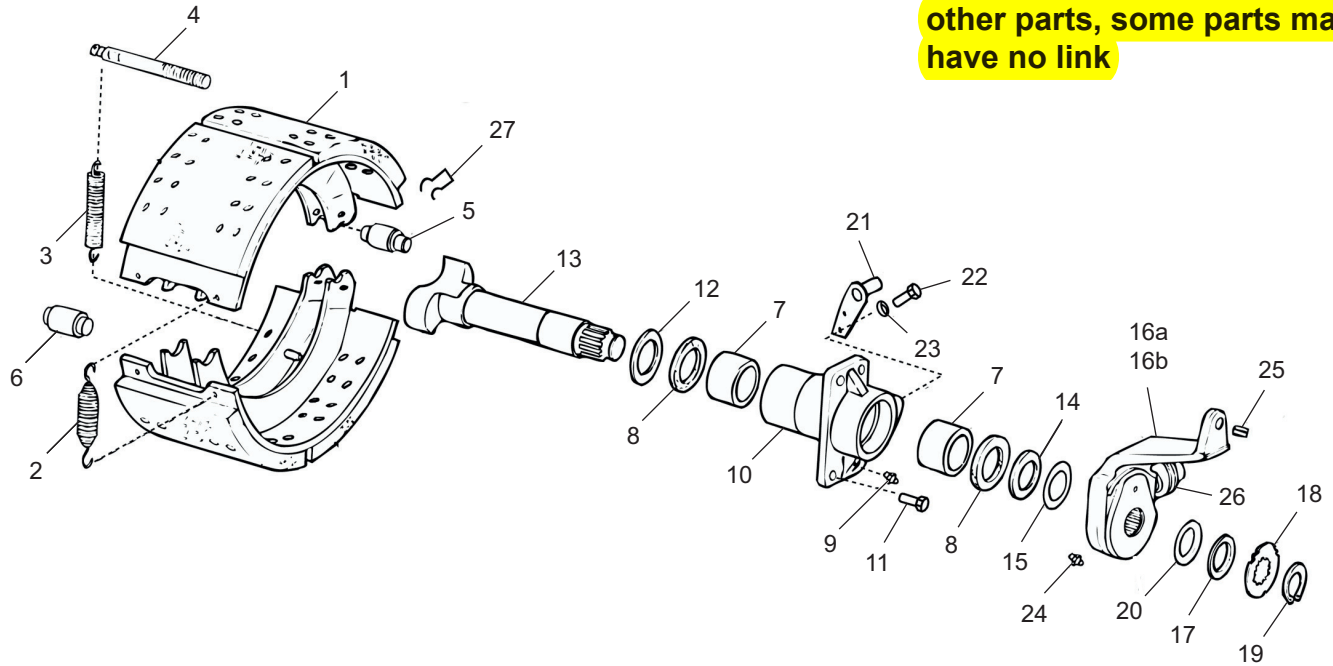



Click number attached to the part or the part numbers on the next pages to link to other parts, some parts may have no link



REF	PART NO.	DESCRIPTION	REF	PART NO.	DESCRIPTION
1	33292	Brake Shoe ASSY. (MT22N/H Only)	16	31402	Automatic Slack Adj., L.H. (MT22N/H Only)
2	16691	Return Spring, Long (MT22/R Only)		31403	Automatic Slack Adj., R.H. (MT22N/H Only)
3	16692	Return Spring, Short			Slack Adjuster, L.H. (MT22/R Only)
4		Pin, Spring Support			Slack Adjuster, R.H. (MT22/R Only)
5	24315	Brake Shoe Roller (MT22N/H Only)	17		Spacer
6		Brake Shoe Pin (MT22N/H Only)	18		Wear Indication Disk
7	16761	Bushing	19		Snap Ring
8	16760	Oil Seal	20		Snap Ring
9		Grease Fitting, 1/8	21		Bumper ASSY., L.H. (MT22N/H Only)
10		Spanner Housing ASSY., L.H. (Includes Items #7, 8 and 9)	22		Bumper ASSY., R.H. (MT22N/H Only)
		Spanner Housing ASSY., R.H. (Includes Items #7, 8 and 9)	23		Bolt M8 X 14 - 1.25 (MT22N/H Only)
11		Hex Bolt Special	24		Lock Washer M8
12		Washer, Special			Grease Fitting, 1/8
13		Cam Shaft, L.H. (MT22N/H Only)			Grease Fitting, M8 X 1.00
		Cam Shaft, R.H. (MT22N/H Only)	25		Bushing
		Brake Spanner, L.H. (MT22/R Only)	26		Cap, Automatic Slack Adj., L.H.
		Brake Spanner, R.H. (MT22/R Only)			Cap, Automatic Slack Adj., R.H.
14		Spacer (MT22N/H Only)			Bolt, M8 X 16 - 1.25
		Spacer			Bolt, M6 X 20 - 1.00
15		Shim, 0.50 MM (MT22N/H Only)	27		Roller Spring (Optional)
		Shim, 0.50 MM	28*		Brake Spring and Roller Kit (MT22N/H Only)
					(Includes Items #2, 3, 5, 6, 27)

\*ITEM 28 IS NOT SHOWN IN THE ILLUSTRATION

WHEN ORDERING PARTS, SPECIFY MODEL NUMBER, SERIAL NUMBER AND DESCRIPTION OF PARTS REQUIRED

	<b>BRAKE KIT, MARMON</b>	DATE: Released 01-2016	<b>GROUP 2</b>
		MODEL: FD	
		PAGE: 2.5	