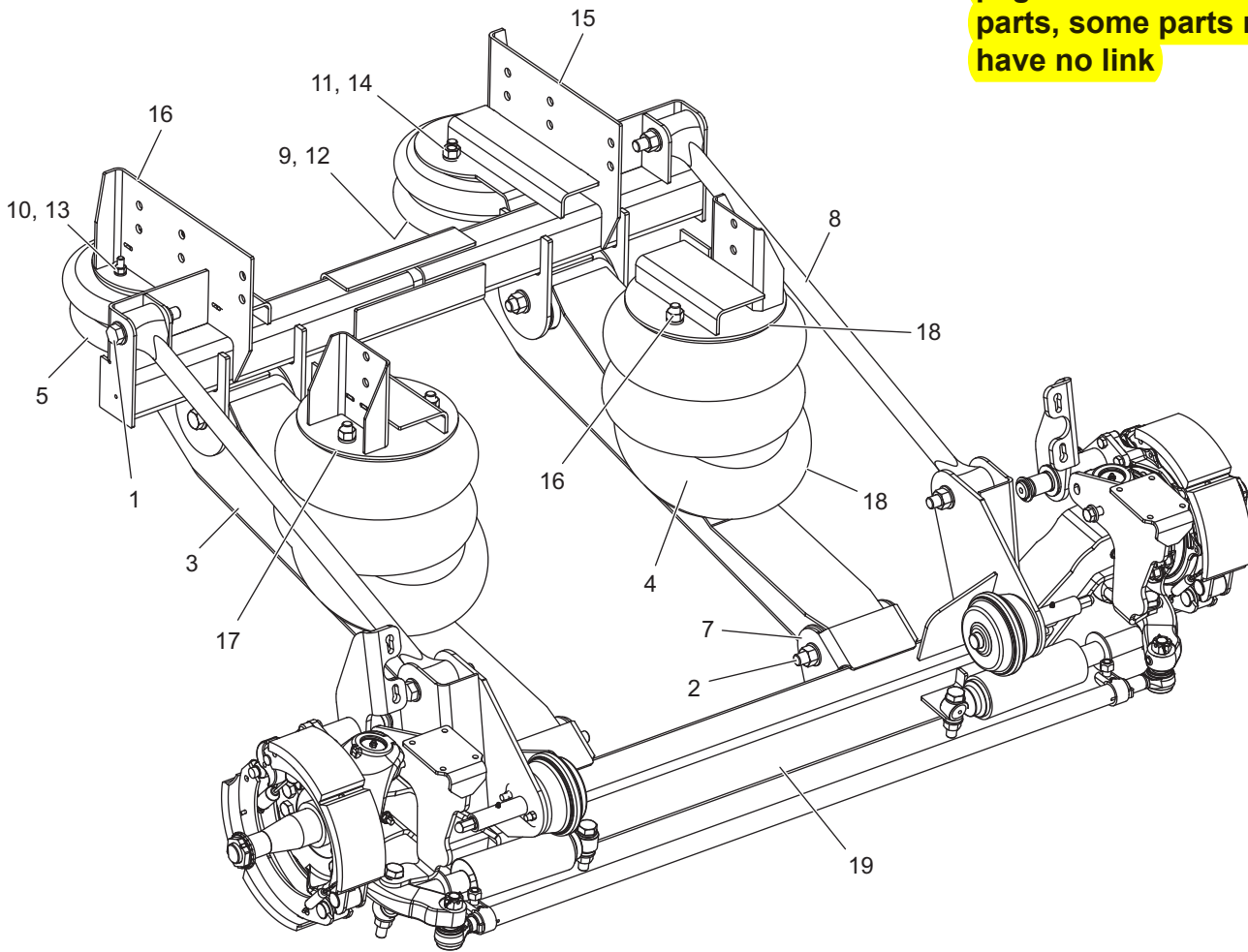


Click number attached to the part or the part numbers on the next pages to link to other parts, some parts may have no link



REF	PART NO.	DESCRIPTION	REF	PART NO.	DESCRIPTION
1	23245	Radius Rod Bolt Kit	11		3/4-16 HEX Nut Grade B
2	22010	Pivot Bolt Kit	12		3/8" Reg. Lock Washer
3		Beam Assembly	13		1/2" Reg. Lock Washer
4	20211	Air Spring (Ride)	14		3/4" Lock Washer
5	20210	Air Spring (Lift)	15		Cross Member Assembly (LH)
6*		Ride Spring Bolt Kit	16		Cross Member Assembly (RH)
7		Wear Pad	17		Upper A/S Assembly (LH)
8		Radius Rod	18		Upper A/S Assembly (RH)
9		3/8"-16X1.0 HHB Grade 5	19		Axle Assembly
10		1/2"-13 HEX Nut GR B			

\*ITEM 6 IS NOT SHOWN IN THE ILLUSTRATION

WHEN ORDERING PARTS, SPECIFY MODEL NUMBER, SERIAL NUMBER AND DESCRIPTION OF PARTS REQUIRED



**AIR LIFT TAG AXLE  
HENDRICKSON UHA**

DATE: Released 01-2016  
MODEL: FD  
PAGE: 2.14

GROUP  
**2**