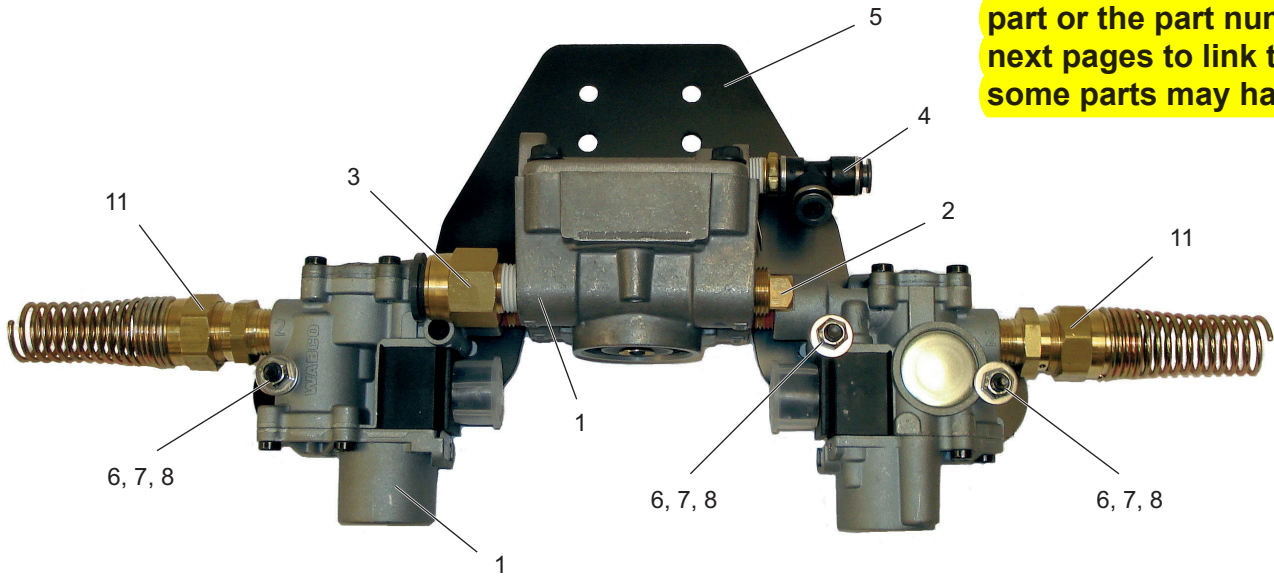
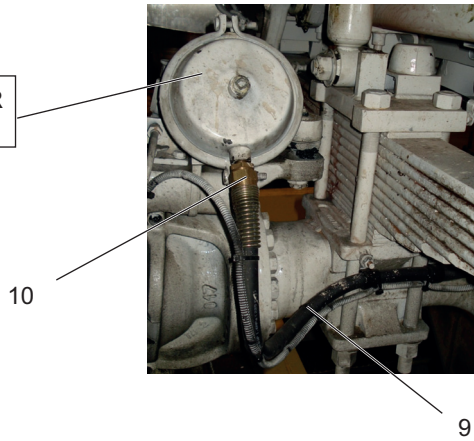


Click number attached to the part or the part numbers on the next pages to link to other parts, some parts may have no link



BRAKE CHAMBER ON FRONT AXLE



REF	PART NO.	DESCRIPTION	QTY	REF	PART NO.	DESCRIPTION	QTY
	34171	ASSY, Valve, ABS, Front, Relay, MY13					
1	34118	Valve, ABS, FT, Relay, MY13	1	7	19348	Nut, Lock, 5/16-18	3
2	12924	FTG, Male, Pipe, 1/2" NPT, Brass	1	8	19068	Washer, Flat, 5/16	3
3	33286	Elbow 1/2" NPT X 3/4" - 45'	1	9	33403	Hose Air, 1/2" (271-8)	11
		Tube PTC	1	10	33402	FTG, Spring Guard, 1/2" Hose X 3/8" NPT	2
4	34443	Tee, Run 3/8" NPT X 1/2" X 3/8"	1	11	33401	FTG, Spring Guard, 1/2" Hose X 1/2" NPT	2
		Tube PTC	1				
5	34170	BRKT, ABS Valve, MY13	1				
6	19236	Bolt, HHCS, 5/16"-18 X 3", PF, GR8	3				

WHEN ORDERING PARTS, SPECIFY MODEL NUMBER, SERIAL NUMBER AND DESCRIPTION OF PARTS REQUIRED

	ABS VALVE, FRONT, RELAY	DATE: Released 01-2016	GROUP 12
		MODEL: FD	
		PAGE: 12.6	