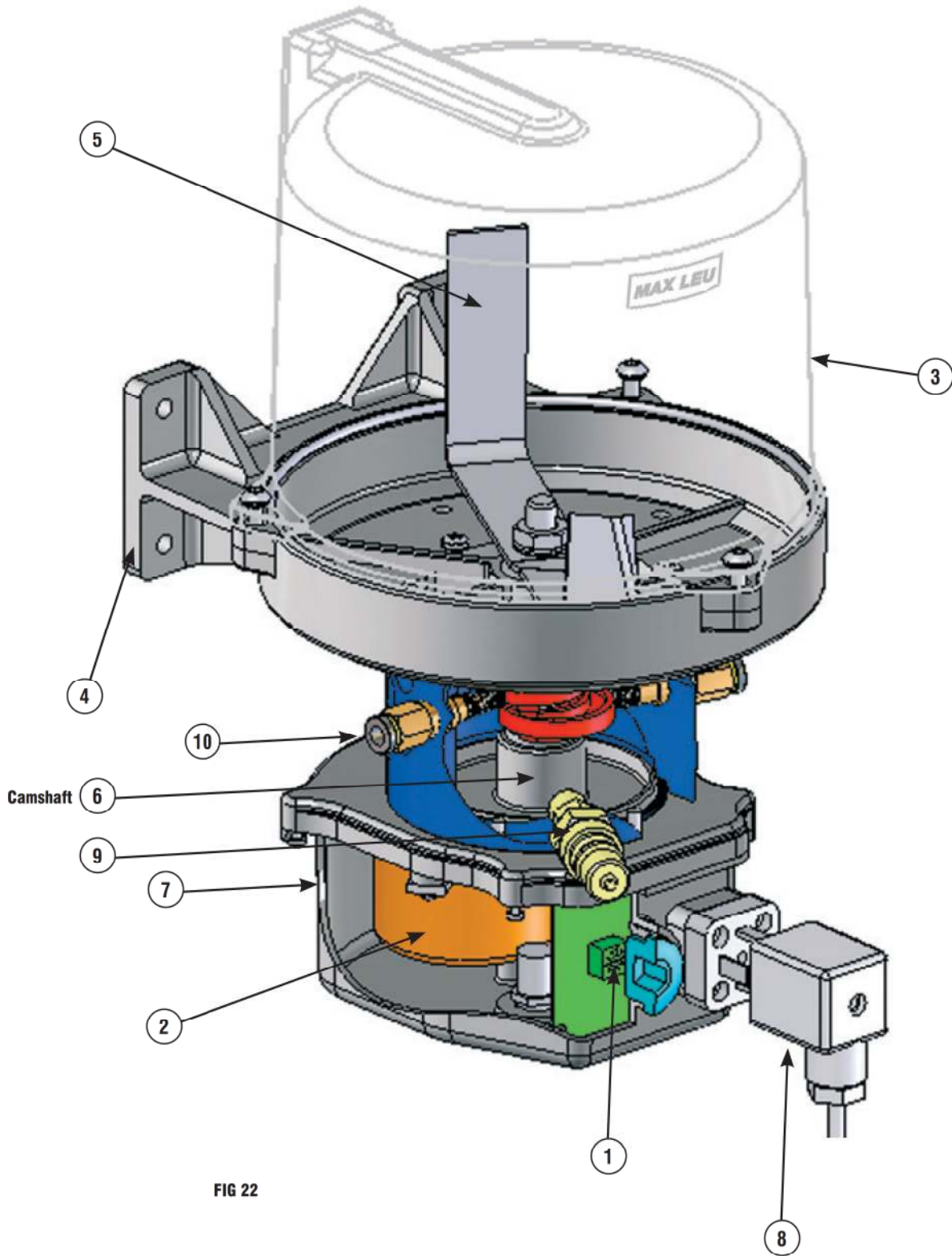


AC3



17.1 PARTS LIST

Item	Part No	Description	Qty	Notes
1	AC3/SP2/12V AC3/SP2/24V	PCB ASSEMBLY	1	
2	AC3/SP8/12V AC3/SP8/24V	ELECTRIC MOTOR	1	
3	AC3/SP9	RESERVOIR	1	
4	38580-126	BRACKET	1	
5	83416-352	PADDLE ASSEMBLY	1	
6	AC3/SP5/1 – 12 OUTLET AC3/SP5/2 – 24 OUTLET AC3/SP5/3 – 36 OUTLET AC3/SP5/4 – 48 OUTLET AC3/SP5/5 – 60 OUTLET AC3/SP5/6 – 72 OUTLET AC3/SP5/7 – 84 OUTLET	CAMSHAFT ASSEMBLY	1	
7	AC3/SP10/12V AC3/SP10/24V	MOTOR COVER AND PCB	1	
8	AC3/SP12	CONNECTOR ASSEMBLY AND CABLE	1	
9	83416-317	QUICK FILL CONNECTION	1	
10	78033 – 0.010CC 78034 – 0.015CC 78035 – 0.025CC 78036 – 0.040CC 78037 – 0.060CC 78038 – 0.100CC	PUMPING UNIT	1	

AC3 PUMP GREASE DELIVERED PER PUMPING UNIT IN 10 HOUR PERIOD

	Set on continuous 1.8 rpm motor speed	Set on continuous 0.9 rpm motor speed	3 min delay 0.9 rpm motor speed	15 min delay 0.9 rpm motor speed	36 min delay 0.9 rpm motor speed
78034 GREEN pumping unit 0.015cc/stroke	16.20cc	8.10cc	2.25cc	0.57cc	0.25cc/hr
78035 YELLOW pumping unit 0.025cc/stroke	27.00cc	13.50cc	3.75cc	0.94cc	0.41cc/hr
78036 BLUE pumping unit 0.04cc/stroke	43.20cc	21.60cc	6.00cc	1.50cc	0.66cc/hr
Typical 18 point system 12-off YELLOW 6-off GREEN Refill period	421.20cc 72 hours	210.60cc 143 hours	58.50cc 513 hours	14.70cc 2040 hours	6.42cc/hr 4673 hours
Typical 24 point system 16-off YELLOW 8-off GREEN Refill period	561.60cc 53 hours	280.80cc 106 hours	78.00cc 385 hours	19.60cc 1530 hours	8.56cc/hr 3505 hours
Typical 36 point system 24-off YELLOW 12-off GREEN Refill period	842.40cc 36 hours	421.20cc 72 hours	117.00cc 256 hours	29.40cc 1020 hours	12.84cc/hr 2336 hours
Typical 48 point system 32-off YELLOW 16-off GREEN Refill period	1123.20cc 26 hours	561.60cc 53 hours	156.00cc 192 hours	39.20cc 765 hours	17.12cc/hr 1752 hours