

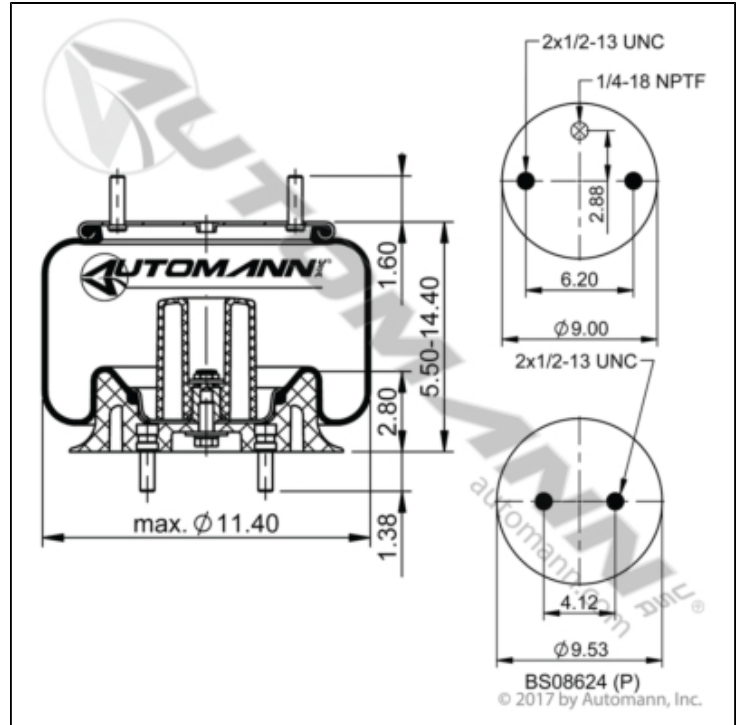
Item Detail for AB1DK20D-9551

Air Spring Rolling Lobe

Automann #	AB1DK20D-9551
UPC Code	889626209437
Brand	Automann
Product Level	OE Aftermarket
Description	• Plastic Base
Ref. #	9551, 64752, 1808670
Shipping	Parcel friendly
Unit Size	1
Weight	11.88 lbs
Pkg. Dimensions (in)	12 X 12 X 12
Arrival Date	June 2015

Product Overview

Automann's premier air spring boasts the ability to maintain ride height. Engineered to meet OEM specification while minimizing vibration and load fluctuations. The Air Spring is guaranteed to ensure a smooth ride for driver and cargo alike. Enjoy a quiet and level ride experience with these long lasting Air Springs. Committed to Keeping Trucks Moving



Alternative Items

Specific Features and Benefits

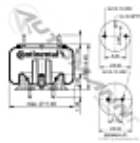
- Quality raw material and manufacturer expertise to guarantee performance
- Plastic Base allows for optimized weight and cost savings
- Features OEM dimensioning for hassle-free assembly
- Resistant to oil, lubricants, and adverse weather conditions
- Manufactured to be environmentally friendly and longer lasting

Specifications

Attribute	Value
Type	Rolling Lobe
Automann Bellows#	1DK20D
Contitech Bellows#	9 9-12
Load (Lbs) @80 PSI	5100
Load (Lbs) @100 PSI	6400
Natural Freq. (CPM)	80

Attribute	Value
Design Height (In)	8.00
Bottom Plate Type	Plastic
Top Plate Hole/Stud Qty	3
Top Plate Dia. (A)	9.00
Top Plate C to C Dia. (B)	6.20
Bottom Plate Hole/Stud Qty	2
Bottom Plate Dia. (C)	9.53
Bottom Plate C to C Dia. (D)	4.12"
Bottom Part #	BS08624
Bumper	Yes
Bracket	N/A
Min. Height	5.50
Max. Height	14.40
Max. Dia.	11.40

Alternative Items

Automann #	Image	Product Name	Brand	Product Level
566.CT64752		Continental Air Spring Rolling Lobe	Continental	OE

Where Used

This item is not featured in any schematics.

Applications

There is no application data for this product.

Cross Reference

Name	Part Number	Notes
Contitech	64752	Air Spring Rolling Lobe
Contitech	99-12P786	Air Spring Rolling Lobe
Firestone	9551	Air Spring Rolling Lobe
Firestone	W013589551	Air Spring Rolling Lobe
Firestone	W01-358-9551	Air Spring Rolling Lobe
Monaco Coach	01808670	Air Spring Rolling Lobe