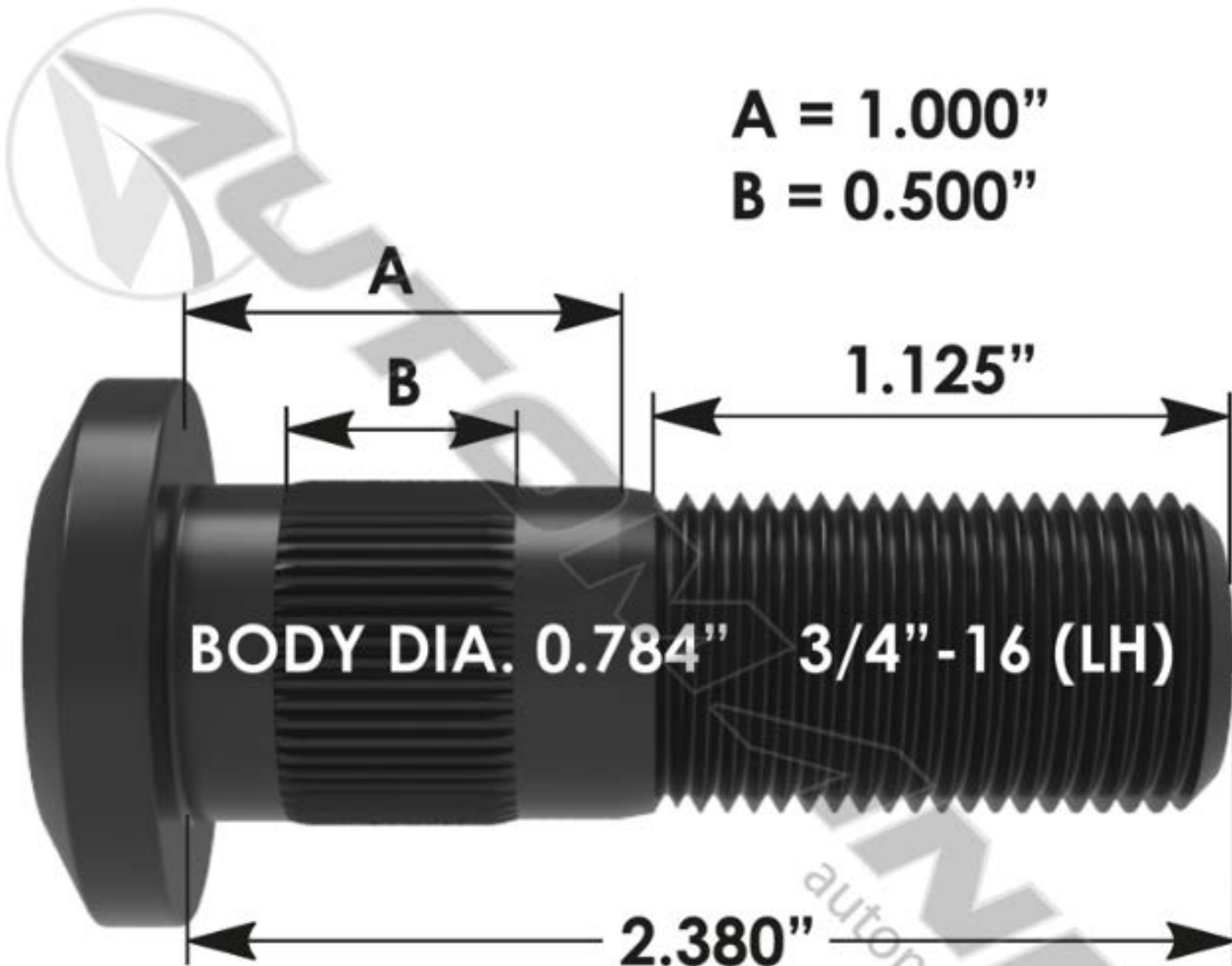


A = 1.000"

B = 0.500"



BODY DIA. 0.784" 3/4"-16 (LH)

2.380"

automann.com