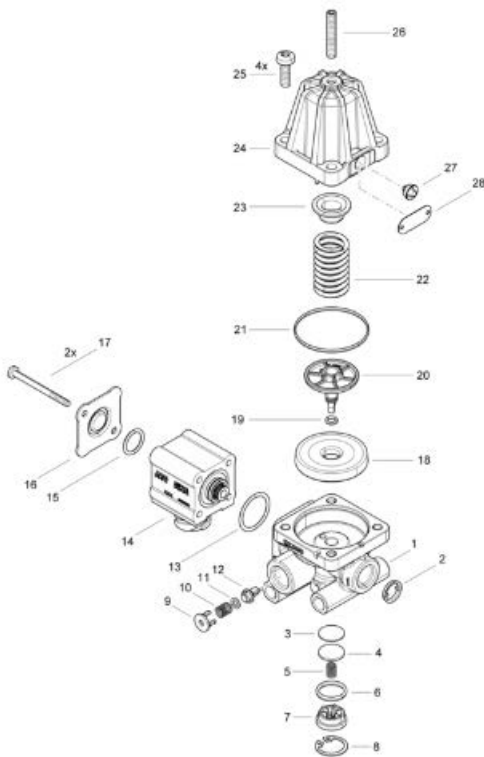


List of Spare Parts



Position	Description	Quantity in Device	Part of a Repair Kit	Available Individually
1	Body	1		
2	Sieve	1		8993408524
3	Valve	1		8995058304
4	Valve	1		8995058304
5	Compression Spring, special	1		
6	O-Ring ISO3601-14,3x2,4	1		8970810504
7	Cover	1		
8	Retaining ring DIN472-20x1	1		
9	Insert	1		
10	Cylindrical compression spring	1		
11	O-Ring ISO3601-4,5x1,50	1		
12	Valve body	1		
13	O-Ring ISO3601-23x2	1		8970827904
14	Valve solenoid	1		
15	O-Ring ISO3601-15x2	1		8977702504
16	Cover	1		
17	Cheese Head Screw	2		
18	Cup Seal	1		
19	O-Ring ISO3601-4,8x1,6	1		
20	Piston	1		
21	O-Ring ISO3601-45,7x1,5	1		
22	Cylindrical compression spring	1		
23	Cap	1		
24	Cover	1		
25	Fillister head screw ISO14583-M6x20	4		
26	Set Screw ISO4026-M6x35	1		
27	Valve	1		
28	Name Plate JED341	1		

