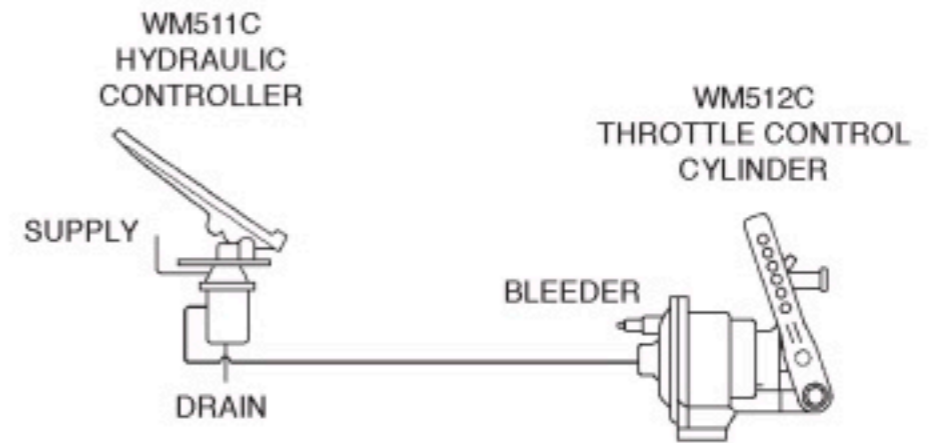


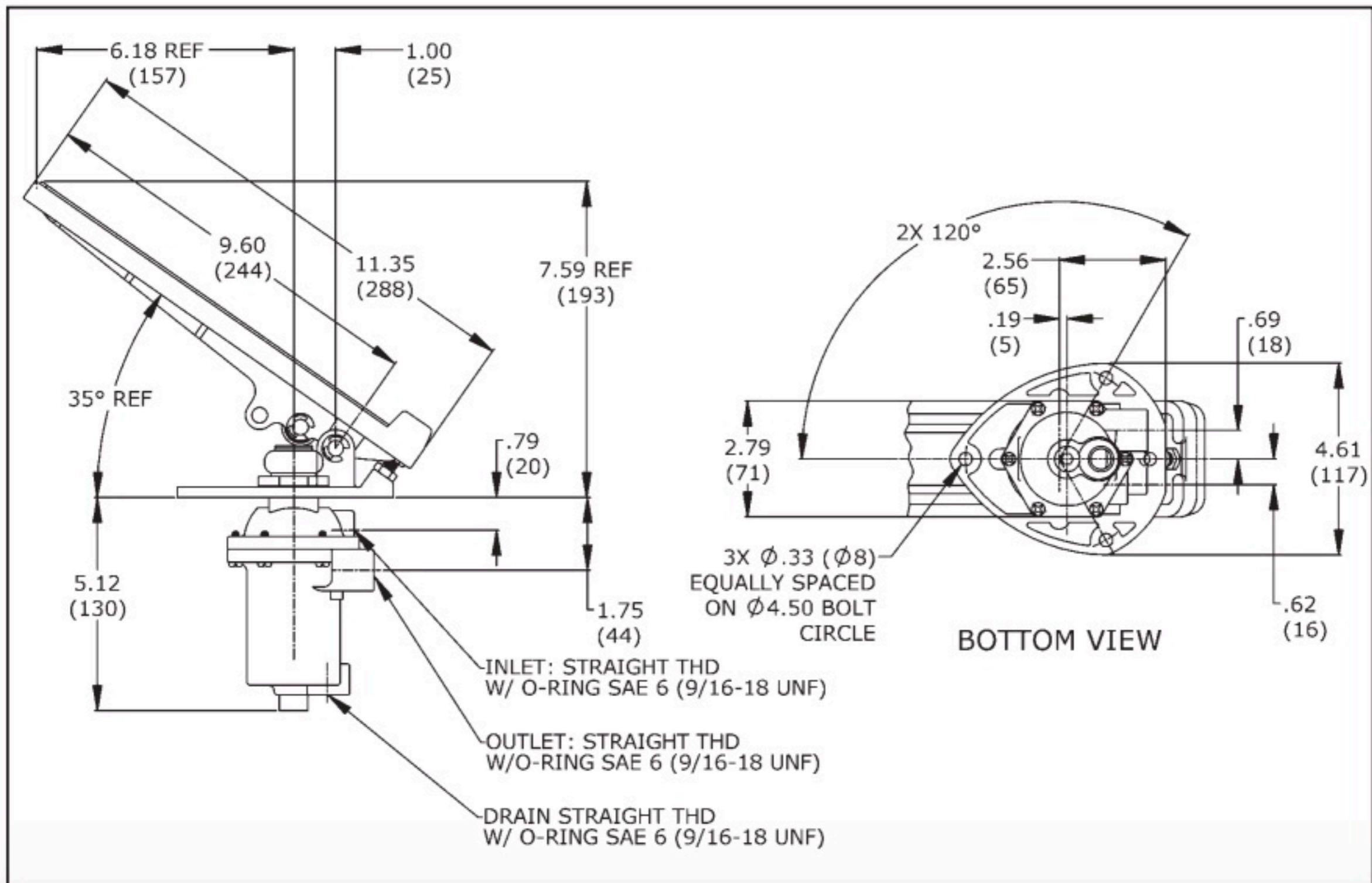


Features and Specs

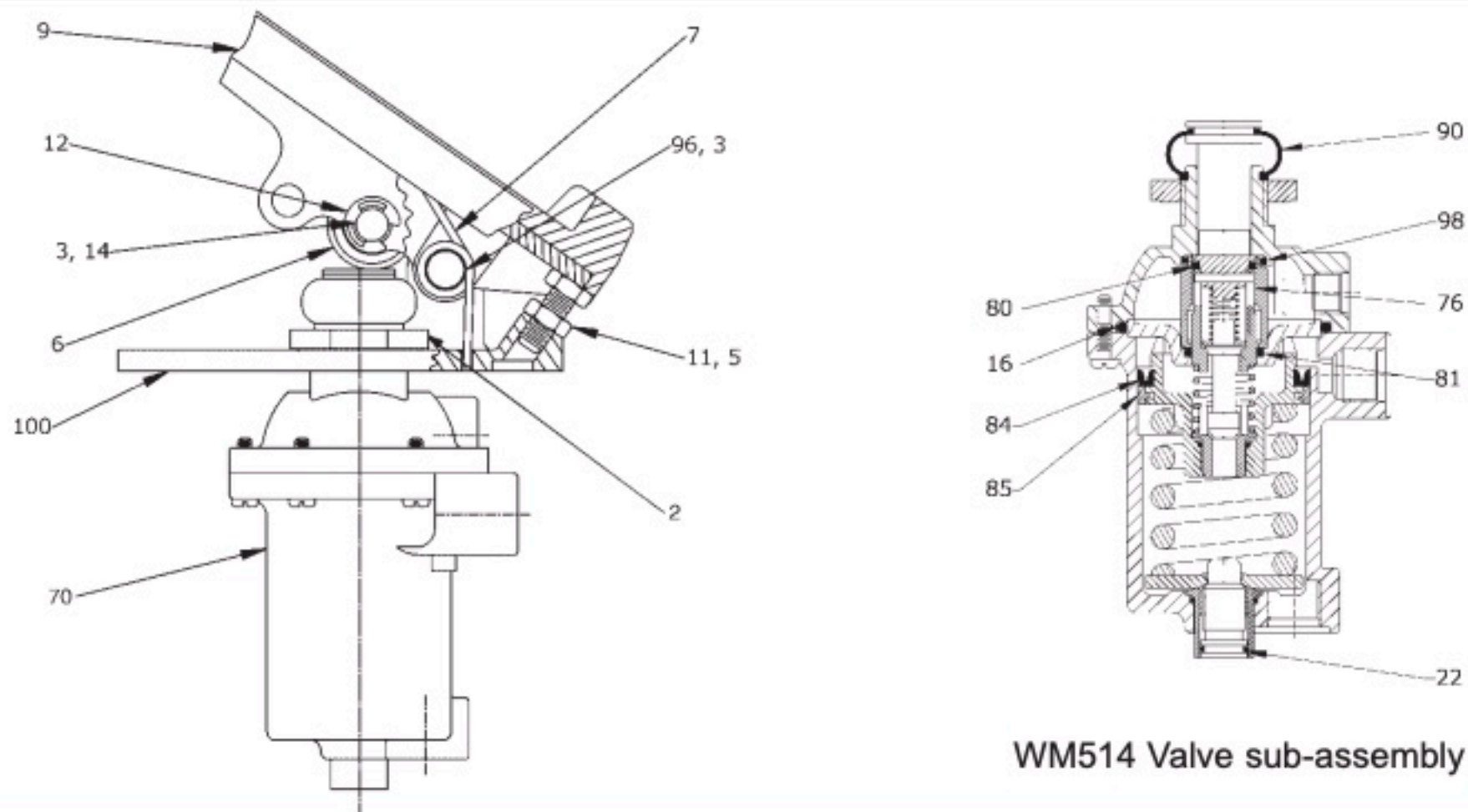
- Port size: SAE 6 (9/16-18 UNF) straight thread with o-ring
- For off-highway applications only
- Weight: 4 lb, 3 oz (1,9 kg)
- Maximum operating pressure: 300 PSI (2068 kPa)
- Operating temperature: -20°F to 200°F (-29°C to 93°C)



Dimensional Data



Cross Section & Parts



Item	Part No.	Description	WM511C	WM511H
2	101114	Nut	1	1
3	102371	Treadle Pin	2	2
5	—	Jam Nut	1	1
6	103113	Roller	1	1
7	103704	Spring	1	1
9	118775	Treadle Assembly	1	1
11	—	Screw	1	1
12	106857	Snap Ring	4	4
13	110370	Bushing	2	2
14	118388	Bushing	2	2
16	—	O-Ring	1	1
22	—	O-Ring	1	1
70	119128	WM514C Valve sub-assembly	1	
70	131635	WM514H Valve sub-assembly		1
76	—	O-Ring	1	1
80	—	Backup Ring	1	1
81	—	O-Ring	1	1
84	—	U-Cup	1	1
85	—	Wear Ring	1	1
96	102374	Treadle Pin	1	1
98	—	O-Ring	1	1
99	103039	Boot	1	1
100	116721	Mounting Plate	1	1

Serviceable items are identified above.

Service Kit Information

Kit	Service Kit Number	Item Numbers
Repair kit	119305	16, 22, 76, 80, 81, 84, 85, 90, 98
WM514C Valve sub-assembly	119128	Includes all components below mounting plate
WM514H Valve sub-assembly	119131	Includes all components below mounting plate

To Order

To order a WM511 model, select part number from the chart below.

Model	Part Number	Output Range
WM511C	119130	30-100 PSI (276-690 kPa)
WM511H	131635	50-250 PSI (345-1725 kPa)