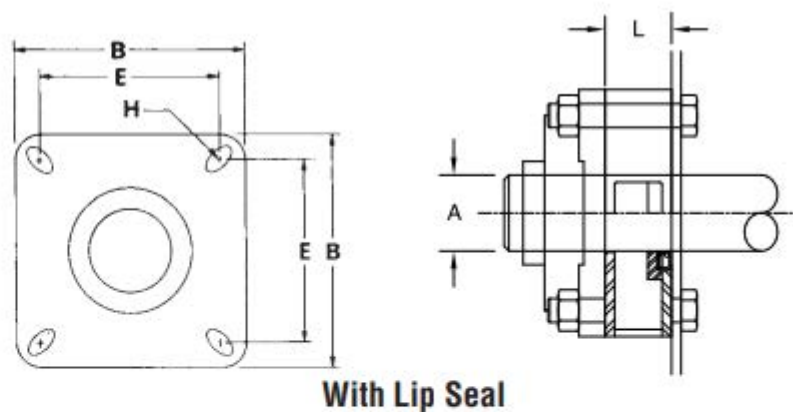


# Waste Pack Seal

Waste pack seals are furnished with waste packing in combination with lip seal. This type seal is normally installed between the trough end and bearing, but may be used separately on pedestal type trough ends. An opening is provided at top for repacking without removing seal from trough end.



A Shaft Diameter	Part Number	B	L	E		H Bolts		Weight
				(-B)	(-R)	(-B)	(-R)	
1 1/2	CSW3	5 3/8	1 3/4	4	4 1/8	1/2	1/2	6
2	CSW4	6 1/2	1 3/4	5 1/8	4 3/8	5/8	1/2	8
2 7/16	CSW5	7 3/8	1 3/4	5 5/8	5 3/8	5/8	5/8	10
3	CSW6	7 3/4	1 3/4	6	6	3/4	3/4	13
3 7/16	CSW7	9 1/4	2 1/4	6 3/4	7	3/4	3/4	16