

## Item Detail for ABSP2B22RA-7472

### Air Spring Double Convoluted

<b>Automann #</b>	ABSP2B22RA-7472
<b>UPC Code</b>	889626208447
<b>Brand</b>	Automann
<b>Product Level</b>	OE Aftermarket
<b>Description</b>	Air Spring Double Convoluted
<b>Ref. #</b>	7472, 2B12-434, 64535, B12514005, AS0112
<b>Shipping</b>	Parcel friendly
<b>Unit Size</b>	1
<b>Weight</b>	12.44 lbs
<b>Pkg. Dimensions (in)</b>	12 X 12 X 12
<b>Arrival Date</b>	March 2012

### Product Overview

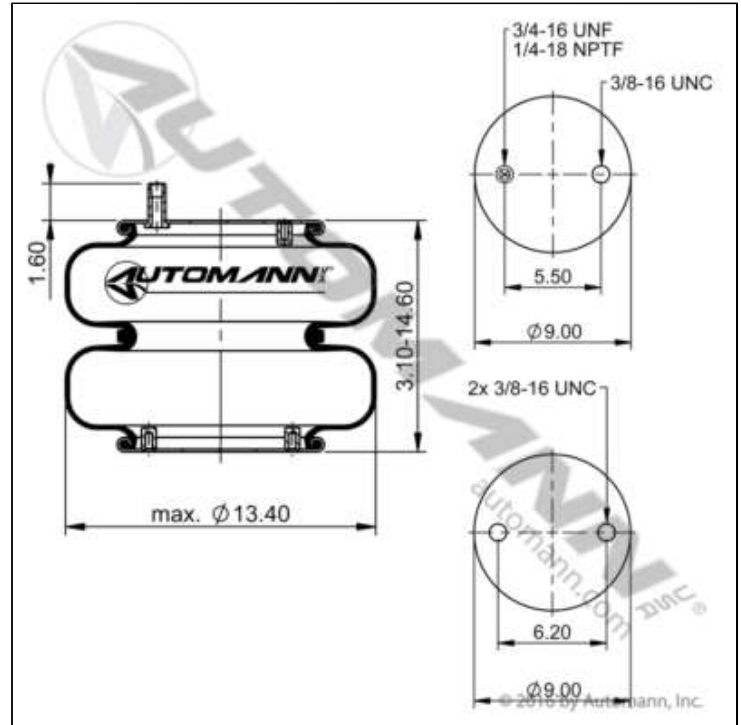
Automann's double convoluted air spring boasts the ability to maintain ride height and to maximize service life. The two bellows design is engineered to meet OEM specification while minimizing vibration and load fluctuations. The Air Spring is guaranteed to ensure a smooth ride for driver and cargo alike. Enjoy a quiet and level ride experience with these long lasting Air Springs. Committed to Keeping Trucks Moving

### Specific Features and Benefits

- High quality raw material and manufacturer expertise to guarantee long-lasting performance
- The double convoluted design of the air spring is ideal for handling load fluctuations
- Features OEM dimensioning for hassle-free assembly
- Resistant to oil, lubricants, and averse weather conditions
- Manufactured to be environmentally friendly and longer lasting at an optimal weight

### Specifications

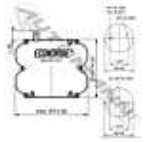

Attribute	Value
Type	Double Convoluted
Brand	Automann Phoenix
Automann Bellows#	SP2B22RA



### Alternative Items

Attribute	Value
Firestone Bellows#	228CT-1.5
Goodyear Bellows#	578-92-3-310
Contitech Bellows#	FD 330-30
Triangle Bellows#	6328
Load (Lbs) @80 PSI	5400
Load (Lbs) @100 PSI	6800
Natural Freq. (CPM)	88
Design Height (In)	10.00
Top Plate Hole/Stud Qty	2
Top Plate Dia. (A)	9.00
Top Plate C to C Dia. (B)	5.50
Bottom Plate Hole/Stud Qty	2
Bottom Plate Dia. (C)	9.00
Bottom Plate C to C Dia. (D)	6.20"
Bumper	No
Min. Height	3.10
Max. Height	14.60
Max. Dia.	13.40

### Alternative Items

Automann #	Image	Product Name	Brand	Product Level
<a href="#">566.ER7472</a>		Econoride Air Spring Double Convolution	Econoride	Fleet Value
<a href="#">566.CT64535</a>		Continental Air Spring Double Convolution	Continental	OE

### Where Used

This item is not featured in any schematics.

### Applications

There is no application data for this product.

## Cross Reference

Name	Part Number	Notes
Contitech	64535	Air Spring Double Convolute
Contitech	FD 330 30 371	Air Spring Double Convolute
Firestone	7472	Air Spring Double Convolute
Firestone	W013587472	Air Spring Double Convolute
Firestone	W01-358-7472	Air Spring Double Convolute
Goodyear	2B12434	Air Spring Double Convolute
Goodyear	2B12-434	Air Spring Double Convolute
Hendrickson	365145	Air Spring Double Convolute
Hendrickson	36514-5	Air Spring Double Convolute
Hendrickson	B12235	Air Spring Double Convolute
Hendrickson	B-12235	Air Spring Double Convolute
Hendrickson	B12514005	Air Spring Double Convolute
Hendrickson	B-12514-005	Air Spring Double Convolute
Hendrickson	HA100095	Air Spring Double Convolute
Hendrickson	HA-10009-5	Air Spring Double Convolute
Hendrickson	NA1825	Air Spring Double Convolute
Hendrickson	NA-1825	Air Spring Double Convolute
Hendrickson	S12335	Air Spring Double Convolute
Hendrickson	S-12335	Air Spring Double Convolute
Hendrickson	S12514005	Air Spring Double Convolute
Hendrickson	S-12514-005	Air Spring Double Convolute
Hendrickson	S-1345	Air Spring Double Convolute
Hendrickson	S-5468	Air Spring Double Convolute
IHC	1681751C1	Air Spring Double Convolute
Loadguard	SC2128	Air Spring Double Convolute
Neway	57007472	Air Spring Double Convolute
Watson&Chalin	AS0112	Air Spring Double Convolute
Watson&Chalin	AS-0112	Air Spring Double Convolute