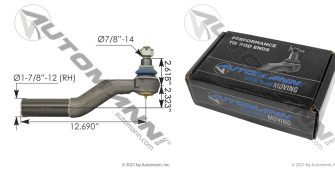
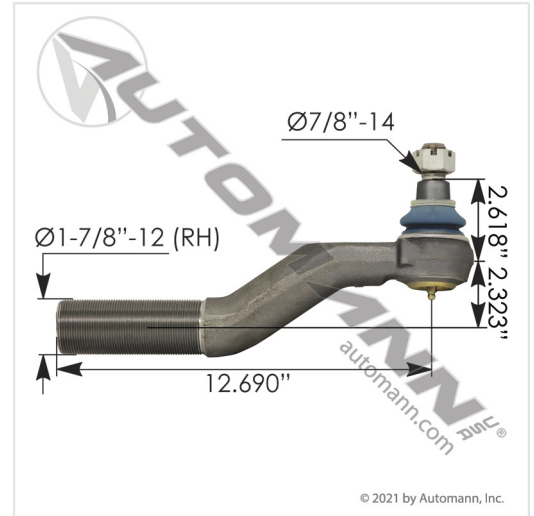
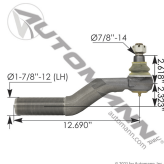


Tie Rod End RH

Automann #	462.ES3030R
UPC Code	889626064685
Categories	Steering > Tie Rod Ends Browse By Brand > Automann Steering > Tie Rod Ends > Type 4 - Dropped > Rod End OD - 1-7/8"-12
Brand	Automann
Product Level	Fleet Standard
Description	<ul style="list-style-type: none"> • 2.30 inch Offset Drop • 12.69 in C to End, 1-7/8-12 in Stud, Minor Taper 1.08 inch
Ref. #	ES3030R, L28SV5326A14
Applications	Dana/Spicer, Freightliner, International, Kenworth, Meritor, Peterbilt, Western Star
Shipping	Parcel friendly
Unit Size	1
Weight	12.6 lbs
Pkg. Dims (in) Pkg. Dims (in)	14.25 X 8 X 2.75
Arrival Date	July 2006



Related Items

Automann #	Image	Product Name
462.ES3031L		Tie Rod End LH

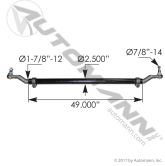

Specifications



WARNING:
Cancer and Reproductive Harm
www.P65Warnings.ca.gov

Attribute	Value
Applications	Dana/Spicer Freightliner International Kenworth Meritor Peterbilt Western Star

Item Used In

Automann #	Image	Product Name
463.DS5531		Cross Tube Assembly IHC
463.DS9854		Cross Tube Assembly

Where Used

There is no usage data for this product.

Series

There is no series data for this product.

Cross Reference

Name	Part Number	Notes
Autocar	85108889	Tie Rod End
Autocar	85112008	Tie Rod End
Autocar	A8015594	Tie Rod End
Chevrolet/Gm	15622069	Tie Rod End
Dana	220TR119	Tie Rod End
Gmc	15579760	Tie Rod End
IHC	1668480C91	Tie Rod End

Name	Part Number	Notes
IHC	FTR3030R	Tie Rod End
IHC	FTR3030RA	Tie Rod End
Meritor	A3144D550	Tie Rod End
Meritor	R230104	Tie Rod End
Trw	28SV5326A16	Tie Rod End
Trw	ES3030R	Tie Rod End
Trw	L24SV8454A14	Tie Rod End
Trw	L24SV8454A16	Tie Rod End
Trw	L24SV8454A18	Tie Rod End
Trw	L24SV8454A19	Tie Rod End
Trw		