

General Description

The DSL101C and DSL101N 2-way, poppet-type, solenoid valves are used in applications requiring on/off valves and low leakage. Single acting cylinder applications typically utilize valves of this type. Valves can be used for bleed down flow and/or raising and lowering a vertical cylinder. Normally open and normally closed configurations plus manual overrides are available.

Operation

Normally Closed

The valve pilot is held on its seat by spring force, blocking pilot flow. This allows pressure at the inlet to hold the poppet on its seat, thus, preventing flow through the valve (inlet to outlet). When the coil is energized, the valve pilot is pulled off its seat. This vents pressure inside the poppet to the outlet port, creating a pressure imbalance across the main poppet which allows flow from the inlet to the outlet.

Normally Closed, Fast Response

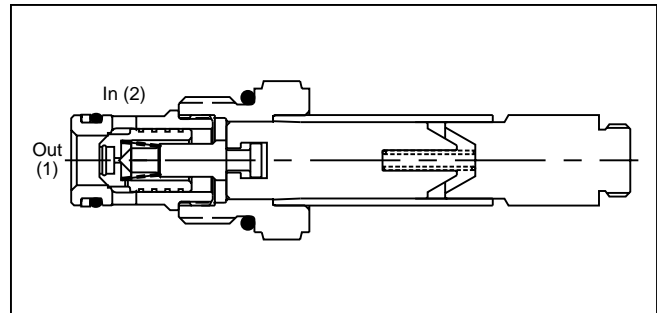
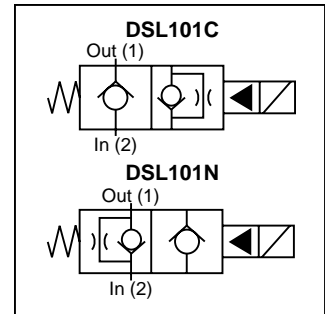
The operation of this version is identical to the normally closed valve except for the travel of the poppet. The distance that the poppet travels is much shorter. This gives the fast response valve a faster opening time and a reduced maximum flow rate.

Normally Open

The valve pilot is held off of its seat by spring force. Pilot flow is vented to the outlet port, creating a pressure imbalance that moves the main poppet off its seat, allowing flow from the inlet to the outlet. When the coil is energized, the valve pilot and main poppet are forced to close, thus blocking flow from the inlet to the outlet.

Features

- Low hysteresis
- Replaceable, one piece encapsulated, coils with minimal amperage draw
- Variety of coil terminations and voltages
- Variety of manual override options available

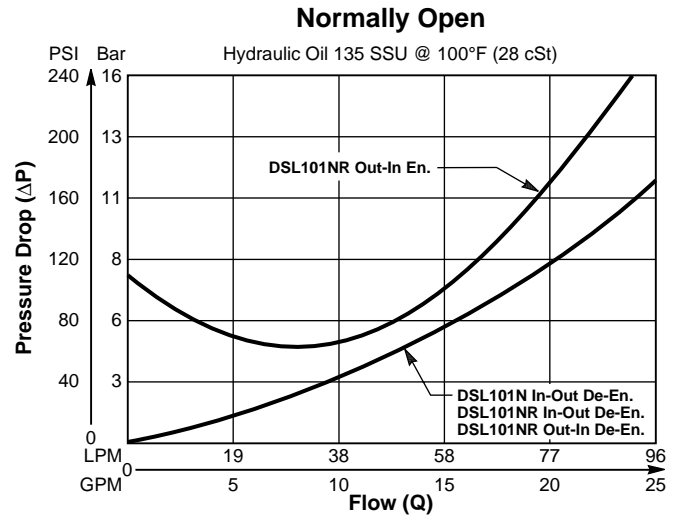
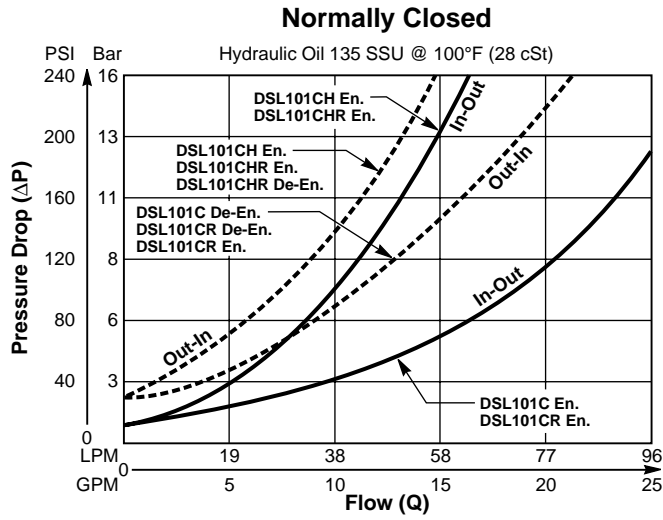


Specifications

Rated Flow (At 70 PSI ΔP)	DSHL101CH & DSL101CHR 30 LPM (8 GPM) All other versions 60 LPM (15 GPM)
Maximum Inlet Pressure	210 Bar (3000 PSI)
Leakage	10 drops/min. (2/3 cc/min.) at 210 Bar (3000 PSI)
Minimum Operating Voltage	90% of rated voltage at 210 Bar (3000 PSI)
Operating Temp. Range (Ambient)	-40°C to +93.3°C (Nitrile) (-40°F to +200°F) -31.7°C to +121.1°C (Fluorocarbon) (-25°F to +250°F)
Cartridge Material	All parts steel. All operating parts hardened steel.
Body Material	Steel or Aluminum
Filtration	ISO Code 16/13, SAE Class 4 or better
Mounting	No restrictions
Cavity	Common Cavity No. C10-2

Performance Curves

Pressure Drop vs. Flow (Through cartridge only)



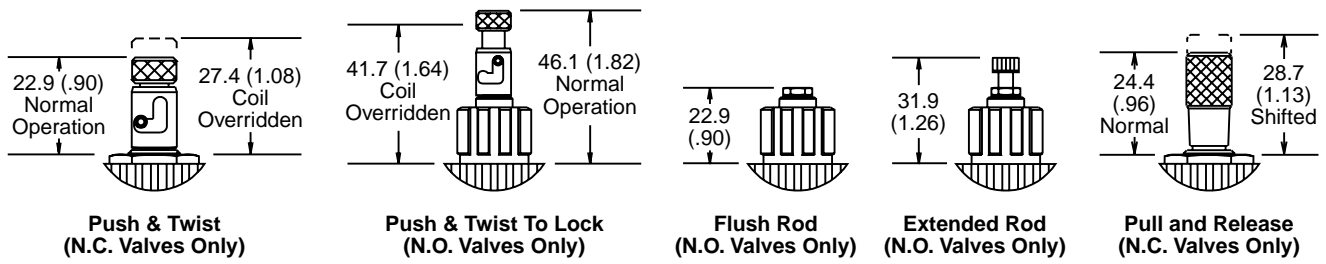
Solenoid Coil Specifications

Voltage	10 VDC	12 VDC	24 VDC	120 VAC	240 VAC
Watts	20	20	20	20	20
Amps	1.45	1.17	0.57	.144	.079

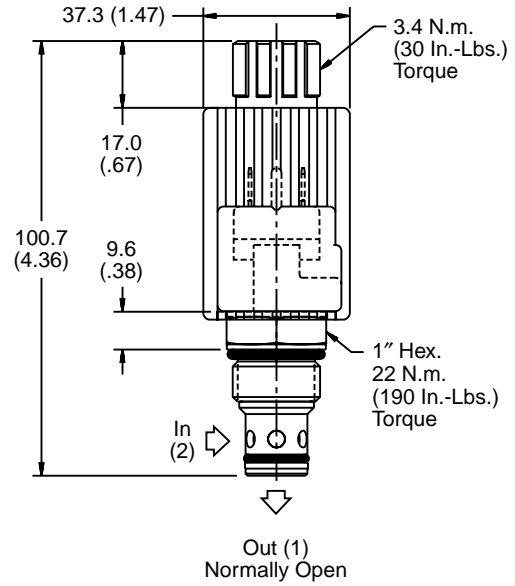
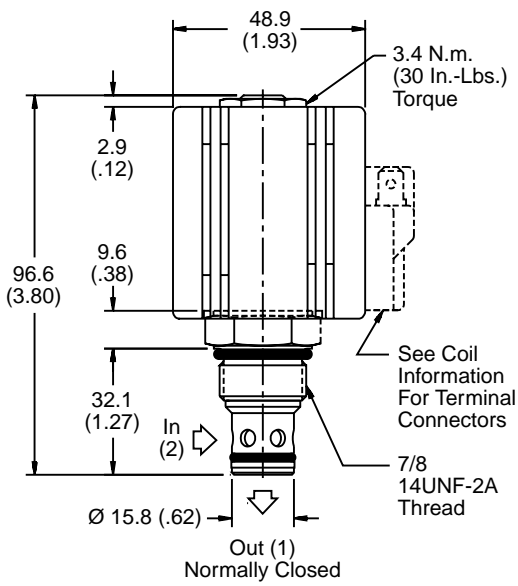
Response Time (at nominal flow, 3000 PSI)	DSL101C & DSL101CR (Normally Closed)	DSL101CH & DSL101CHR (N.C. Fast Res.)	DSL101N & DSL101NR (Normally Open)
Open	80ms	50ms	35ms
Close	150ms	50ms	175ms

Wire Class	"H" for all voltages
A.C. Rectifiers	Integral full wave bridge

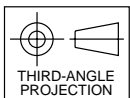
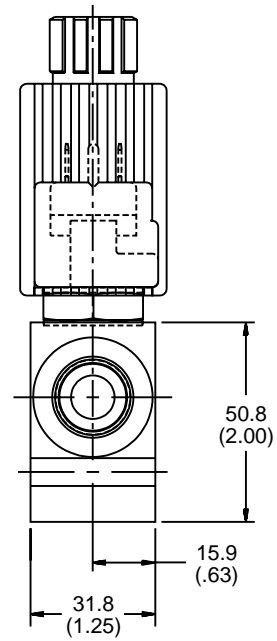
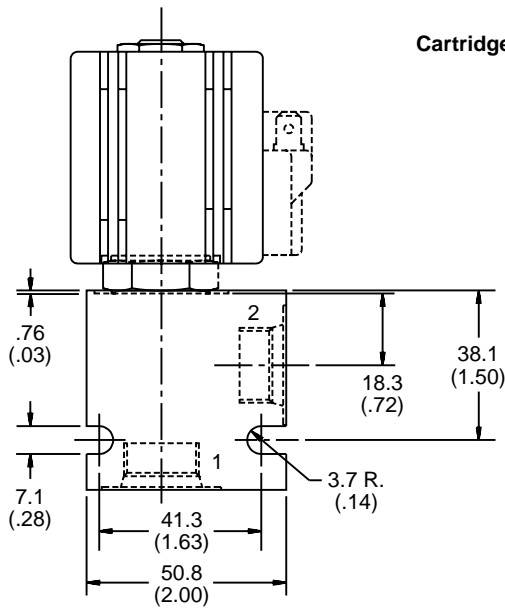
*Inch equivalents for millimeter dimensions are shown in (**)



Cartridge Only



Cartridge In Body



DSL	10	1							
Solenoid Valve	Size	Poppet Type	Style	Override Option	Seals	Coil Voltage	Coil Wattage	Coil Termination	Body Option

Code	Style
10	1 7/8" - 14UNF-2B Threaded Cavity with .625" Dia. Seat

Code	Type
Omit	Nitrile
V	Fluorocarbon

Code	Type
Omit	Cartridge without Coil
L	20 Watt

Code	Description
C	Normally Closed, Metered reverse flow.
CH	Normally Closed, Metered reverse flow. Fast response.
CHR	Normally Closed, Full reverse flow. Fast response.
CR	Normally Closed, Full reverse flow.
N	Normally Open, Metered reverse flow.
NR	Normally Open, Full reverse flow.

Code	Type
Omit	Without Manual Override
E	Push Type Manual Override with Extended Rod (Normally Open Only)
M	Push Type Manual Override with Flush Rod (Normally Open Only)
P	Pull & Release Manual Override (Normally Closed Only)
T	Push & Twist Manual Override

Code	Description
Omit	Cartridge without Coil
D010	10 VDC
D012	12 VDC
D024	24 VDC
A120	120/110 VAC, 60/50 Hz
A240	240/220 VAC, 60/50 Hz

Code	Description
Omit	Cartridge without Coil
C	1/2" NPTF Conduit Connector with 24" 18AWG Wires
D	DIN 43650 (Hirschmann) Plug Face
P	SAE 1B-0.25 SAE Double Spade (DC Only)
W	Double Wire, 24" 18 AWG (DC Only)
WP	Waterproof Double Wire, 24" 16 AWG (DC Only)

Code	Port Size & Material
Omit	Cartridge Only
4P	1/4" NPTF (B10-2-4P) Steel
A4P	1/4" NPTF (B10-2-A4P) Aluminum
6P	3/8" NPTF (B10-2-6P) Steel
A6P	3/8" NPTF (B10-2-A6P) Aluminum
8P	1/2" NPTF (B10-2-8P) Steel
A8P	1/2" NPTF (B10-2-A8P) Aluminum
6T	SAE-6 (B10-2-6T) Steel
A6T	SAE-6 (B10-2-A6T) Aluminum
8T	SAE-8 (B10-2-8T) Steel
A8T	SAE-8 (B10-2-A8T) Aluminum
4B	1/4" BSPG (B10-2-4B) Steel
A4B	1/4" BSPG (B10-2-A4B) Aluminum
6B	3/8" BSPG (B10-2-6B) Steel
A6B	3/8" BSPG (B10-2-A6B) Aluminum
8B	1/2" BSPG (B10-2-8B) Steel
A8B	1/2" BSPG (B10-2-A8B) Aluminum

Shipping Weight
 Cartridge Only .20 kg (0.41 lbs.)
 Cartridge in Body .97 kg (2.11 lbs.)

SERVICE PARTS

Code	Size
S10	5/8" I.D.
SW10	5/8" I.D.

Code	Type
L	20 Watts

Code	Description
C	Conduit
D	DIN 43650
P	Double Spade
S	Double Screw
W	Double Wire
WP	Waterproof Double Wire

Code	Description
D010	10 VDC
D012	12 VDC
D024	24 VDC
A120	120 VAC
A240	240 VAC

DIN Connector:
 Grey — 692914
 Black — 692915

Coil Nut:
 DSL101C, CR, CH — 118127-00
 DSL101N, NR — 118113-00

Nitrile Seal Kit:
 DSL101 — SK10-2

Fluorocarbon Seal Kit:
 DSL101 — SK10-2V

Notes: See Series 10 Coil Data Sheet.
 For other coil voltages and terminations, consult factory.
 S10 Coil applies to all terminations except WP.
 SW10 Coil applies to WP termination only.