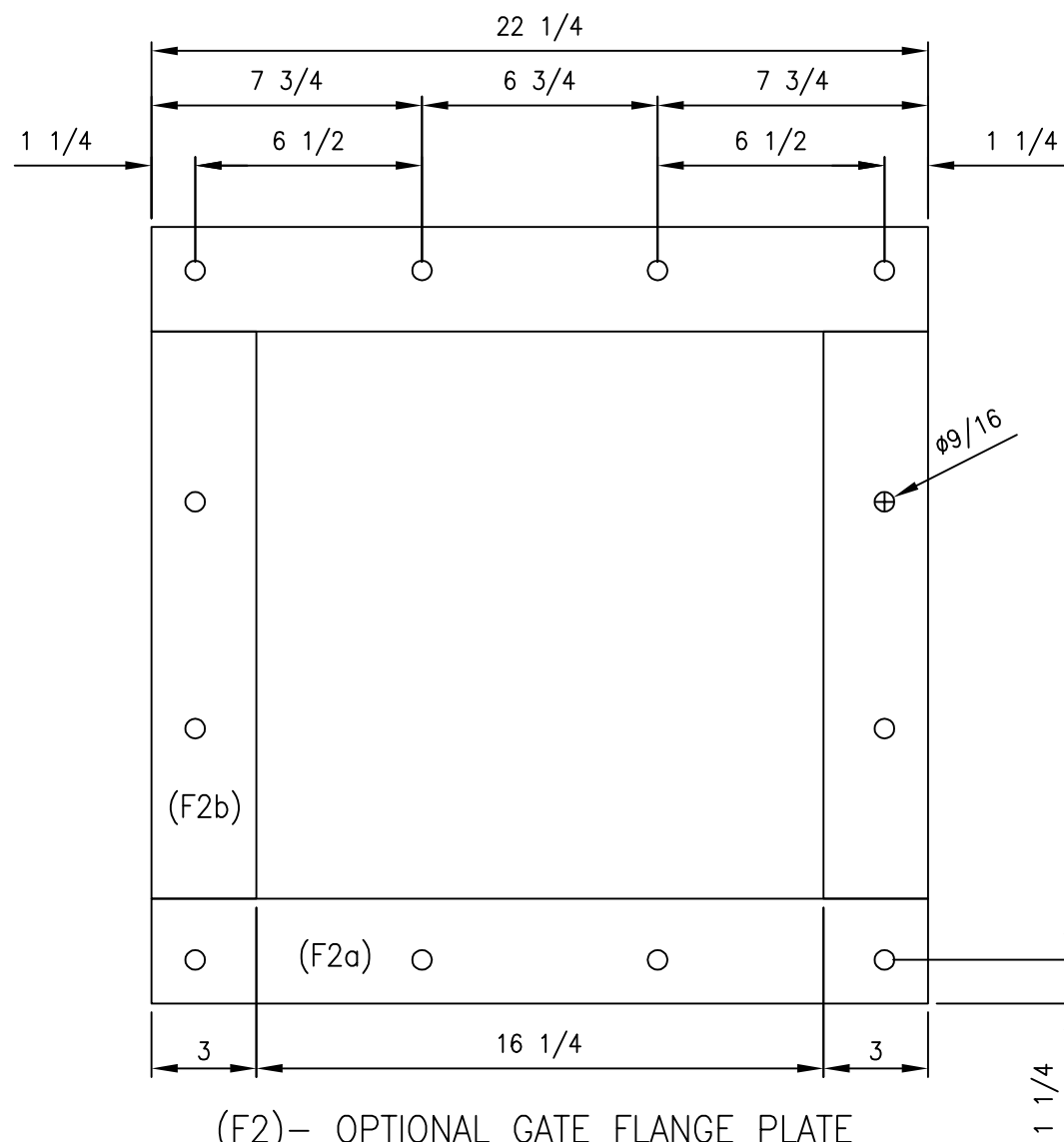
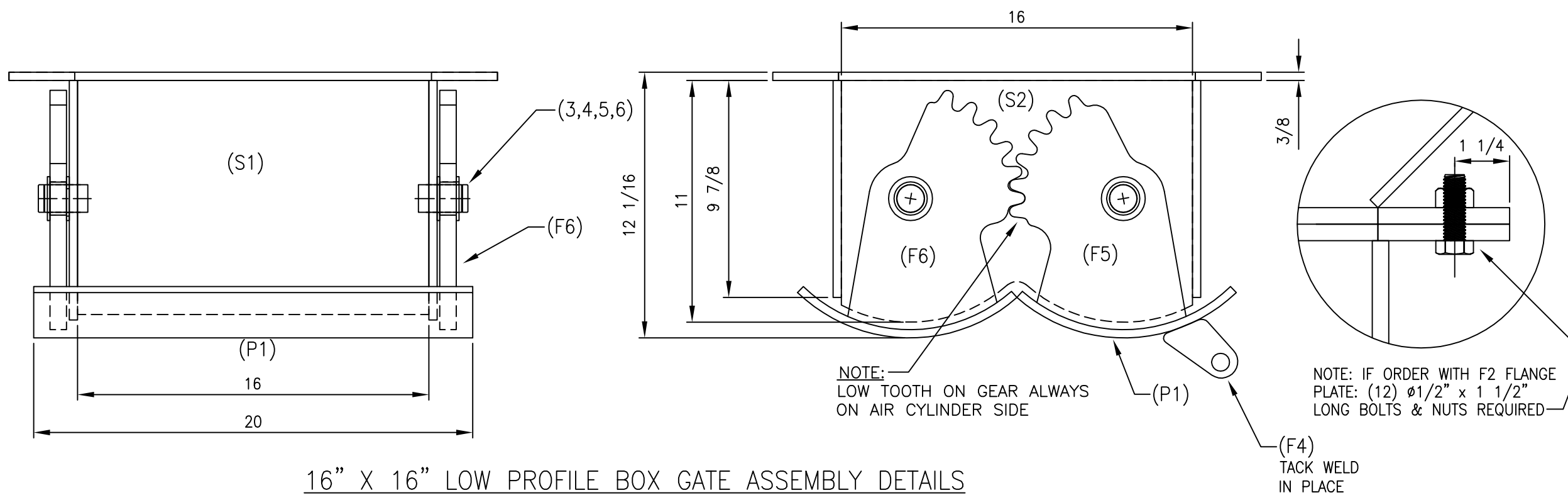


(F1)– GATE FLANGE PLATE
 3/8" FLAT STEEL
 (1) REQ'D



(F2)– OPTIONAL GATE FLANGE PLATE
 3/8" FLAT STEEL
 (1) REQ'D



16" X 16" LOW PROFILE BOX GATE ASSEMBLY DETAILS

NOTE: LOW TOOTH ON GEAR ALWAYS ON AIR CYLINDER SIDE

NOTE: IF ORDER WITH F2 FLANGE PLATE: (12) $\phi 1/2$ " x 1 1/2" LONG BOLTS & NUTS REQUIRED

(F4) TACK WELD IN PLACE